



STOVES 2015 – 2016

---

UNITED KINGDOM



By appointment to The Royal Danish Court

**morsø**

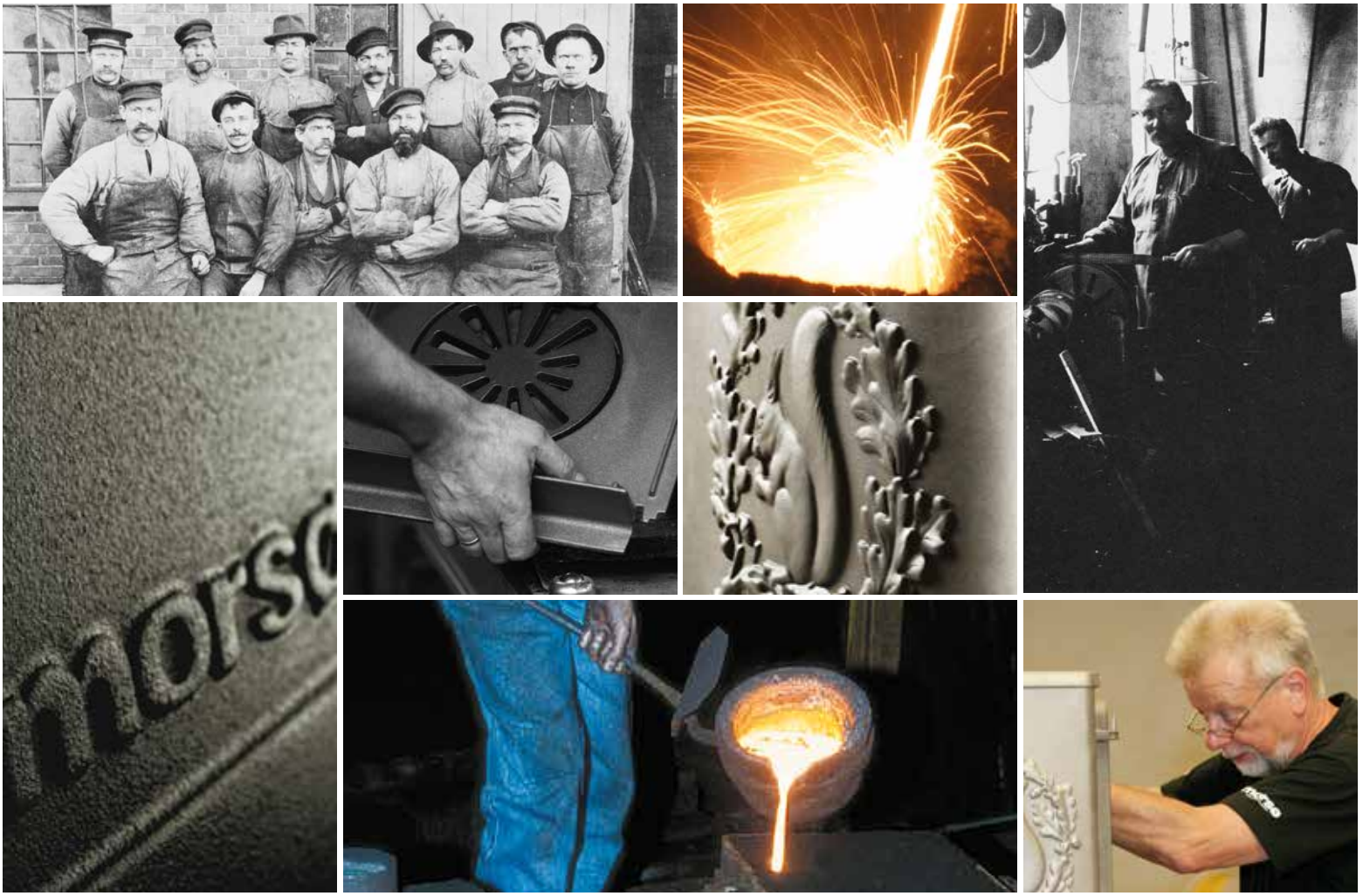
# The definition of hygge

# CONTENTS

---

History.....	4
Morsø makes homelife better .....	6
The original cast iron stove.....	8
8800 series.....	10
8200 series.....	12
8100 series.....	14
7900 series.....	16
7600 series.....	18
7400 series.....	20
7100 Viking.....	24
6643.....	25
6800 series.....	26
6100 series.....	28
3600 series.....	30
2100 Panther.....	31
3400 Owl series.....	32
3100 Badger series.....	34
1630 Dove.....	36
DB15.....	37
1410 Squirrel.....	38
1430/35 Squirrel.....	39
1412 Squirrel.....	40
1442 Squirrel.....	41
1416 series.....	42
S10-70.....	44
S10-40.....	45
S11 series.....	46
S50-40.....	49
Ø series.....	50
Environment.....	52
Accessories.....	58
Hearth pads.....	60

---



## A LONG HISTORY - TOLD IN BRIEF

The history of Morsø Jernstøberi dates all the way back to 1853, when business graduate, N. A. Christensen, started his own iron foundry on the Limfjord island of Mors. In the first few years, the small handful of employees manufactured everything from barn windows and memorial crosses to cooking stoves, pots and pans.

However, N. A. Christensen wasn't just your usual business man. With his well-honed talent for good business and his many creative and forward-thinking ideas, he quickly succeeded in turning the company into one of the country's leading iron foundries, and towards the close of the century, Morsø's cast goods were well-known throughout the country. Especially the popular solid fuel stoves and cooking stoves, which had now become the company's most important brand.

### **Royal warmth**

At the turn of the century, Morsø began supplying heating systems to churches, schools and a number of public buildings, including the state railways and various ministries. And at the start of the 1900s, the popular imperial-style stoves found their way into the royal apartments at Amalienborg. In 1915, various stoves had already been supplied to the palaces at Amalienborg and to several other royal residences, and the company was therefore bestowed the prestigious title of Purveyor to His Majesty the King by King Christian X. Later, in 1969, the title was changed to Purveyor to the Royal Danish Court.



---

### Always in front

Right from the earliest years, development and innovation have been an important driving force for Morsø Jernstøberi. Various history-making products and principles have, therefore, put the beautiful island in Limfjord on the map. For example, the convection principle, which at the turn of the new century was developed in cooperation with other foundries, and which has set completely new standards on how efficiently and especially how comfortably we can heat our homes with a solid fuel stove.

When central heating and, therefore, radiators began

to make their mark in Danish homes in the 1950s, the solid fuel stove was out of fashion. But Morsø showed once again that it had its finger on the pulse, when the revolutionary open fireplace stove, the 1122, was launched. In so doing, Morsø opened up a completely new market and a completely new way of making life warmer. In two senses of the word.

In summary, Morsø has, step by step, led the way in both new designs and new ways of combining form and function; efficiency with beauty and comfort – and also in recent years with environmental awareness.

---



## MORSØ MAKES HOME LIFE BETTER

For more than 160 years, Morsø has spread warmth through our homes, creating special moments of pure happiness, closeness, peace of mind and comfort. When you eventually put this catalog down, the likelihood is you'll be sold. You'll have fallen for Morsø's timeless look. You'll have fallen in love with cast iron's unique properties. And you'll be convinced of our products' obvious advantages for the environment.

But believe us – when you describe your relationship with your Morsø in the future, it won't be the design, the cast iron or its green-friendly impact which will fuel your fondness. By then, it has been an indispensable part of your home. A trusty source of heat, you will love for ease of operation, and the glow of the fire. To choose a Morsø stove, a Morsø pot or an outdoor oven is, in other words, to make a choice for life.



---

### **Morsø Outdoor living - Feel at home outside**

With Morsø Outdoor living we turn up the heat on entertaining outdoors. We have developed a unique collection that makes outdoor living more comfortable, more beautiful and dare we say it more decadent. Yes at Morsø we love fire. We love the way everyone is naturally drawn toward the fascinating, seductive dancing flames. Based on strong traditions, we have created an innovative outdoor world for you, your family and your friends to enjoy, time and time again.

### **Morsø Cooking & Dining**

Going back 160 years Morsø has created cookware in cast iron and demonstrated its superiority as a material for the noble art of cooking over many decades. Morsø has now produced a new stylish series of cookware in functional cast iron pots and pans in beautiful Scandinavian design. We want to make home life better.

mmoriso



## THE ORIGINAL CAST IRON STOVE

---

If you asked 100 random Danish people to name a make of stove, more than 90 of them would without doubt say “Morsø”. With good

reason. For generations, Morsø has been the quintessence of a Danish stove. Timeless and modern at the same time.

---

## WORTH KNOWING ABOUT CAST IRON

---

All stoves want to expand as they get hot. However, cast iron has a thermal tension, which makes the material especially well suited to changing temperatures. The result is that a Morsø cast-iron stove will burn the same tomorrow as it does today.

Morsø's cast iron stoves are not welded but are bound with gasket materials and the plates are bolted together. This gasket material will cushion the expanding plates, for less stress on the castings and will insure that the air tight integrity of the seams is maintained so that there will be less maintenance over the life of the stove.

Cast iron is highly resistant to overheating.

The thickness of the cast iron we use at Morsø ensures that our cast iron stoves retain the heat for a long time.

The ability of cast iron to distribute the heat is high. This means that the heat from a Morsø cast-iron stove always feels comfortable and pleasurable to be near to.

You receive a 10-year guarantee against casting faults and other production faults according to Morsø's warranty conditions.

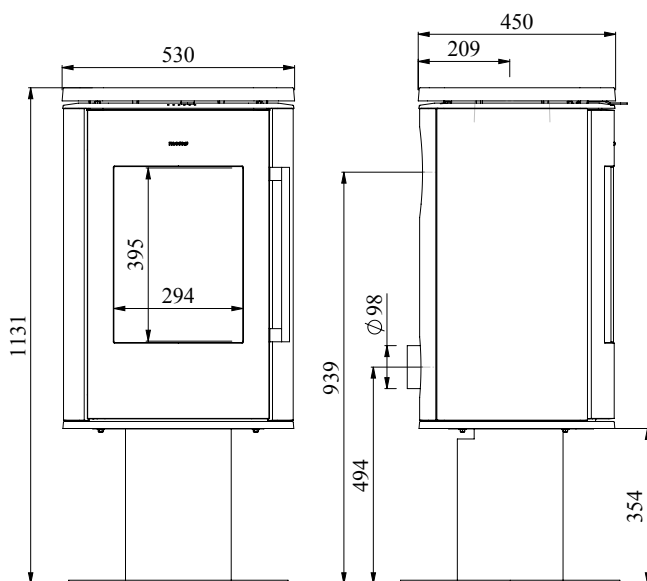
---

**NEW FOR 2015**

**8800 SERIES**



Wood Burning



## 8848



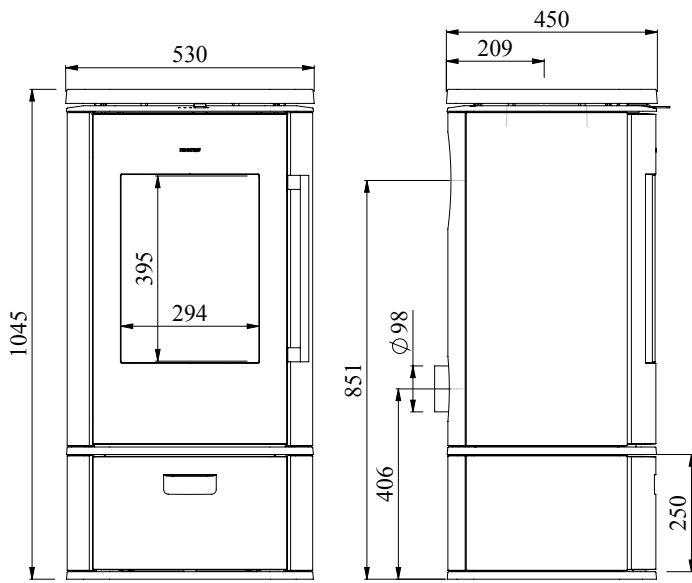
EN 13240 and Norwegian approved

Rated output . . . . . 6,3 kW  
Log length . . . . . 30 cm  
Weight . . . . . 196 kg  
Efficiency net/gross: . . . . . 80,5/73,3%

Flue outlet, rear and top option  
internal  $\varnothing$ . . . . . 150 mm

Clearance to Combustibles  
Top . . . . . 600 mm  
Sides . . . . . 500 mm  
Rear. . . . . 150 mm  
Soft Furniture. . . . . 1100 mm

*Optional outside air kit available*



## 8842

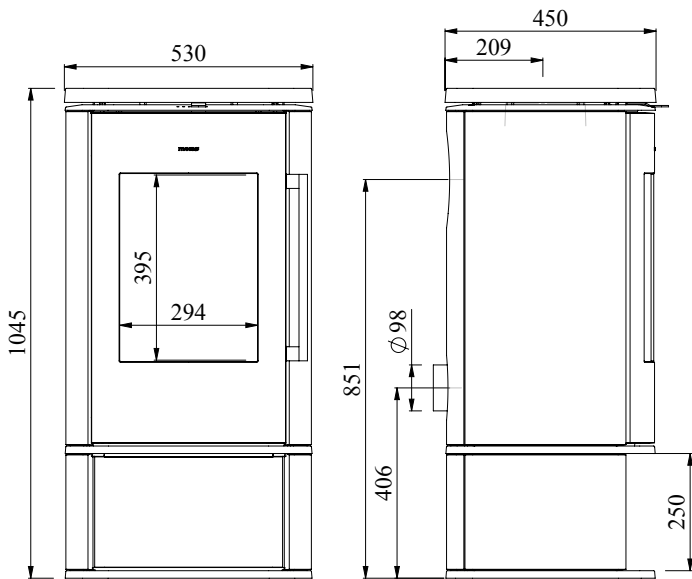
EN 13240 and Norwegian approved

Rated output . . . . . 6,3 kW  
 Log length . . . . . 30 cm  
 Weight . . . . . 201 kg  
 Efficiency net/gross: . . . . . 80,5/73,3%

Flue outlet, rear and top option  
 internal ø. . . . . 150 mm

Clearance to Combustibles  
 Top . . . . . 600 mm  
 Sides . . . . . 500 mm  
 Rear . . . . . 150 mm  
 Soft Furniture . . . . . 1100 mm

*Optional outside air kit available*



## 8843

EN 13240 and Norwegian approved

Rated output . . . . . 6,3 kW  
 Log length . . . . . 30 cm  
 Weight . . . . . 192 kg  
 Efficiency net/gross: . . . . . 80,5/73,3%

Flue outlet, rear and top option  
 internal ø. . . . . 150 mm

Clearance to Combustibles  
 Top . . . . . 600 mm  
 Sides . . . . . 500 mm  
 Rear . . . . . 150 mm  
 Soft Furniture . . . . . 1100 mm

*Optional outside air kit available*



**8842**

Wood Burning



**8843**

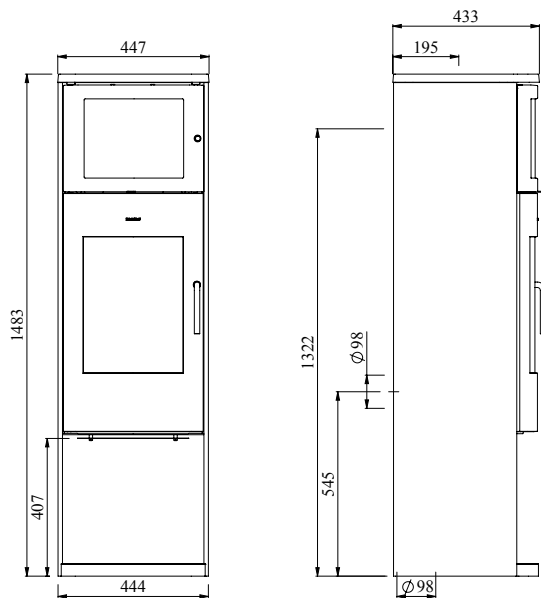
Wood Burning

# NEW FOR 2015

## 8200 SERIES



Wood Burning



### 8229

EN 13240 and Norwegian approved

Rated output . . . . . 6,3 kW  
Log length . . . . . 30 cm  
Weight . . . . . 194 kg  
Efficiency net/gross: . . . . . 80,5/73,3%

Flue outlet, rear and top option  
internal  $\varnothing$ . . . . . 150 mm

Clearance to Combustibles  
Top . . . . . 600 mm  
Sides . . . . . 500 mm  
Rear. . . . . 150 mm  
Soft Furniture. . . . . 1100 mm

*Optional outside air kit available*

# 8200 SERIES



Wood Burning

## 8243

EN 13240 and Norwegian approved

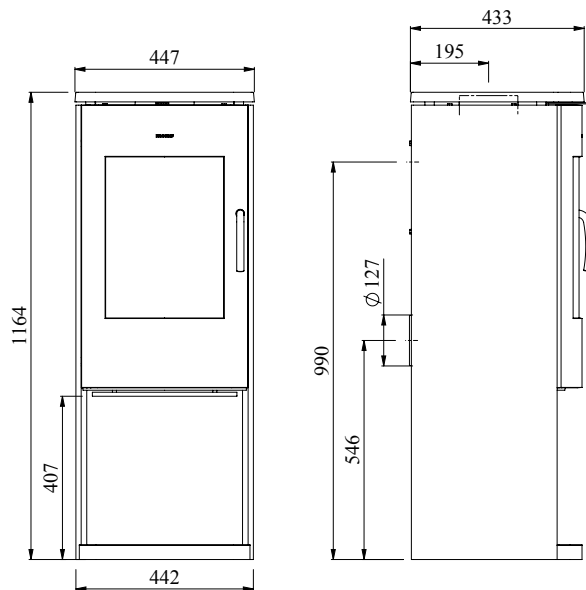
Rated output . . . . . 6,3 kW  
 Log length . . . . . 30 cm  
 Weight . . . . . 117 kg  
 Efficiency net/gross: . . . . . 80,5/73,3%

Flue outlet, rear and top option  
 internal ø. . . . . 150 mm

Clearance to Combustibles

Top . . . . . 600 mm  
 Sides . . . . . 500 mm  
 Rear . . . . . 150 mm  
 Soft Furniture . . . . . 1100 mm

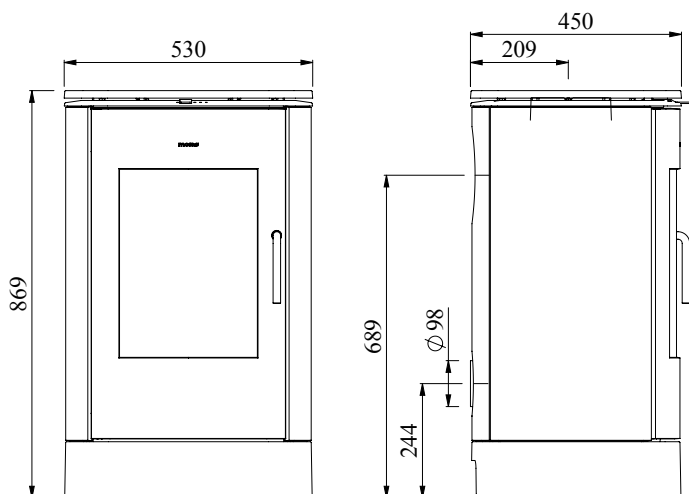
*Optional outside air kit available*



# 8100 SERIES



Wood Burning



## 8140

EN 13240 and Norwegian approved

Rated output . . . . . 6,4 kW  
 Log length . . . . . 30 cm  
 Weight . . . . . 187 kg  
 Efficiency net/gross: . . . . . 80,5/73,3%

Flue outlet, rear and top option  
 internal  $\varnothing$  . . . . . 150 mm

Clearance to Combustibles  
 Top . . . . . 600 mm  
 Sides . . . . . 500 mm  
 Rear . . . . . 150 mm  
 Soft Furniture . . . . . 1100 mm

*Optional outside air kit available*

# 8100 SERIES



Wood Burning

## 8142

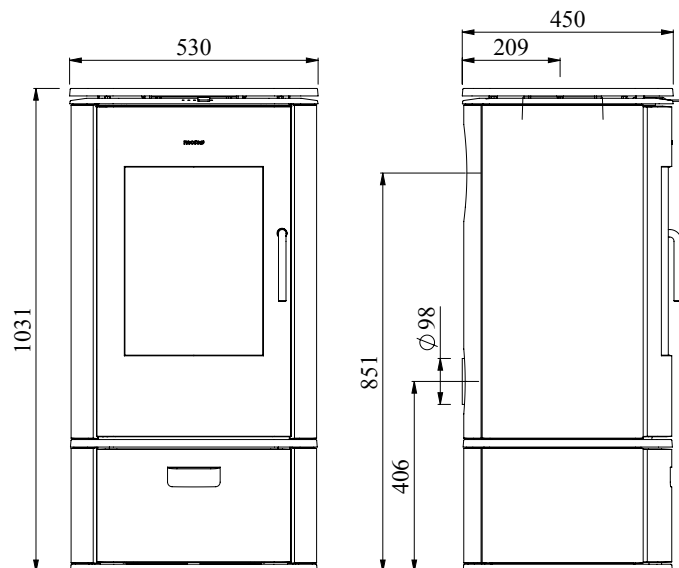
EN 13240 and Norwegian approved

Rated output . . . . . 6,4 kW  
 Log length . . . . . 30 cm  
 Weight . . . . . 187 kg  
 Efficiency net/gross: . . . . . 80,5/73,3%

Flue outlet, rear and top option  
 internal  $\varnothing$ . . . . . 150 mm

Clearance to Combustibles  
 Top . . . . . 600 mm  
 Sides . . . . . 500 mm  
 Rear . . . . . 150 mm  
 Soft Furniture . . . . . 1100 mm

*Optional outside air kit available*



# 7900 SERIES

all models suitable to burn wood in smoke controlled areas



Wood Burning



7940

Wood Burning



7948

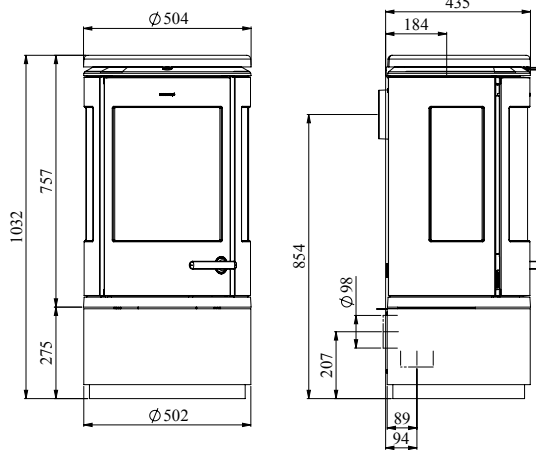
Wood Burning



7990

Wood Burning





## 7940

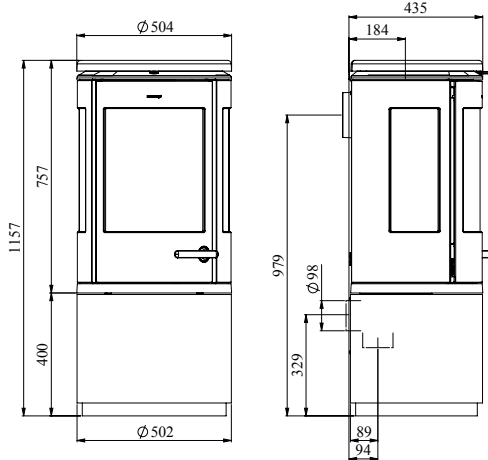
EN 13240 and Norwegian approved

Rated output . . . . . 7,3 kW  
 Log length. . . . . 33 cm  
 Weight . . . . . 152 kg  
 Efficiency net/gross: . . . . . 79/71,9%

Flue outlet, rear and top option  
 internal ø. . . . . 150 mm

Clearance to Combustibles  
 Top . . . . . 500 mm  
 Sides . . . . . 700 mm  
 Rear. . . . . 125 mm  
 Soft Furniture. . . . . 900 mm

*Optional outside air kit available*



## 7943

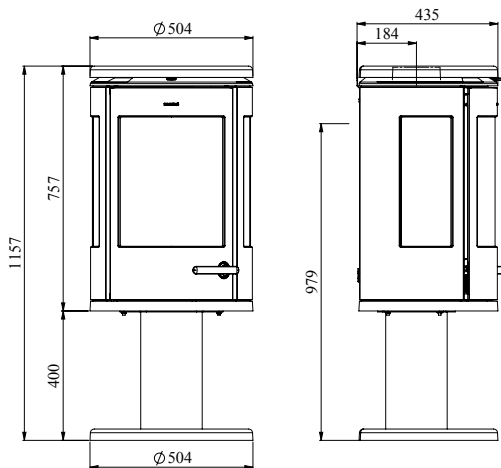
EN 13240 and Norwegian approved

Rated output . . . . . 7,3 kW  
 Log length. . . . . 33 cm  
 Weight . . . . . 162 - 174 kg  
 Efficiency net/gross: . . . . . 79/72%

Flue outlet, rear and top option  
 internal ø. . . . . 150 mm

Clearance to Combustibles  
 Top . . . . . 500 mm  
 Sides . . . . . 700 mm  
 Rear. . . . . 125 mm  
 Soft Furniture. . . . . 900 mm

*Optional outside air kit available*



## 7948

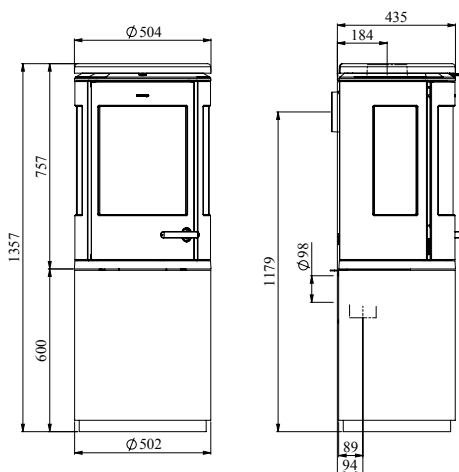
EN 13240 and Norwegian approved

Rated output . . . . . 7,3 kW  
 Log length. . . . . 33 cm  
 Weight . . . . . 156 kg  
 Efficiency net/gross: . . . . . 79/71,9%

Flue outlet, rear and top option  
 internal ø. . . . . 150 mm

Clearance to Combustibles  
 Top . . . . . 500 mm  
 Sides . . . . . 700 mm  
 Rear. . . . . 125 mm  
 Soft Furniture. . . . . 900 mm

*Optional outside air kit available*



## 7990

EN 13240 and Norwegian approved

Rated output . . . . . 7,3 kW  
 Log length. . . . . 33 cm  
 Weight . . . . . 189 kg  
 Efficiency net/gross: . . . . . 79/71,9%

Flue outlet, rear and top option  
 internal ø. . . . . 150 mm

Clearance to Combustibles  
 Top . . . . . 500 mm  
 Sides . . . . . 700 mm  
 Rear. . . . . 125 mm  
 Soft Furniture. . . . . 900 mm

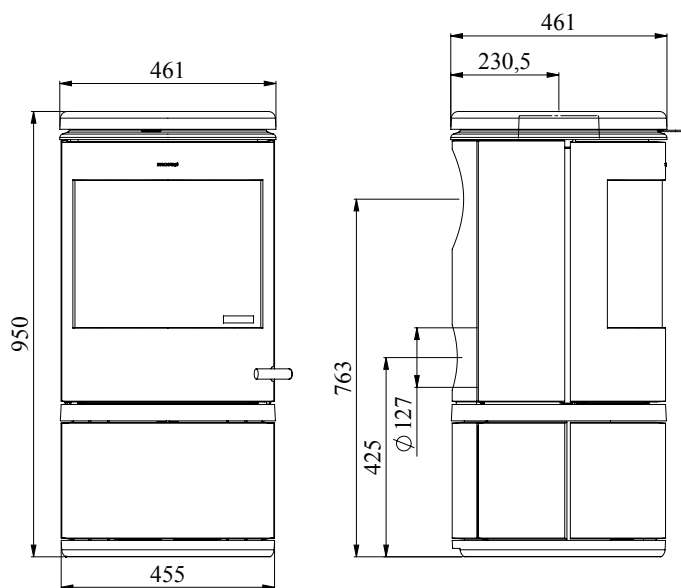
*Optional outside air kit available*

# 7600 SERIES

all models suitable to burn wood in smoke controlled areas



Wood Burning



## 7642

EN 13240 and Norwegian approved

Rated output . . . . . 6,2 kW  
Log length . . . . . 30 cm  
Weight . . . . . 156 kg  
Efficiency net/gross: . . . . . 75,9/69,1%

Flue outlet, rear and top option  
internal  $\varnothing$  . . . . . 150 mm

Clearance to Combustibles  
Top . . . . . 600 mm  
Sides . . . . . 500 mm  
Rear . . . . . 150 mm  
Soft Furniture . . . . . 1200 mm

*Optional outside air kit available*

# 7600 SERIES

all models suitable to burn wood in smoke controlled areas



Wood Burning

## 7648

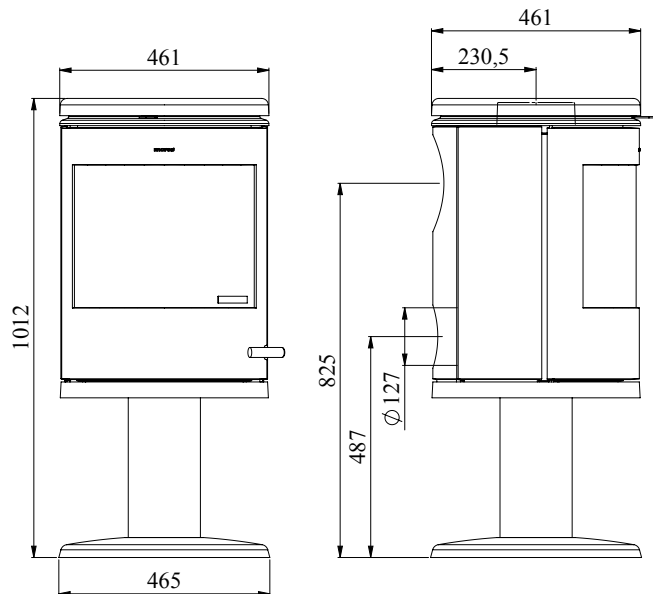
EN 13240 and Norwegian approved

Rated output . . . . . 6,2 kW  
 Log length . . . . . 30 cm  
 Weight . . . . . 136 kg  
 Efficiency net/gross: . . . . . 75,9/69,1%

Flue outlet, rear and top option  
 internal ø. . . . . 150 mm

Clearance to Combustibles  
 Top . . . . . 600 mm  
 Sides . . . . . 500 mm  
 Rear . . . . . 150 mm  
 Soft Furniture . . . . . 1200 mm

*Optional outside air kit available*

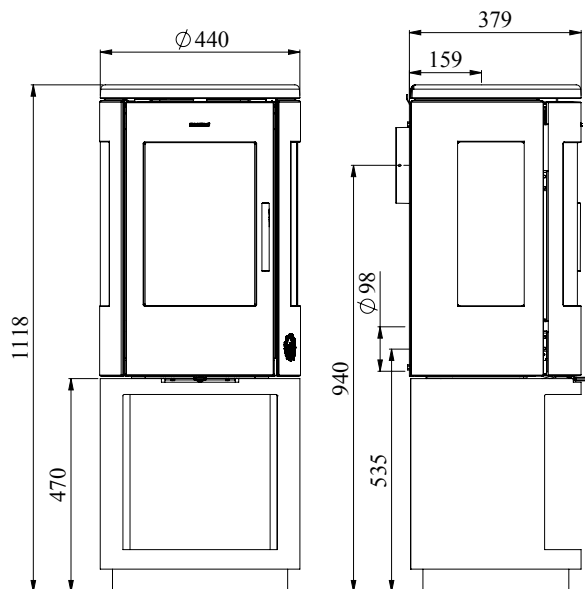


# 7400 SERIES

all models suitable to burn wood in smoke controlled areas



Wood Burning



## 7443

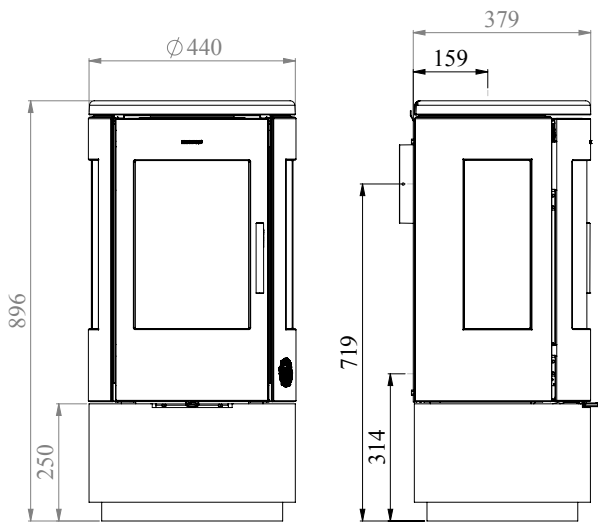
EN 13240 and Norwegian approved

Rated output . . . . . 4,3 kW  
Log length . . . . . 23 cm  
Weight . . . . . 109 kg  
Efficiency net/gross: . . . . . 82/74,5%

Flue outlet, rear and top option  
internal  $\varnothing$ . . . . . 125/150 mm

Clearance to Combustibles  
Top . . . . . 500 mm  
Sides . . . . . 450 mm  
Rear. . . . . 200 mm  
Soft Furniture. . . . . 850 mm

*Optional outside air kit available*



## 7440

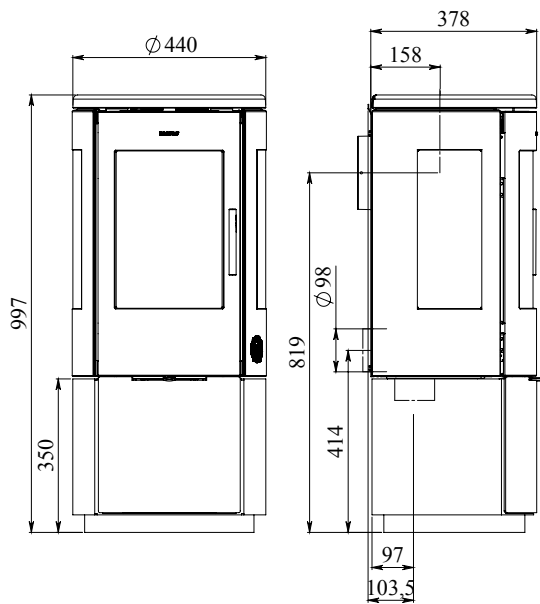
EN 13240 and Norwegian approved

Rated output . . . . . 4,3 kW  
 Log length. . . . . 23 cm  
 Weight . . . . . 105 kg  
 Efficiency net/gross: . . . . . 82/74,5%

Flue outlet, rear and top option  
 internal ø. . . . . 125/150 mm

Clearance to Combustibles  
 Top . . . . . 500 mm  
 Sides . . . . . 450 mm  
 Rear. . . . . 200 mm  
 Soft Furniture. . . . . 850 mm

*Optional outside air kit available*



## 7442

EN 13240 and Norwegian approved

Rated output . . . . . 4,3 kW  
 Log length. . . . . 23 cm  
 Weight . . . . . 116 kg  
 Efficiency net/gross: . . . . . 72/74,5%

Flue outlet, rear and top option  
 internal ø. . . . . 125/150 mm

Clearance to Combustibles  
 Top . . . . . 500 mm  
 Sides . . . . . 450 mm  
 Rear. . . . . 200 mm  
 Soft Furniture. . . . . 850 mm

*Optional outside air kit available*



**7440**

Wood Burning



**7442**

Wood Burning

# 7400 SERIES

all models suitable to burn wood in smoke controlled areas



Wood Burning



**7448**

Wood Burning



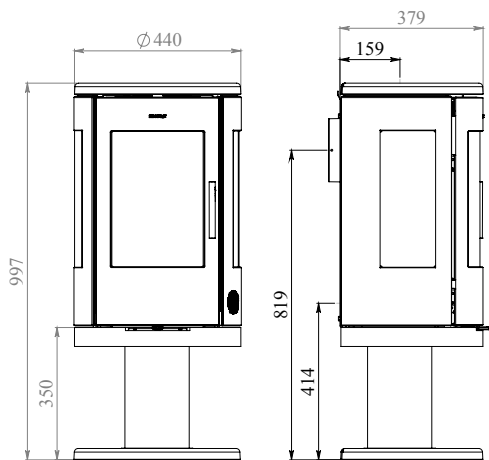
**7449**

Wood Burning



**7493**

Wood Burning



## 7448

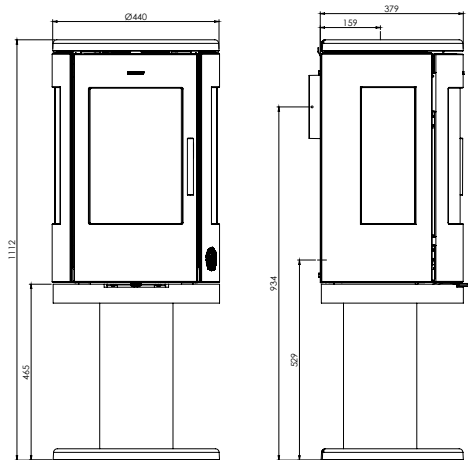
EN 13240 and Norwegian approved

Rated output . . . . . 4,3 kW  
 Log length. . . . . 23 cm  
 Weight . . . . . 110 kg  
 Efficiency net/gross: . . . . . 82/74,5%

Flue outlet, rear and top option  
 internal ø. . . . . 125/150 mm

Clearance to Combustibles  
 Top . . . . . 500 mm  
 Sides . . . . . 450 mm  
 Rear. . . . . 200 mm  
 Soft Furniture. . . . . 850 mm

*Optional outside air kit available*



## 7449

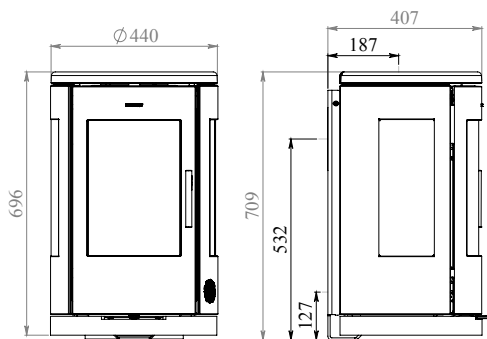
EN 13240 and Norwegian approved

Rated output . . . . . 4,3 kW  
 Log length. . . . . 23 cm  
 Weight . . . . . 100 kg  
 Efficiency net/gross: . . . . . 82/74,5%

Flue outlet, rear and top option  
 internal ø. . . . . 125/150 mm

Clearance to Combustibles  
 Top . . . . . 500 mm  
 Sides . . . . . 450 mm  
 Rear. . . . . 200 mm  
 Soft Furniture. . . . . 850 mm

*Optional outside air kit available*



## 7470

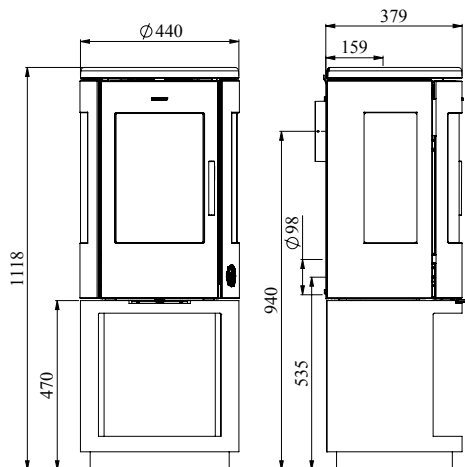
EN 13240 and Norwegian approved

Rated output . . . . . 4,3 kW  
 Log length. . . . . 23 cm  
 Weight . . . . . 108 kg  
 Efficiency net/gross: . . . . . 82,3/74,8%

Flue outlet, rear and top option  
 internal ø. . . . . 125/150 mm

Clearance to Combustibles  
 Top . . . . . 500 mm  
 Sides . . . . . 450 mm  
 Rear. . . . . 200 mm  
 Soft Furniture. . . . . 850 mm

*Optional outside air kit available*



## 7493

EN 13240 and Norwegian approved

Rated output . . . . . 4,3 kW  
 Log length. . . . . 23 cm  
 Weight . . . . . 100 kg  
 Efficiency net/gross: . . . . . 82/74,5%

Flue outlet, rear and top option  
 internal ø. . . . . 125/150 mm

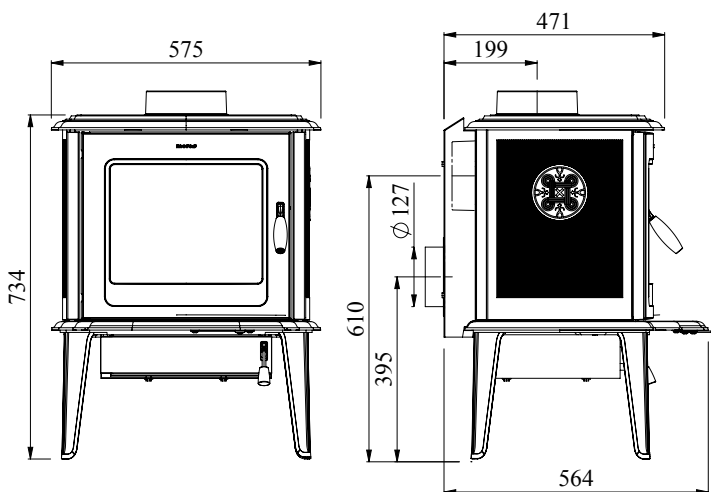
Clearance to Combustibles  
 Top . . . . . 500 mm  
 Sides . . . . . 450 mm  
 Rear. . . . . 200 mm  
 Soft Furniture. . . . . 850 mm

*Optional outside air kit available*

# 7100 VIKING



Wood Burning



## 7110 Viking

EN 13240 and Norwegian approved

Rated output . . . . . 5,4 kW  
 Log length . . . . . 40 cm  
 Weight . . . . . 140 kg  
 Efficiency net/gross: . . . . . 75,5/68,7%

Flue outlet, rear and top option  
 internal  $\varnothing$ . . . . . 150 mm

Clearance to Combustibles  
 Top . . . . . 500 mm  
 Sides . . . . . 500 mm  
 Rear. . . . . 300 mm  
 Soft Furniture. . . . . 1000 mm

*Optional outside air kit available*



6643



Wood Burning

**6643**

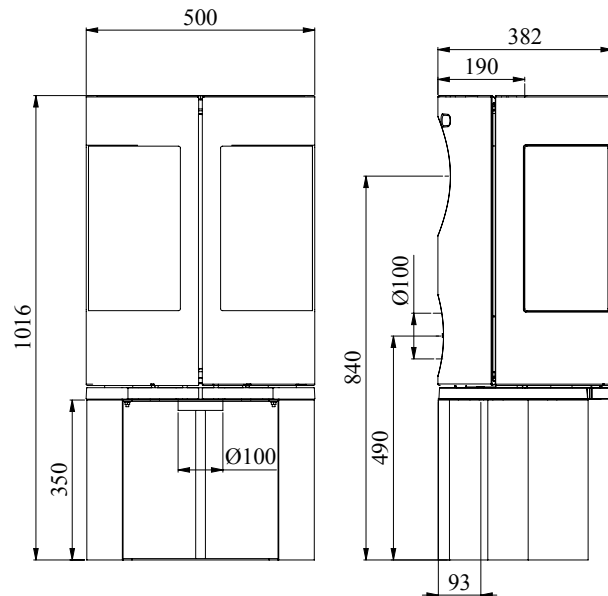
EN 13240 and Norwegian approved

Rated output . . . . . 6,3 kW  
 Log length . . . . . 35 cm  
 Weight . . . . . 140 kg  
 Efficiency net/gross: . . . . . 00%

Flue outlet, rear and top option  
 internal ø. . . . . 150 mm

Clearance to Combustibles  
 Top . . . . . 600 mm  
 Sides . . . . . 500 mm  
 Rear . . . . . 150 mm  
 Soft Furniture . . . . . 800 mm

*Optional outside air kit available*



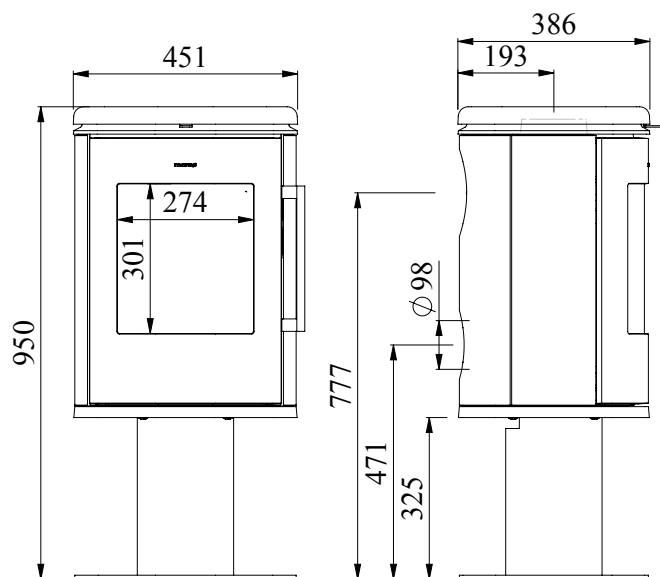
**NEW FOR 2015**

## 6800 SERIES

all models suitable to burn wood in smoke controlled areas



Wood Burning



### 6848

EN 13240 and Norwegian approved

Rated output . . . . . 5 kW  
Log length . . . . . 30 cm  
Weight . . . . . 125 kg  
Efficiency net/gross: . . . . . 80.1/72.9%

Flue outlet, rear and top option  
internal  $\phi$ . . . . . 125 mm

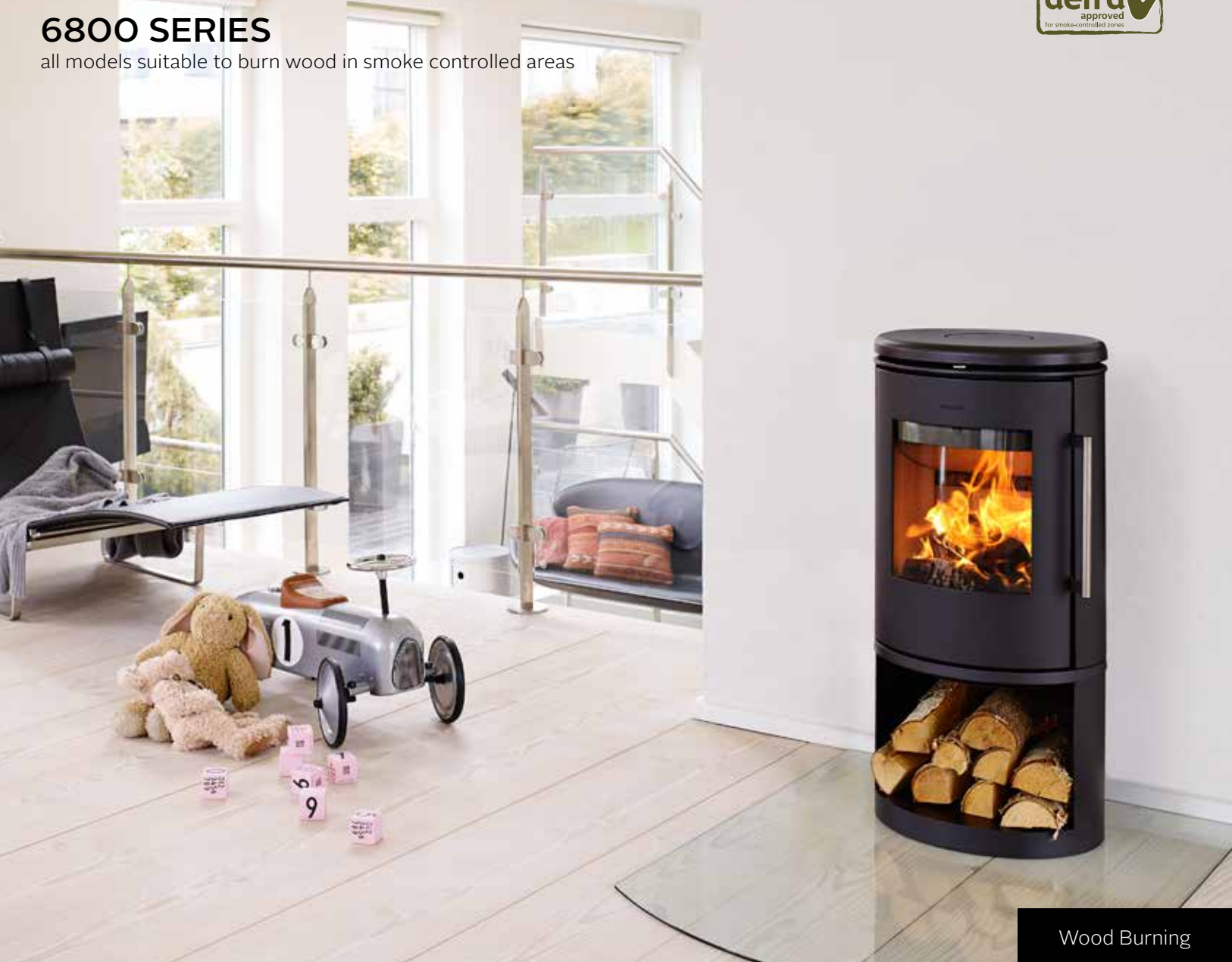
Clearance to Combustibles  
Top . . . . . 600 mm  
Sides . . . . . 400 mm  
Rear. . . . . 150 mm  
Soft Furniture. . . . . 900 mm

*Optional outside air kit available*

# NEW FOR 2015

## 6800 SERIES

all models suitable to burn wood in smoke controlled areas



Wood Burning

### 6843

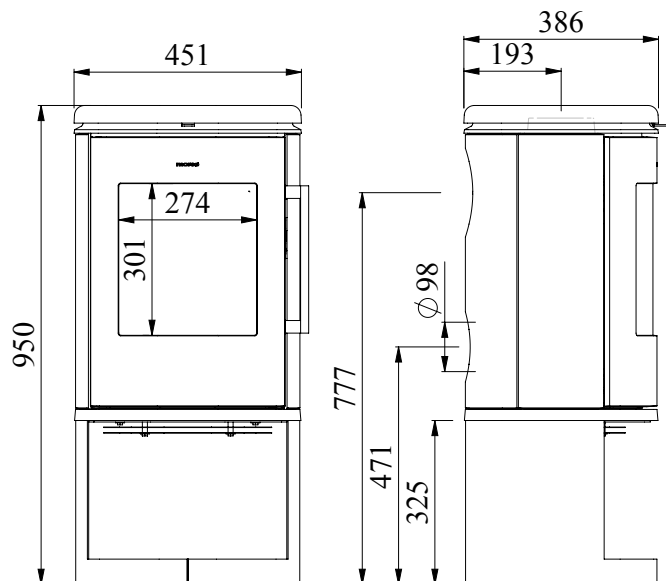
EN 13240 and Norwegian approved

Rated output . . . . . 5 kW  
Log length . . . . . 30 cm  
Weight . . . . . 121 kg  
Efficiency net/gross: . . . . . 80.1/72.9%

Flue outlet, rear and top option  
internal  $\varnothing$ . . . . . 125 mm

Clearance to Combustibles  
Top . . . . . 600 mm  
Sides . . . . . 400 mm  
Rear . . . . . 150 mm  
Soft Furniture . . . . . 900 mm

Optional outside air kit available



# 6100 SERIES

all models suitable to burn wood in smoke controlled areas



Wood Burning



6141

Wood Burning



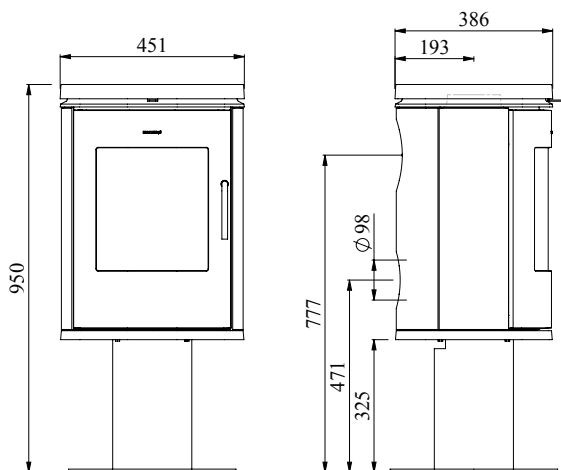
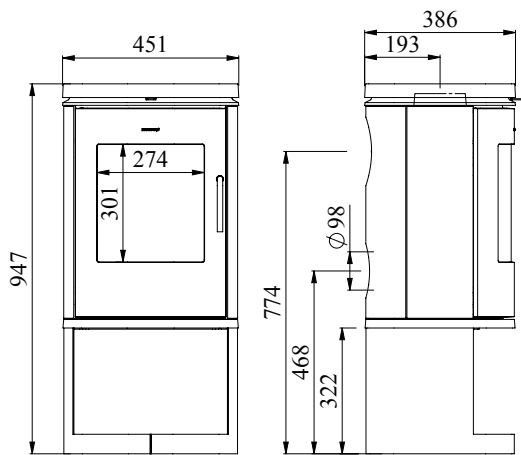
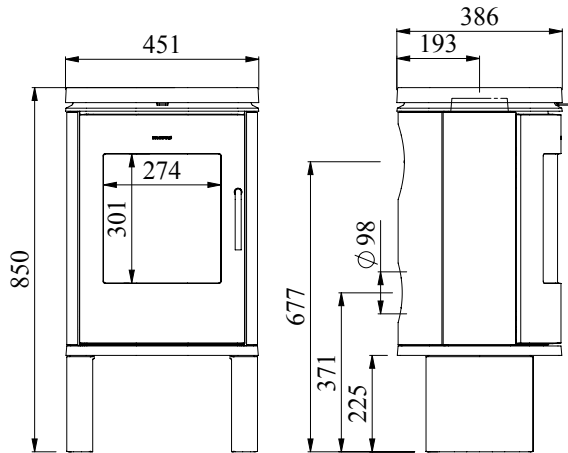
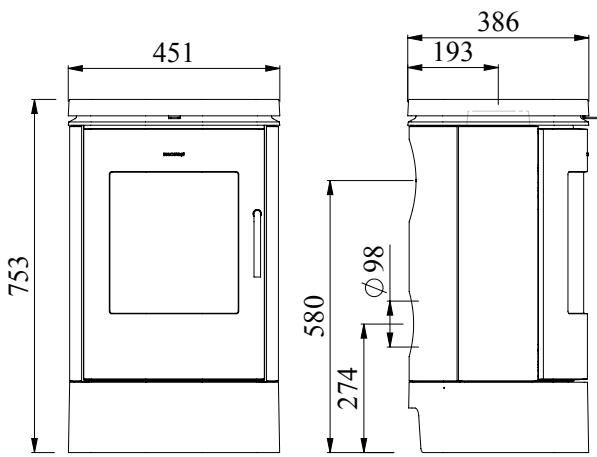
6143

Wood Burning



6148

Wood Burning



## 6140

EN 13240 and Norwegian approved

Rated output . . . . . 5 kW  
 Log length. . . . . 30 cm  
 Weight . . . . . 105 kg  
 Efficiency net/gross: . . . . . 80.1/72.9%

Flue outlet, rear and top option  
 internal  $\emptyset$ . . . . . 125 mm

Clearance to Combustibles  
 Top . . . . . 600 mm  
 Sides . . . . . 400 mm  
 Rear. . . . . 150 mm  
 Soft Furniture. . . . . 900 mm

*Optional outside air kit available*

## 6141

EN 13240 and Norwegian approved

Rated output . . . . . 5 kW  
 Log length. . . . . 30 cm  
 Weight . . . . . 110 kg  
 Efficiency net/gross: . . . . . 80.1/72.9%

Flue outlet, rear and top option  
 internal  $\emptyset$ . . . . . 125 mm

Clearance to Combustibles  
 Top . . . . . 600 mm  
 Sides . . . . . 400 mm  
 Rear. . . . . 150 mm  
 Soft Furniture. . . . . 900 mm

*Optional outside air kit available*

## 6143

EN 13240 and Norwegian approved

Rated output . . . . . 5 kW  
 Log length. . . . . 30 cm  
 Weight . . . . . 112 kg  
 Efficiency net/gross: . . . . . 80.1/72.9%

Flue outlet, rear and top option  
 internal  $\emptyset$ . . . . . 125 mm

Clearance to Combustibles  
 Top . . . . . 600 mm  
 Sides . . . . . 400 mm  
 Rear. . . . . 150 mm  
 Soft Furniture. . . . . 900 mm

*Optional outside air kit available*

## 6148

EN 13240 and Norwegian approved

Rated output . . . . . 5 kW  
 Log length. . . . . 30 cm  
 Weight . . . . . 111 kg  
 Efficiency net/gross: . . . . . 80.1/72.9%

Flue outlet, rear and top option  
 internal  $\emptyset$ . . . . . 125 mm

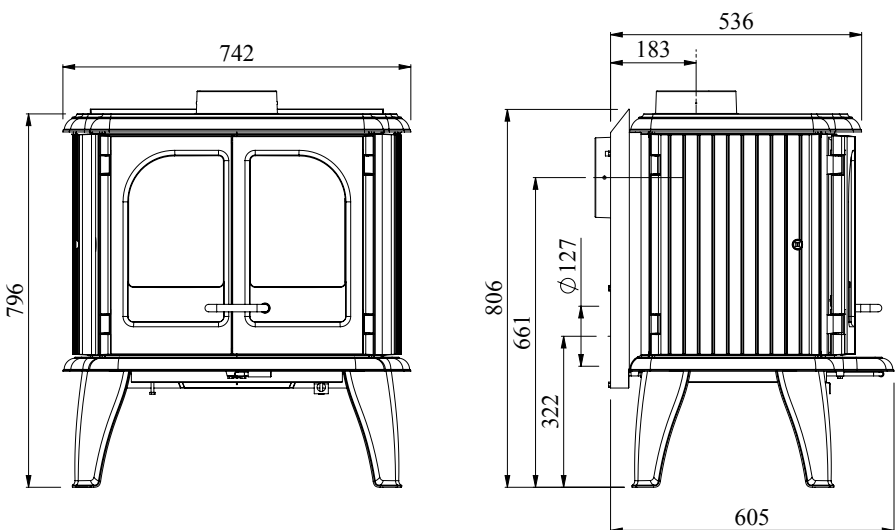
Clearance to Combustibles  
 Top . . . . . 600 mm  
 Sides . . . . . 400 mm  
 Rear. . . . . 150 mm  
 Soft Furniture. . . . . 900 mm

*Optional outside air kit available*

3600



Wood Burning



### 3610

EN 13240 and Norwegian approved

Rated output . . . . . 9,8 kW  
 Log length . . . . . 55 cm  
 Weight . . . . . 220 kg  
 Efficiency net/gross: . . . . . 74/67.3%

Flue outlet, rear and top option  
 internal  $\varnothing$ . . . . . 150 mm

Clearance to Combustibles  
 Top . . . . . 600 mm  
 Sides . . . . . 400 mm  
 Rear . . . . . 200 mm  
 Soft Furniture . . . . . 1000 mm

*Optional outside air kit available*

# 2100 PANTHER



Multifuel

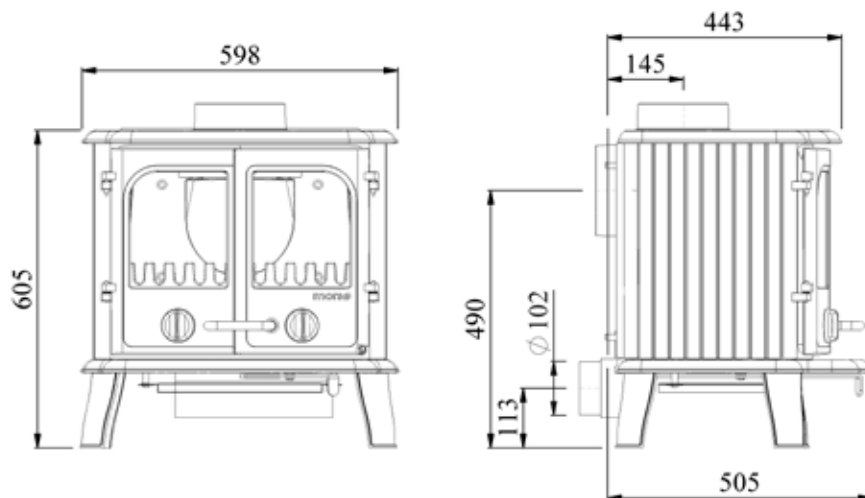
## 2110 Panther Radiant

EN 13240 and Norwegian approved

Rated output . . . . . 8 kW  
 Log length . . . . . 40 cm  
 Weight . . . . . 120 kg  
 Efficiency net/gross: . . . . . 72/65,5%

Flue outlet, rear and top option  
 internal ø. . . . . 155 mm

Clearance to Combustibles  
 Top . . . . . 500 mm  
 Sides . . . . . 550 mm  
 Rear . . . . . 150 mm  
 Soft Furniture . . . . . 800 mm

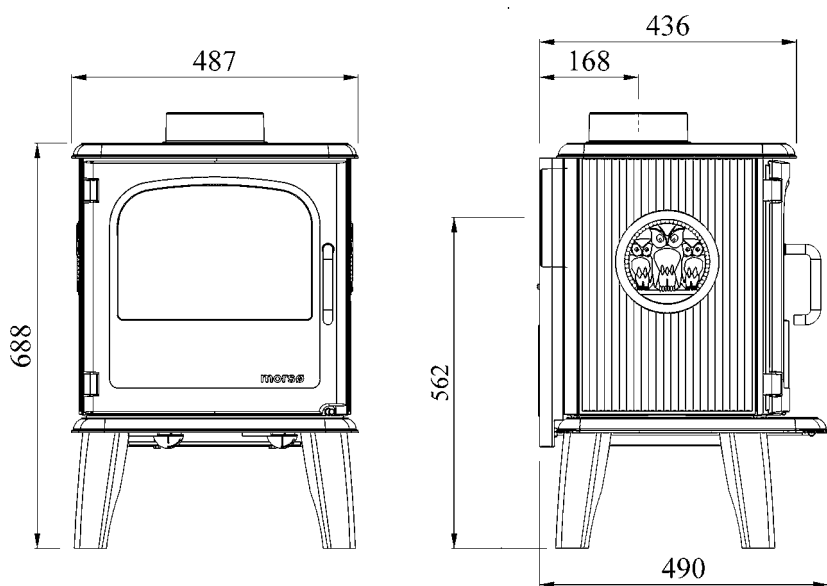


# 3400 OWL SERIES

all models suitable to burn wood in smoke controlled areas



Multifuel



## 3410 / 3420 Owl Radiant

EN 13240 and Norwegian approved

Rated output . . . . . 6,5 kW  
 Log length . . . . . 36 cm  
 Weight . . . . . 100 kg  
 Efficiency net/gross: . . . . . 80.1/72.9%

Flue outlet, rear and top option  
 internal ø. . . . . 155 mm

Clearance to Combustibles  
 Top . . . . . 600 mm  
 Sides . . . . . 600 mm  
 Rear . . . . . 200 mm  
 Soft Furniture . . . . . 800 mm



# 3400 OWL SERIES

all models suitable to burn wood in smoke controlled areas



Multifuel

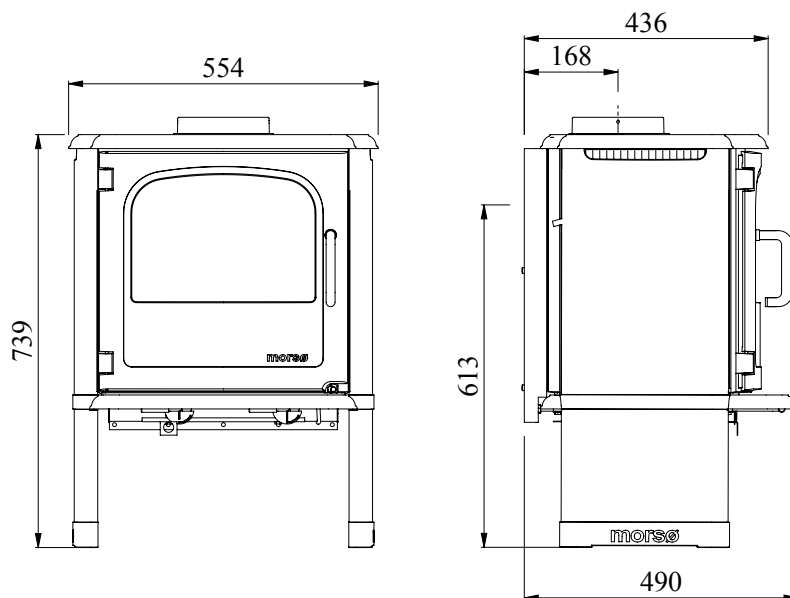
## 3440 Owl Convector

EN 13240 and Norwegian approved

Rated output . . . . . 6,5 kW  
 Log length . . . . . 36 cm  
 Weight . . . . . 116 kg  
 Efficiency net/gross: . . . . . 80,1/72,9%

Flue outlet, rear and top option  
 internal ø. . . . . 155 mm

Clearance to Combustibles  
 Top . . . . . 600 mm  
 Sides . . . . . 350 mm  
 Rear . . . . . 200 mm  
 Soft Furniture . . . . . 800 mm

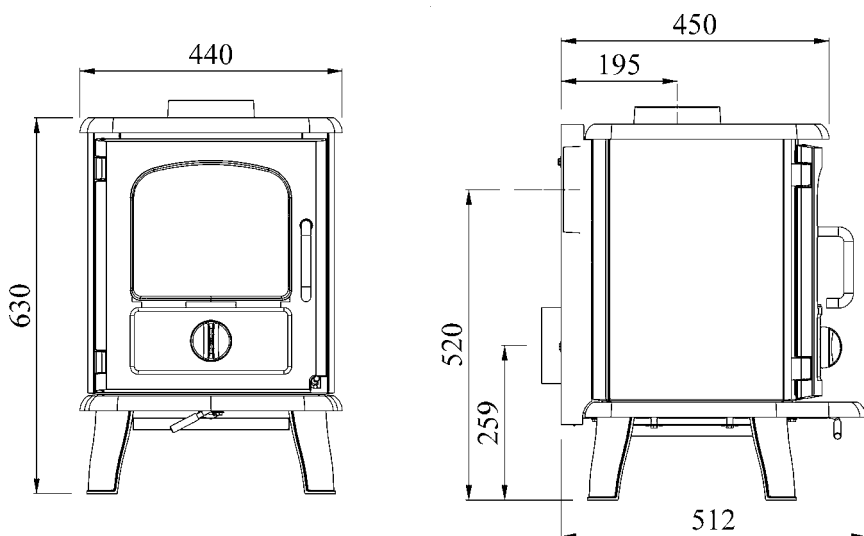


# 3100 BADGER SERIES

all models suitable to burn wood in smoke controlled areas



Multifuel



## 3112 Badger Radiant

EN 13240 and Norwegian approved

Rated output . . . . . 5 kW  
 Log length . . . . . 32 cm  
 Weight . . . . . 95 kg  
 Efficiency net/gross: . . . . . 81/73,7%

Flue outlet, rear and top option  
 internal ø. . . . . 125 mm

Clearance to Combustibles  
 Top . . . . . 600 mm  
 Sides . . . . . 600 mm  
 Rear. . . . . 200 mm  
 Soft Furniture. . . . . 800 mm

*\*Optional outside air kit available  
 (to use stove as woodburner only)*

# 3100 BADGER SERIES

all models suitable to burn wood in smoke controlled areas



Multifuel

## 3142 Badger Convector

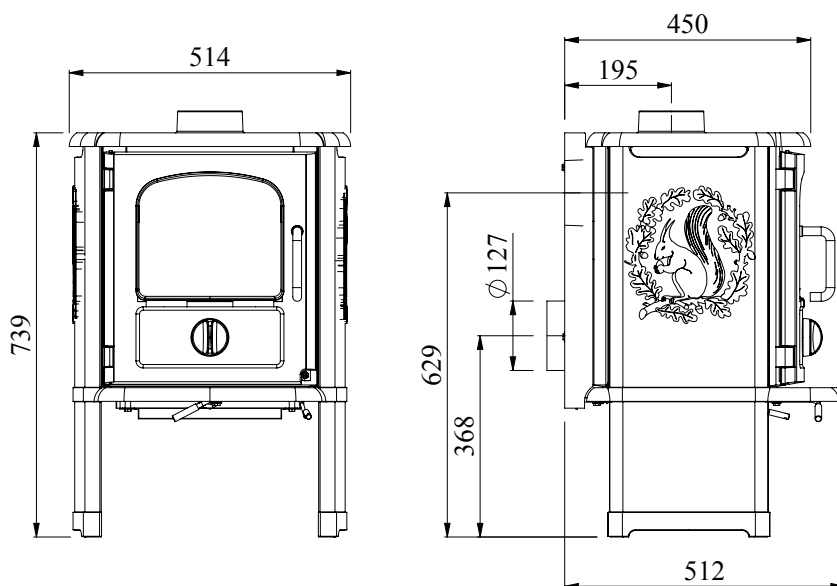
EN 13240 and Norwegian approved

Rated output . . . . . 5 kW  
 Log length . . . . . 32 cm  
 Weight . . . . . 120 kg  
 Efficiency net/gross: . . . . . 81/73,7%

Flue outlet, rear and top option  
 internal ø. . . . . 125 mm

Clearance to Combustibles  
 Top . . . . . 600 mm  
 Sides . . . . . 400 mm  
 Rear . . . . . 200 mm  
 Soft Furniture . . . . . 800 mm

*\*Optional outside air kit available  
 (to use stove as woodburner only)*



# 1630 DOVE



Multifuel

Two models available - one dry and one drilled to take optional 34000BTU boiler

## 1630 Dove

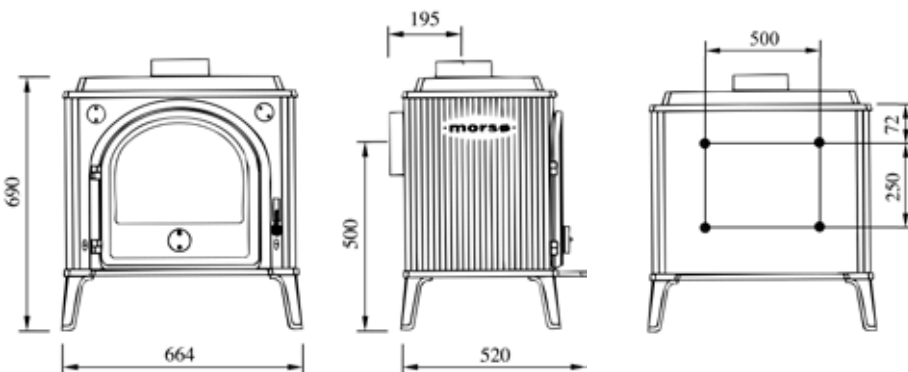
EN 13240 and Norwegian approved

Rated output . . . . . 10,5 kW  
 Log length. . . . . 40 cm  
 Weight . . . . . 122 kg  
 Efficiency net/gross: . . . . . 74/64,3%

Flue outlet, rear and top option  
 internal ø. . . . . 150 mm

Optional boiler for Morsø 1630 Dove: 34000 BTU  
 Tappings locations:  
 Horizontal centreline . . . . . 500 mm  
 From top to centreline . . . . . 72 mm  
 Vertical centreline . . . . . 250 mm

Clearance to Combustibles  
 Top . . . . . 600 mm  
 Sides . . . . . 550 mm  
 Rear. . . . . 800 mm  
 Soft Furniture. . . . . 800 mm



# DB15

suitable to burn wood in smoke controlled areas



Multifuel

Two models available - one multifuel and one wood only

## DB15

EN 13240 and Norwegian approved

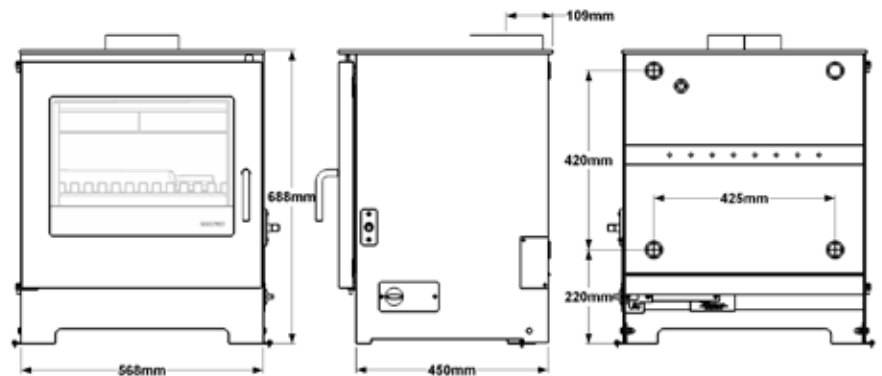
- Rated output Room\* . . . . . 5.7 - 8.9 kW
  - Rated output Boiler\*. . . . . 6.3 - 8.8 kW
  - Log length. . . . . 38 cm
  - Weight . . . . . 186 kg
  - Efficiency net\* . . . . . 71.1 - 73.4%
  - Efficiency gross\* . . . . . 78.2 - 80.7%
- \* dependent on fuel used

Flue outlet, rear and top option

- internal ø. . . . . 150 mm
- internal diameter. . . . . 159 mm

Clearance to Combustibles

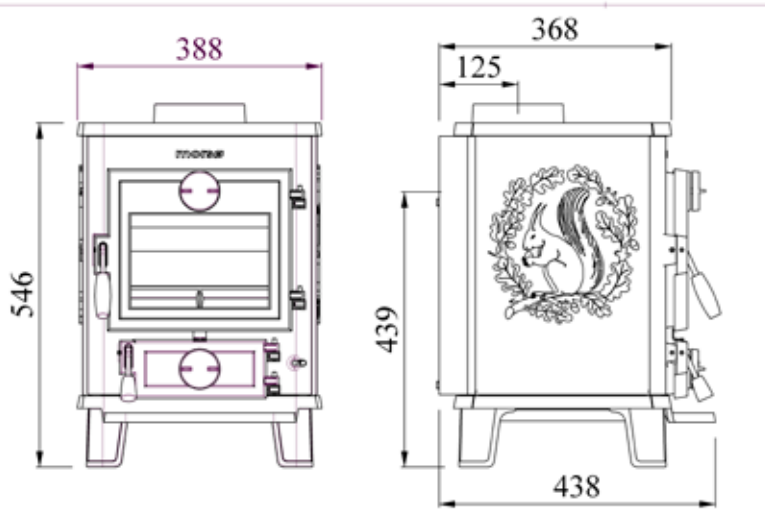
- Top . . . . . 500 mm
- Sides . . . . . 100 mm
- Rear. . . . . 100 mm
- Soft Furniture. . . . . 1200 mm



# 1410 SQUIRREL



Multifuel



Leg: 100 mm  
Options on leg: 150 mm/250 mm

## 1410 Squirrel Radiant

EN 13240 and Norwegian approved

Rated output . . . . . 4,5 kW  
Log length. . . . . 28 cm  
Weight . . . . . 70 kg  
Efficiency net/gross: . . . . . 76/69%

Flue outlet, rear and top option  
internal ø. . . . . 125 mm

Optional boiler for Morsø 1410 Squirrel: 8000 BTU  
Tapping locations:  
Horizontal centreline . . . . . 230 mm  
From top to centreline . . . . . 74 mm  
Vertical centreline . . . . . 228 mm  
Tapping diameter . . . . . 1" BSP

Clearance to Combustibles  
Top . . . . . 500 mm  
Sides . . . . . 600 mm  
Rear. . . . . 300 mm  
Soft Furniture. . . . . 700 mm

# 1430 / 1435 SQUIRREL



Multifuel

Also available with ribbed sides

## 1430 / 1435 Squirrel Radiant

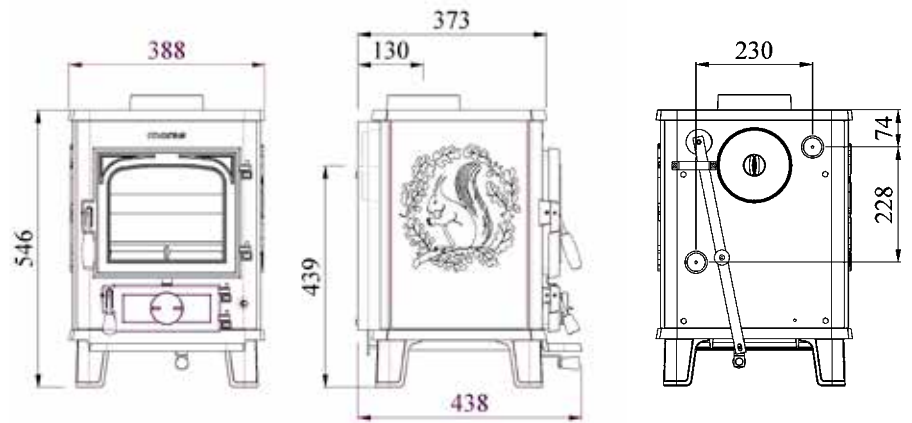
EN 13240 and Norwegian approved

Rated output . . . . . 4,6 kW  
 Log length. . . . . 28 cm  
 Weight . . . . . 75 kg  
 Efficiency net/gross: . . . . . 71/68%

Flue outlet, rear and top option  
 internal ø. . . . . 125 mm

Optional boiler for Morsø 1430/35 Squirrel: 8000 BTU  
 Tapping locations:  
 Horizontal centreline . . . . . 230 mm  
 From top to centreline . . . . . 74 mm  
 Vertical centreline . . . . . 228 mm  
 Tapping diameter . . . . . 1" BSP

Clearance to Combustibles  
 Top . . . . . 600 mm  
 Sides . . . . . 600 mm  
 Rear. . . . . 600 mm  
 Soft Furniture. . . . . 650 mm



Leg: 100 mm  
 Options on leg: 150 mm/250 mm

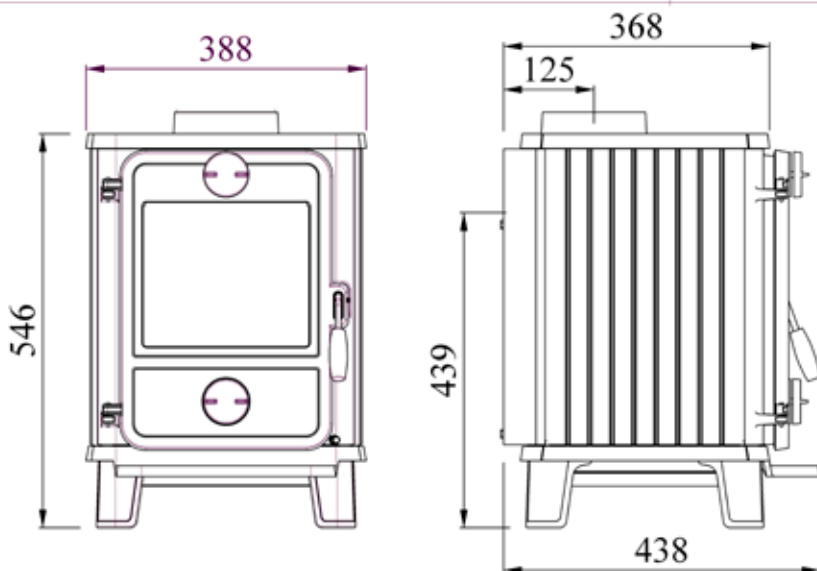
# 1412 SQUIRREL

suitable to burn wood in smoke controlled areas



Multifuel

Also available with ribbed sides



## 1412 Squirrel Radiant

EN 13240 and Norwegian approved

Rated output . . . . . 5 kW  
Log length . . . . . 28 cm  
Weight . . . . . 70 kg  
Efficiency net/gross: . . . . . 74.6/67.9%

Flue outlet, rear and top option  
internal  $\varnothing$  . . . . . 125 mm

Clearance to Combustibles  
Top . . . . . 500 mm  
Sides . . . . . 600 mm  
Rear . . . . . 100 mm  
Soft Furniture . . . . . 700 mm



# 1442 SQUIRREL

suitable to burn wood in smoke controlled areas



Multifuel

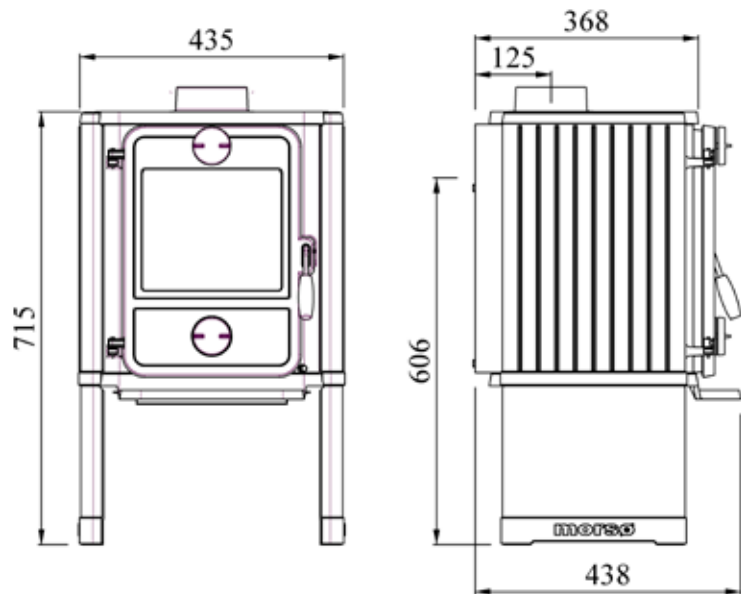
## 1442 Squirrel Convector

EN 13240 and Norwegian approved

Rated output . . . . . 5 kW  
 Log length . . . . . 28 cm  
 Weight . . . . . 70 kg  
 Efficiency net/gross: . . . . . 74,6/67,9%

Flue outlet, rear and top option  
 internal ø. . . . . 125 mm

Clearance to Combustibles  
 Top . . . . . 500 mm  
 Sides . . . . . 300 mm  
 Rear. . . . . 200 mm  
 Soft Furniture. . . . . 700 mm



# 1416 SERIES

all models suitable to burn wood in smoke controlled areas



Multifuel



1418

Multifuel



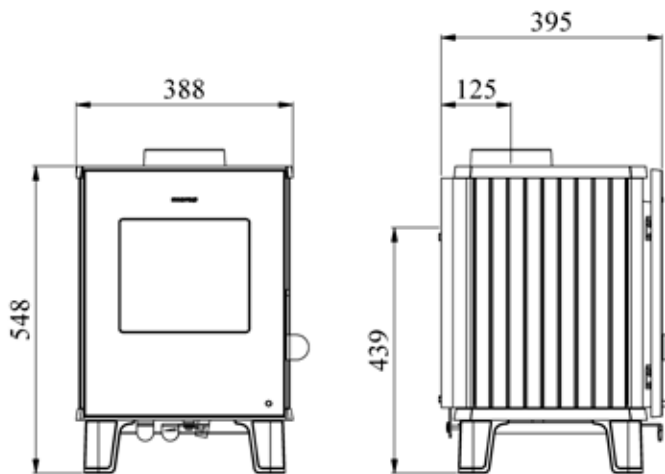
1446

Multifuel



1448

Multifuel



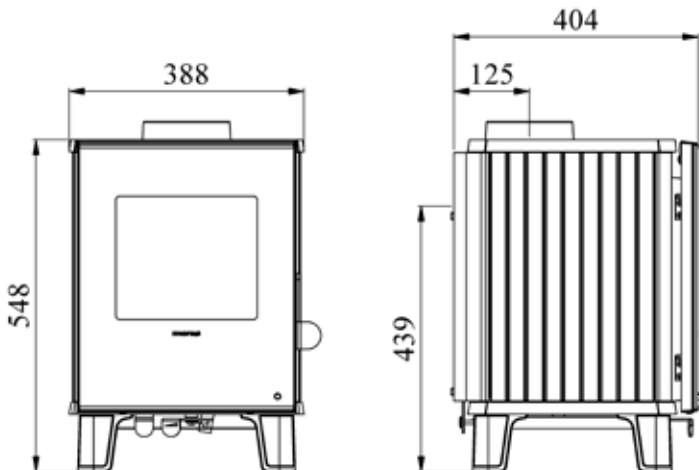
### 1416

EN 13240 and Norwegian approved

Rated output . . . . . 4 kW  
 Log length . . . . . 28 cm  
 Weight . . . . . 69 kg  
 Efficiency net/gross: . . . . . 78,4/71,3%

Flue outlet, rear and top option  
 internal ø. . . . . 125 mm

Clearance to Combustibles  
 Top . . . . . 500 mm  
 Sides . . . . . \*390 mm  
 Rear. . . . . \*100 mm  
 Soft Furniture. . . . . 700 mm  
 \* insulated flue



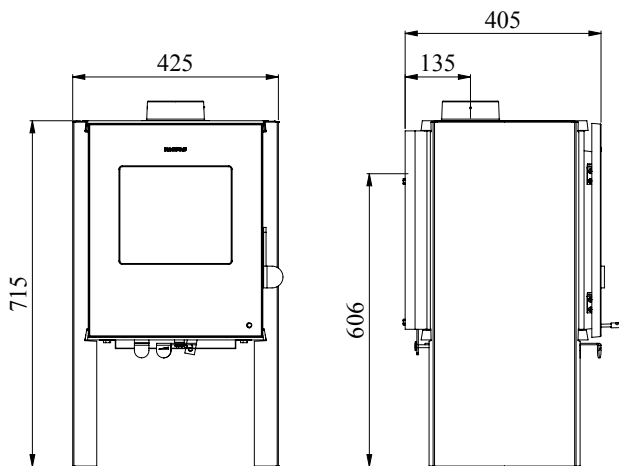
### 1418

EN 13240 and Norwegian approved

Rated output . . . . . 4 kW  
 Log length . . . . . 28 cm  
 Weight . . . . . 73 kg  
 Efficiency net/gross: . . . . . 78,4/71,3%

Flue outlet, rear and top option  
 internal ø. . . . . 125 mm

Clearance to Combustibles  
 Top . . . . . 500 mm  
 Sides . . . . . \*450 mm  
 Rear. . . . . \*150 mm  
 Soft Furniture. . . . . 700 mm  
 \* insulated flue



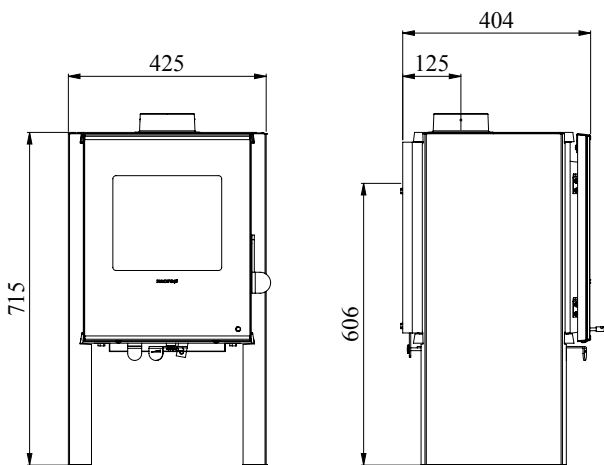
### 1446

EN 13240 and Norwegian approved

Rated output . . . . . 4 kW  
 Log length . . . . . 28 cm  
 Weight . . . . . 90 kg  
 Efficiency net/gross: . . . . . 78,4/71,3%

Flue outlet, rear and top option  
 internal ø. . . . . 125 mm

Clearance to Combustibles  
 Top . . . . . 500 mm  
 Sides . . . . . \*240 mm  
 Rear. . . . . \*140 mm  
 Soft Furniture. . . . . 700 mm  
 \* insulated flue



### 1448

EN 13240 and Norwegian approved

Rated output . . . . . 4 kW  
 Log length . . . . . 28 cm  
 Weight . . . . . 94 kg  
 Efficiency net/gross: . . . . . 78,4/71,3%

Flue outlet, rear and top option  
 internal ø. . . . . 125 mm

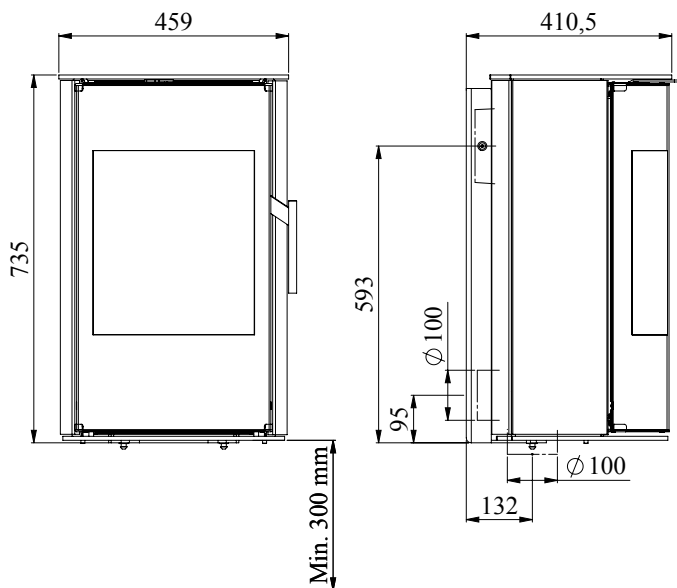
Clearance to Combustibles  
 Top . . . . . 500 mm  
 Sides . . . . . \*320 mm  
 Rear. . . . . \*190 mm  
 Soft Furniture. . . . . 700 mm  
 \* insulated flue

# S10-70

suitable to burn wood in smoke controlled areas



Wood Burning



## S10-70

EN 13240 and Norwegian approved

Rated output . . . . . 5 kW  
Log length . . . . . 33 cm  
Weight . . . . . 102 kg  
Efficiency net/gross: . . . . . 81,3/74%

Flue outlet, rear and top option  
internal  $\varnothing$ . . . . . 125 mm

Clearance to Combustibles  
Top . . . . . 600 mm  
Sides . . . . . 400 mm  
Rear . . . . . 200 mm  
From floor . . . . . 150 mm  
Soft Furniture . . . . . 700 mm

Optional outside air kit available

# S10-40

suitable to burn wood in smoke controlled areas



Wood Burning

## S10-40

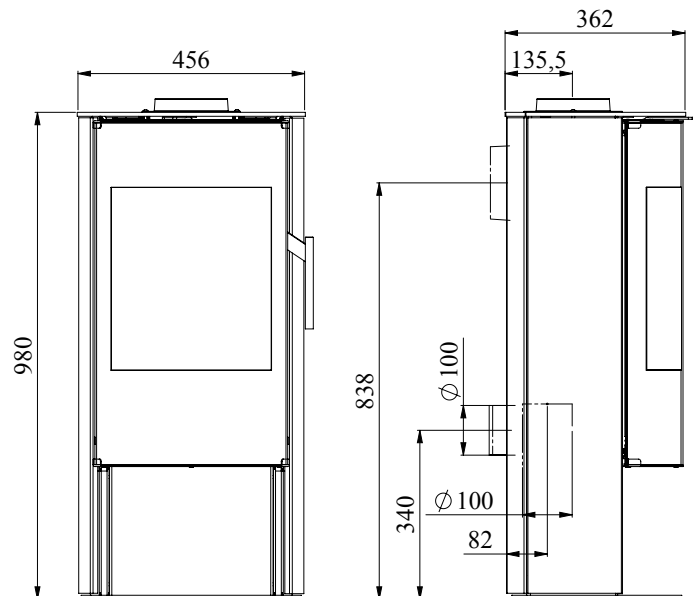
EN 13240 and Norwegian approved

Rated output . . . . . 5 kW  
 Log length . . . . . 33 cm  
 Weight . . . . . 98 kg  
 Efficiency net/gross: . . . . . 81,3/74%

Flue outlet, rear and top option  
internal ø. . . . . 125 mm

Clearance to Combustibles  
 Top . . . . . 600 mm  
 Sides . . . . . 400 mm  
 Rear . . . . . 200 mm  
 Soft Furniture . . . . . 700 mm

Optional outside air kit available

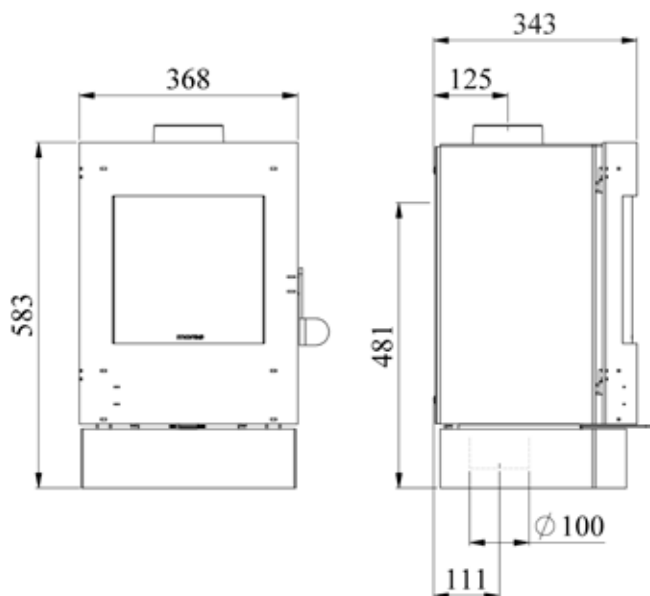


# S11 SERIES

all models suitable to burn wood in smoke controlled areas



Multifuel



## S11-40

EN 13240 and Norwegian approved

Rated output . . . . . 4 kW  
Log length . . . . . 25 cm  
Weight . . . . . 61 kg  
Efficiency net/gross: . . . . . 83/75,5%

Flue outlet, rear and top option  
internal  $\varnothing$ . . . . . 125 mm

Clearance to Combustibles  
Top . . . . . 600 mm  
Sides . . . . . 320 mm  
Rear . . . . . 240 mm  
Soft Furniture . . . . . 700 mm

*Optional outside air kit available*

# S11 SERIES

all models suitable to burn wood in smoke controlled areas



Multifuel

## S11-42

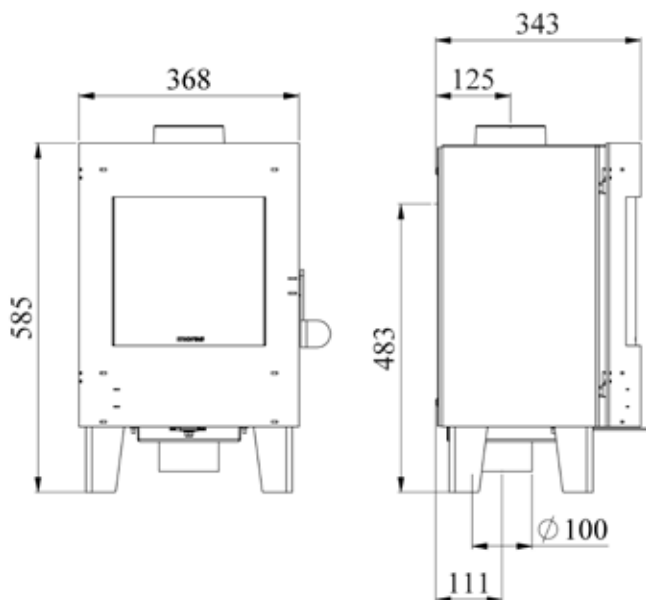
EN 13240 and Norwegian approved

Rated output . . . . . 4 kW  
Log length. . . . . 25 cm  
Weight . . . . . 61 kg  
Efficiency net/gross: . . . . . 83/75.5%

Flue outlet, rear and top option  
internal  $\varnothing$ . . . . . 125 mm

Clearance to Combustibles  
Top . . . . . 600 mm  
Sides . . . . . 320 mm  
Rear. . . . . 240 mm  
Soft Furniture. . . . . 700 mm

*Optional outside air kit available*

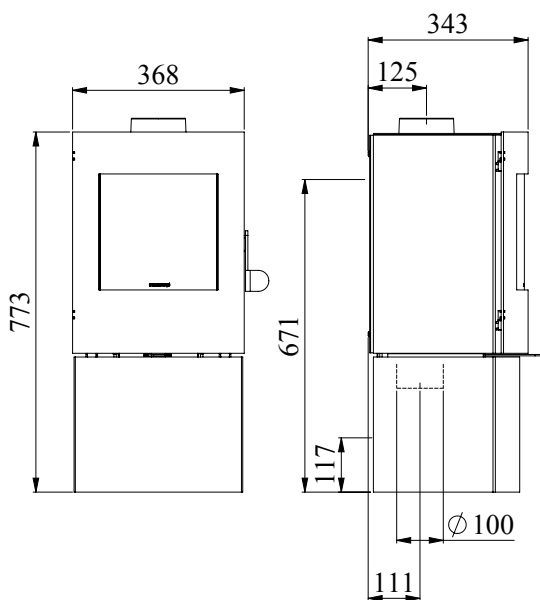


# S11 SERIES

all models suitable to burn wood in smoke controlled areas



Multifuel



## S11-43

EN 13240 and Norwegian approved

Rated output . . . . . 4 kW  
 Log length . . . . . 25 cm  
 Weight . . . . . 61 kg  
 Efficiency net/gross: . . . . . 83/75,5%

Flue outlet, rear and top option  
 internal ø . . . . . 125 mm

Clearance to Combustibles  
 Top . . . . . 600 mm  
 Sides . . . . . 300 mm  
 Rear . . . . . 200 mm  
 Soft Furniture . . . . . 700 mm

Optional outside air kit available

## S11-90





# S50-40



Wood Burning

## S50-40

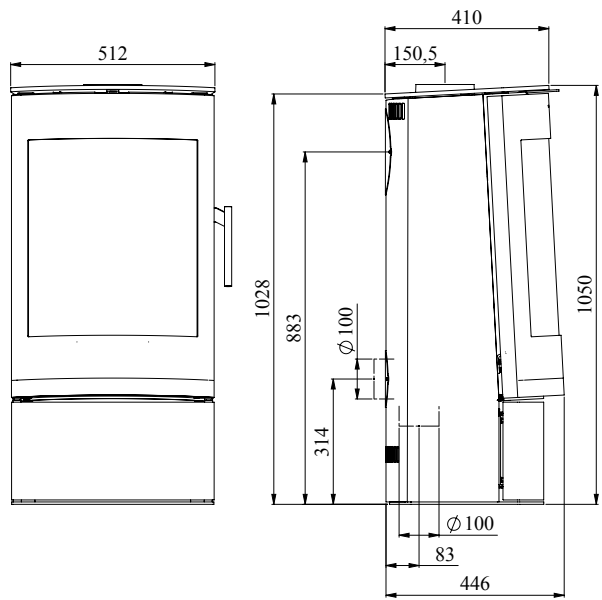
EN 13240 and Norwegian approved

Rated output . . . . . 8 kW  
Log length . . . . . 35 cm  
Weight . . . . . 120 kg  
Efficiency net/gross: . . . . . 78,4/71,3%

Flue outlet, rear and top option  
internal  $\varnothing$ . . . . . 150 mm

Clearance to Combustibles  
Top . . . . . 600 mm  
Sides . . . . . 500 mm  
Rear . . . . . 300 mm  
Soft Furniture . . . . . 800 mm

*Optional outside air kit available*

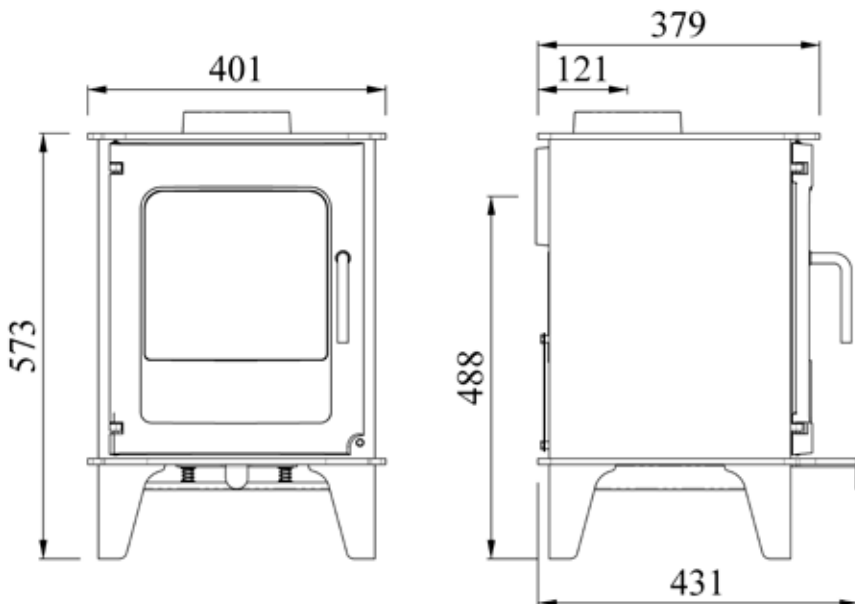


Ø4

suitable to burn wood in smoke controlled areas



Multifuel



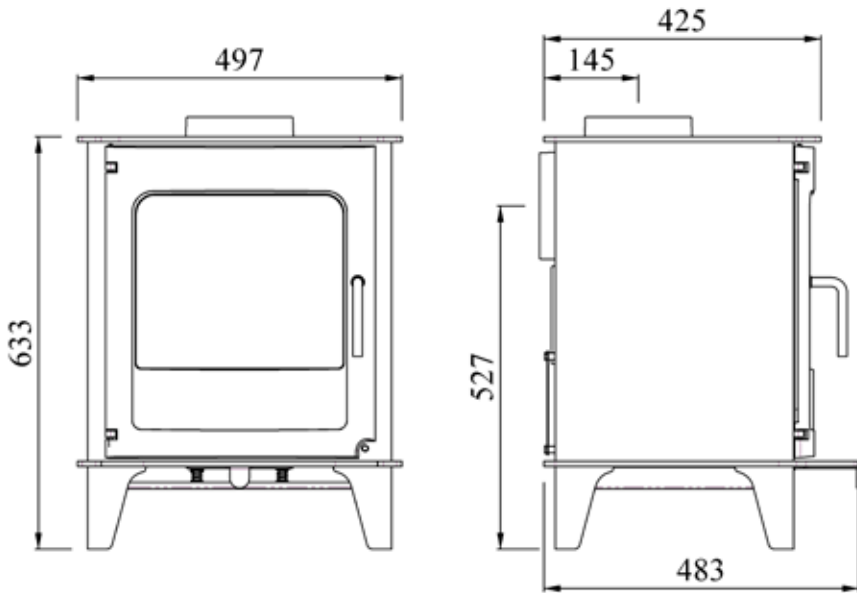
Ø4

EN 13240 and Norwegian approved

Rated output . . . . . 5 kW  
 Log length . . . . . 28 cm  
 Weight . . . . . 88 kg  
 Efficiency net/gross: . . . . . 81/73,3%

Flue outlet, rear and top option  
 internal ø. . . . . 125 mm

Clearance to Combustibles  
 Top . . . . . 600 mm  
 Sides . . . . . 550 mm  
 Rear . . . . . 650 mm  
 Soft Furniture . . . . . 700 mm



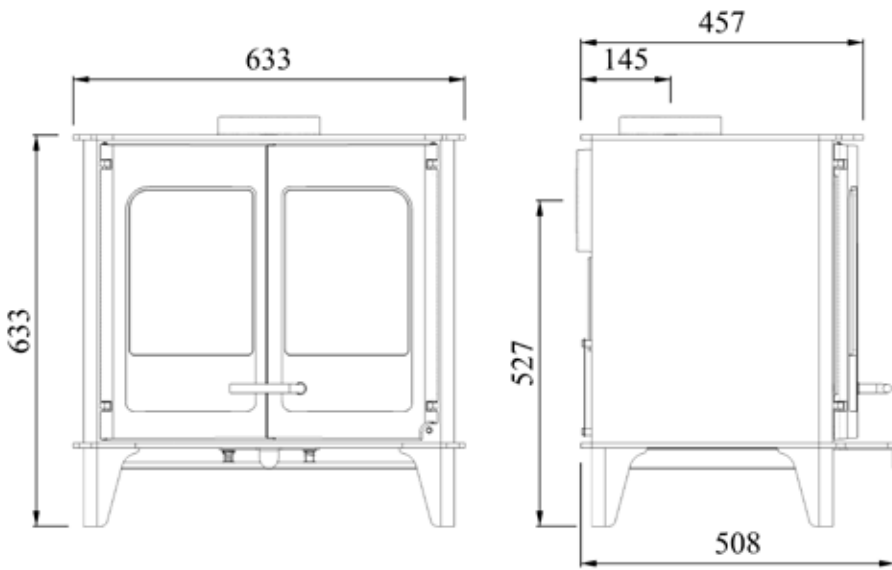
**Ø6**

EN 13240 and Norwegian approved

Rated output . . . . . 7,7 kW  
 Log length. . . . . 37 cm  
 Weight . . . . . 110 kg  
 Efficiency net/gross: . . . . . 75/68,3%

Flue outlet, rear and top option  
 internal Ø. . . . . 150 mm

Clearance to Combustibles  
 Top . . . . . 600 mm  
 Sides . . . . . 600 mm  
 Rear. . . . . 700 mm  
 Soft Furniture. . . . . 1100 mm



**Ø8**

EN 13240 and Norwegian approved

Rated output . . . . . 9,3 kW  
 Log length. . . . . 50 cm  
 Weight . . . . . 130 kg  
 Efficiency net/gross: . . . . . 75/65,5%

Flue outlet, rear and top option  
 internal Ø. . . . . 150 mm

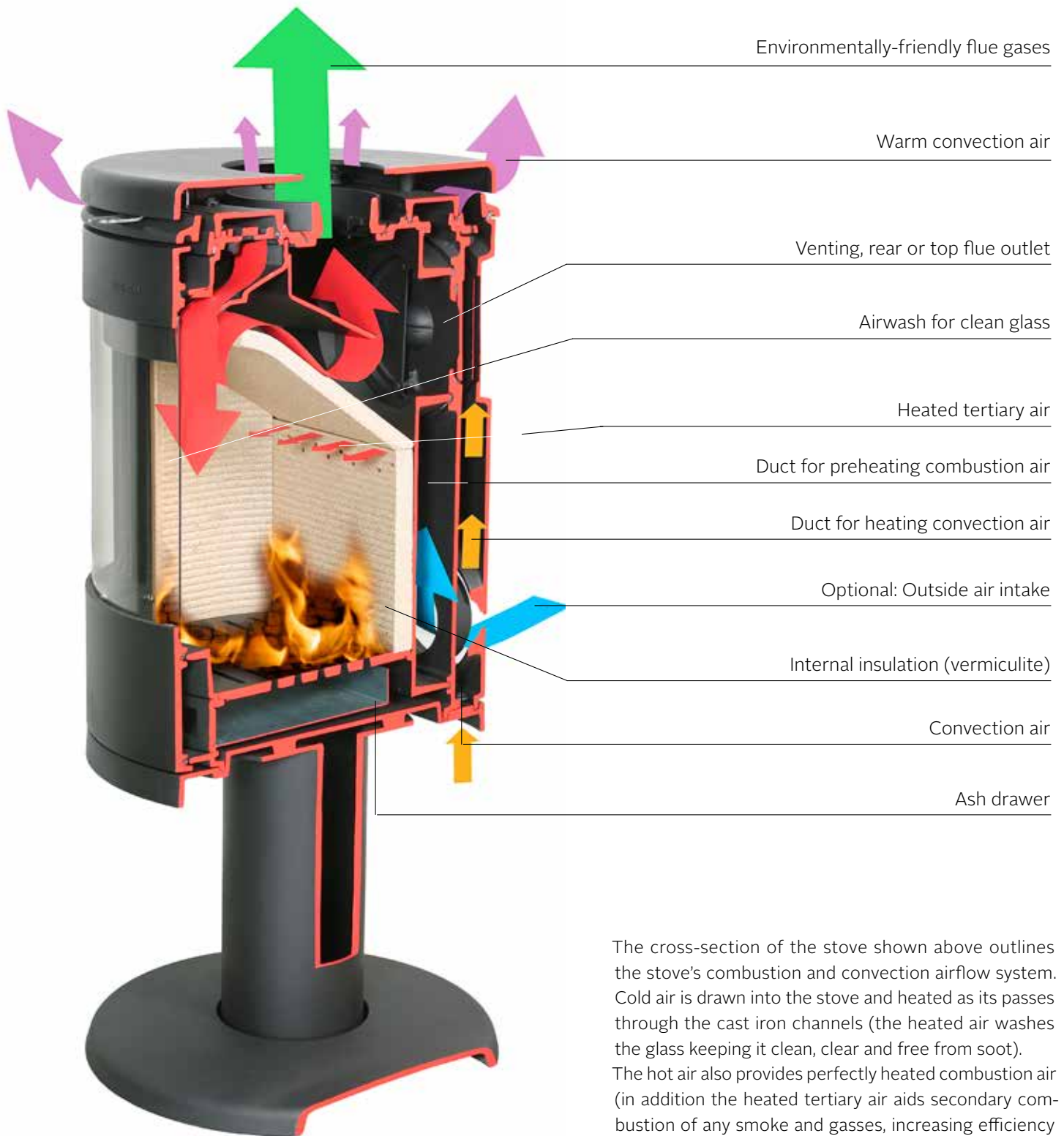
Clearance to Combustibles  
 Top . . . . . 600 mm  
 Sides . . . . . 600 mm  
 Rear. . . . . 700 mm  
 Soft Furniture. . . . . 1100 mm



Multifuel

Multifuel

# ENVIRONMENTALLY FRIENDLY COMBUSTION



The cross-section of the stove shown above outlines the stove's combustion and convection airflow system. Cold air is drawn into the stove and heated as it passes through the cast iron channels (the heated air washes the glass keeping it clean, clear and free from soot). The hot air also provides perfectly heated combustion air (in addition the heated tertiary air aids secondary combustion of any smoke and gasses, increasing efficiency and reducing the environmental impact).



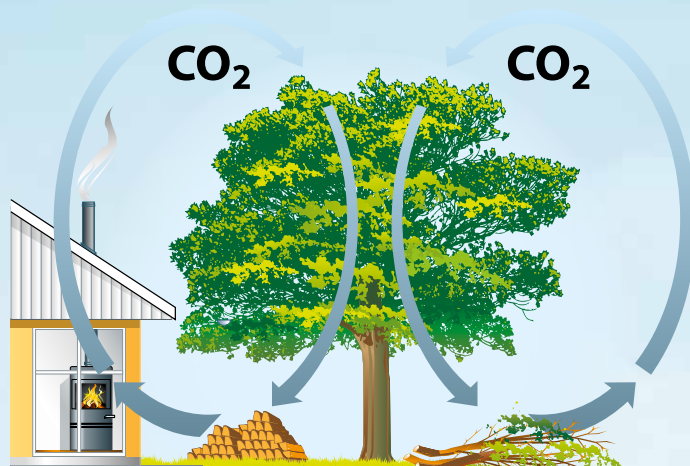
We're hot for fire. One of our most important areas of expertise is the production of environmentally-aware stoves, and we happily describe ourselves as experts in combustion technology.

## Morsø gives you local warming. Not global warming.

Wood has quite a special property when talking about CO<sub>2</sub>. As the tree grows, it absorbs and locks in enormous amounts of carbon dioxide as part of the photosynthesis process. Precisely the same amount of CO<sub>2</sub> is released into the atmosphere, when the tree is felled and burnt. If burning-off takes place efficiently, the count adjusts downwardly, so we can say that wood is CO<sub>2</sub>-neutral and therefore a green energy source.

Not only that, wood – unlike e.g. oil, coal or gas - can be reproduced by planting new trees to replace those cut down. The neutral CO<sub>2</sub>-cycle can therefore be maintained. Generation after generation.

To bring the CO<sub>2</sub> count completely down to zero, the wood, as mentioned above, must be burnt off as efficiently as possible. And this is where Morsø's stoves score their first important points. Our many years of experience and constant development mean that, today, each and every one of our stoves are among the most efficient combustion systems in the world.



### Did you see smoke?

On the one side, there's talk about CO<sub>2</sub> and global warming. On the other, there's the recurring debate about soot, which, along with harmless water vapour, is contained in the smoke emitted from a stove. Are soot particles harmful to health? Under what conditions? If so, at what quantity does it become a problem? Whatever the case, we should use our stoves so that no smoke comes out the chimney. Even if the smoke isn't harmful, it can smell and be unnecessarily unpleasant for our neighbours.

There is still uncertainty surrounding the answers. So, it is precisely for this reason that we have decided to put every effort into the development of our stoves. If there's one thing we won't under any circumstances take any chances with it's our customers' health. The demonstrable result is that the emission of particles from a modern Morsø stove has been reduced to an absolute minimum through refined combustion technology and advanced purification systems.

The fact that the quantity of particles emitted depends very much on how you use your stove is a completely different matter. We'll come to that in the next few pages.

## Safety is standard

Morsø's wood-burning stoves meet some of the strictest environmental standards in the world. This mainly applies to Norwegian Standard NS 3058/3059, which sets out stringent requirements on minimising particle emissions. To highlight our environmental focus, the majority of Morsø's stoves are, today, also certified to the Nordic Swan Eco-label. This not only focuses on minimising the stove's impact on the environment when in operation, it also focuses on the impact on the environment caused by the actual production and choice of packaging etc.

A range of our stoves are approved in the UK by Defra to burn wood in smoke controlled areas.

All our stoves comply with European Standard EN 13 240, which, in other words, means that the stoves are CE-marked.





## **Familiarising yourself with the ins and outs (and your fuel economy)**

Even the best stove needs your input, if you want to heat your home efficiently and, at the same time, protect the environment from harmful particles. Ultimately, it is a matter of how you use the stove – and of course, what you fuel it with. You can do both yourself and the environment a big favour by following these seven recommendations:



**You can do both yourself and the environment a big favour by following these recommendations:**

1. Choose a stove which complies with the strictest requirements on particle emissions.
2. Make sure your chimney is the correct size in relation to the stove.  
A good draw is essential for optimum combustion.
3. Never burn waste, cardboard packaging, printed matter or wood that has been painted or in some other way treated.
4. Make sure the wood is clean and dry. Dampness of max 16-20% gives the best and cleanest combustion (and also less soot on the glass).
5. Never overfill the stove and avoid using oversized pieces of fuel.
6. Air is important for good combustion and good economy. Before the wood carbonises, enough air needs to be added so that flames are produced (always read the manual – it's important).
7. Don't leave the stove burning overnight. Leaving your stove burning overnight is bad for your wallet and the environment.

**Learn to light a fire correctly:**



As shown in the picture to the left you need the following:  
2 fire lighters (or 5-10 scrunched-up sheets of newspaper)  
1 kg of dry kindling.  
Approx. 1-1,5 kg of chopped firewood



Open the air supply up fully.



1" of ash is a suitable base for the wood.  
Start by placing a couple of logs, approximately ½ kilogram, in the bottom of the burn chamber.



Place approximately 1 kilogram of dry kindling wood on top of the logs. Place a couple of kindling bags just below the top layer of kindling wood.



Light the kindling bags



The flames work their way slowly downwards from the top. After approximately 45-60 minutes, the last flames go out, and a good layer of embers has been formed. More wood should be added while there are still embers. Use a poker or ash scraper to spread the embers, but ensure that most of them are at the front of the stove.



Place three pieces of wood of approx. 0,5 kg each and approx. 9,8" long over the embers in a single layer, with a distance of approx. 1 cm between each piece. When the air controls are opened fully, and the door is closed, the wood will ignite within 2-3 minutes.



Finally, adjust the air supply control to the required position to give optimal combustion. Maintaining a good fire box temperature will ensure secondary combustion of the smoke and gases giving a clean and efficient burn. The stove should be refuelled before only glowing embers remain.

# ORIGINAL ACCESSORIES

It's not just the wood-burning stove itself that emits the special atmosphere of warmth and comfort in your home.



CURVA FELT BASKET

## CURVA

With "CURVA", Morsø has created a functional and aesthetically beautiful piece that encompasses all the fire tools in such a way that each product in the series has its own function, and nothing is superfluous.



CURVA FIRE TOOLS



CURVA POKER



MORSØ FIREWOOD BUCKET  
LARGE & SMALL

Small bucket – Ø40, large bucket  
Ø45.



MORSØ MOISTURE METER

Ensures that wood fuel has the  
correct moisture content thus  
maximizing fuel combustion and  
fuel efficiency.



SIMPLICA HUMIDIFIER

The glossy stainless steel handle  
contrasts to the black enameled  
cast iron and the grip made of  
solid rubber makes it safe and  
comfortable when moving the  
humidifier under all conditions.  
Content 1,5 l.



FIREPLACE TOOL SET COMPLETE

H: 40 x W: 20 x D: 10,7  
cm.



MORSØ FLUE GAS THERMOMETER

The Morsø flue gas thermometer is  
attached to the flue pipe with a mag-  
net and is used to measure the tem-  
perature of the smoke in the flue pipe  
right above the stove.



MORSØ CAST IRON HUMIDIFIER

Morsø cast iron kettles are available in  
two sizes, 2,0 liter or 4,5 liter. Made of  
enameled cast iron.



MORSØ FIRE TOOLS CLASSIC

The classic Morsø, with the Morsø  
squirrel. Height: 69 cm.



MORSØ FIREWOOD BOX

Height x Width x Length: 30 x 38 x 45 cm.  
Morsø Canvas Wood. Carrier is included.



MORSØ CANVAS WOOD CARRIER

Made of black canvas and has sturdy  
wooden handles.



MORSØ ASH AND STORAGE BUCKET

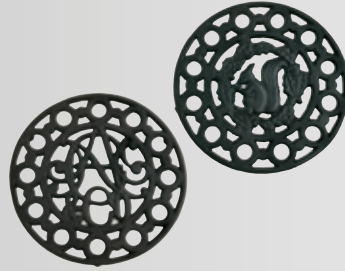
Height x Diameter 37 x 30 cm.

# ORIGINAL ACCESSORIES



MORSØ LEATHER GLOVE

This protective glove is made of thick leather. The gloves are available for both left and right hand.



MORSØ CAST IRON TRIVET

Made with high quality cast iron, the Morsø Trivet is 19 cm in diameter and has a matt-black enameled coating. Two different Morsø trivets are available.



LOOP LOG RING & FIREPLACE TOOL SET

The Morsø loop Log Ring incorporates a soft rubber handle for carrying comfort and a soft rubber mat/tray.

Dimensions:  
Mat: 62 cm x 38 cm.  
Loop: ø 50 cm

MORSØ CHILDGUARD

Efficient and elegant, this superbly constructed Morsø accessory is equipped with two side panels and wall fittings. Height x Width x Length: 70 x 110 x 110 cm.



MORSØ DUSTPAN & BROOM

The dustpan is 20 cm wide and functionally executed with ergonomic rubber handles.



MORSØ CONFORM FIRE TOOLS

Morsø Conform Fire tools, designed by Karsten Aagaard are a modern version of the Morsø Classic Fire tools and consist of a brush, shovel and poker.



ASSEMBLY AND MAINTENANCE

Morsø advice you to use only genuine Morsø materials for installation and regular maintenance.



SIMPLICA HUMIDIFIER

Glossy, stainless steel that makes an interesting contrast to the black enameled cast iron and the handle made from hard rubber makes it safe and practical moving the humidifier. 1,5 l.



MORSØ ELLIPSE FIRE TOOLS

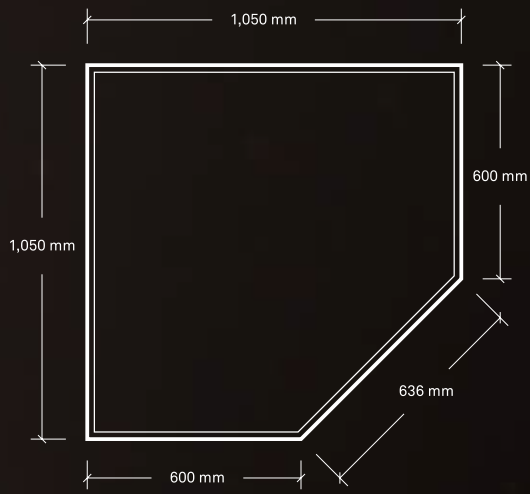
The Morsø Ellipse Fire Tools consist of a brush, shovel and poker which also doubles as a blowpipe, all contained in a bucket. The bucket can also be used to store gloves, matches and firestarters.

When cleaning your stove the bucket can be used to remove ashes. The blowpipe function of the poker is ideal when you need extra air when lighting the stove.

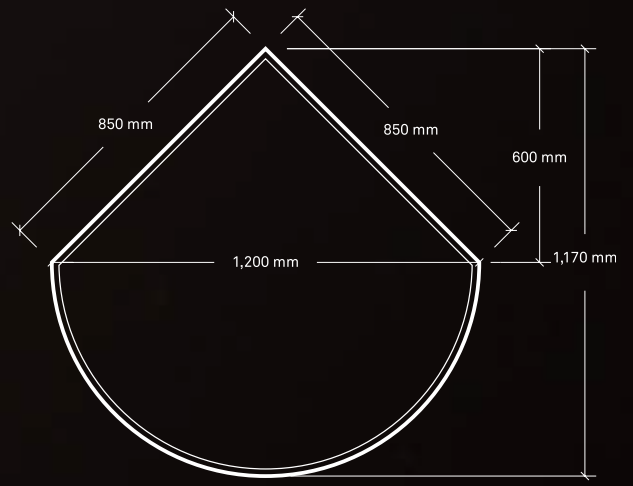
## elegant & exclusive

Morsø have been at the forefront of high quality cast iron stoves for more than 160 years. We now offer a superb range of glass hearth plates to compliment any installation.

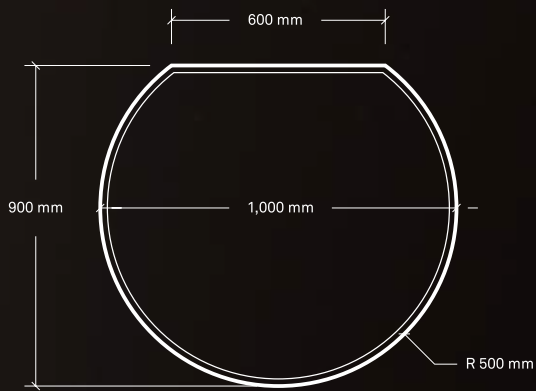




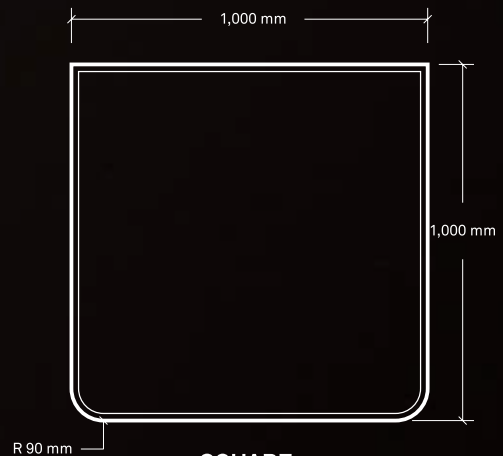
**CORNER – ANGLED FRONT**



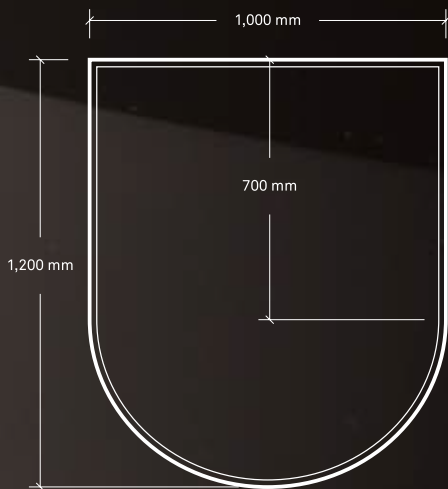
**CORNER – CIRCULAR FRONT**



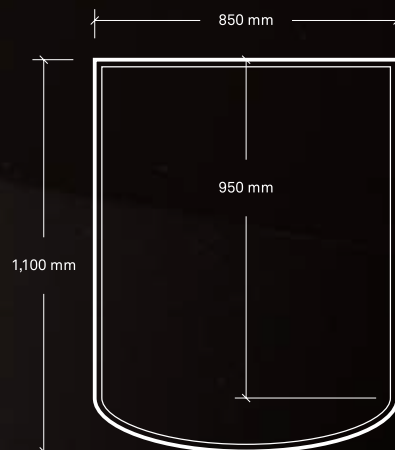
**FLAT BACK CIRCLE**



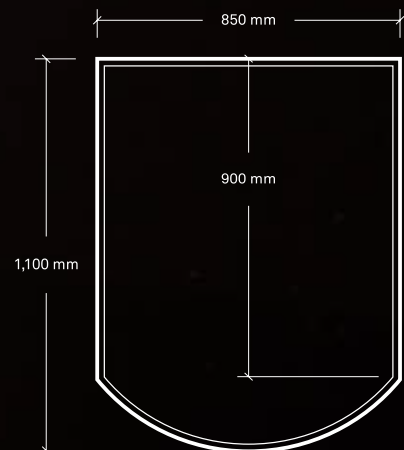
**SQUARE**



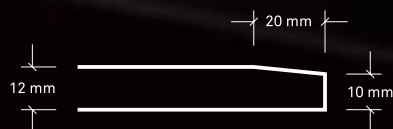
**CIRCULAR FRONT**



**CURVED FRONT  
(Clear Only)**



**CURVED FRONT  
(Black & Opaque Only)**



**BEVEL EDGE SECTION  
(Actual Size)**

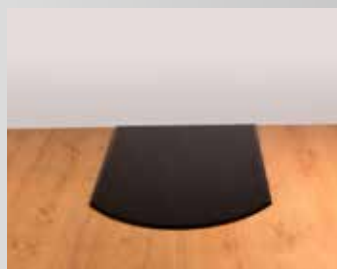
# FINISHES



Square  
Clear, Opaque & Black



Flat Back Circle  
Clear, Opaque & Black



Curved Front  
Clear, Opaque & Black

# GLASS HEARTHTHS



Corner Angled Front  
Clear, Opaque & Black



Circular Front  
Clear, Opaque & Black



Corner Circular Front  
Clear, Opaque & Black

# The definition of hygge



By appointment to The Royal Danish Court

**morsø**