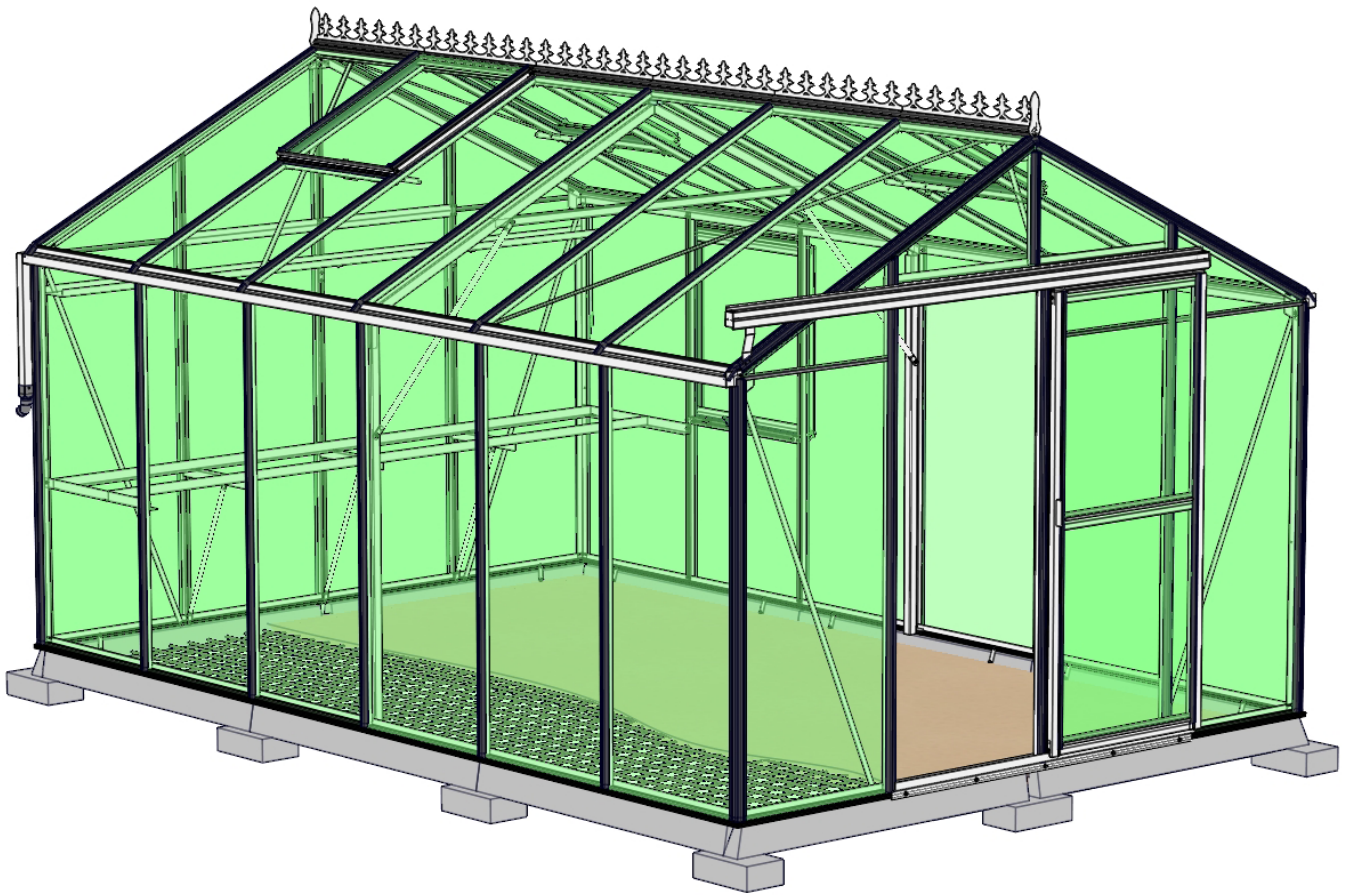


# FILCLAIR

## SERREN INDUSTRY

Een leven lang tuinplezier  
Plaisir de jardinage toute la vie



Serralux 2,70m//3,00m



kweken  
culture



genieten  
plaisir



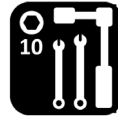
beschermen  
protection



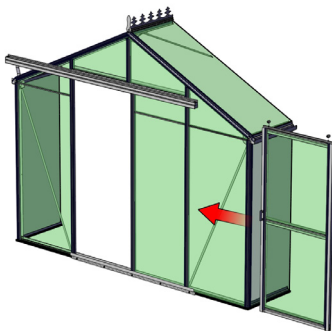
Tools not included



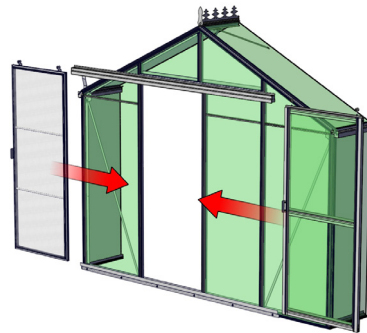
Tools not included



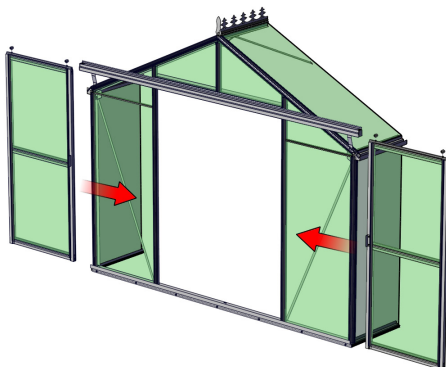
**A** ED Pg.6+42



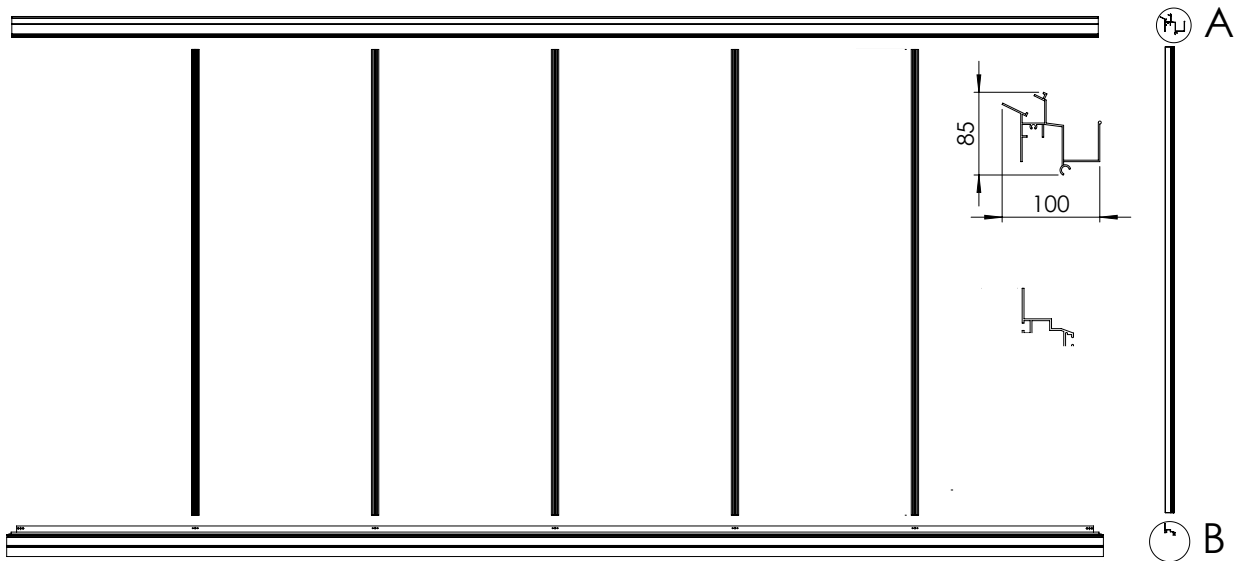
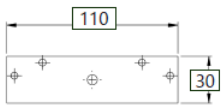
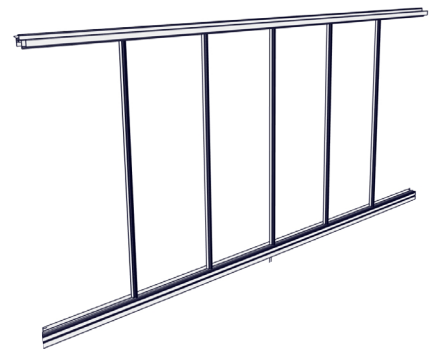
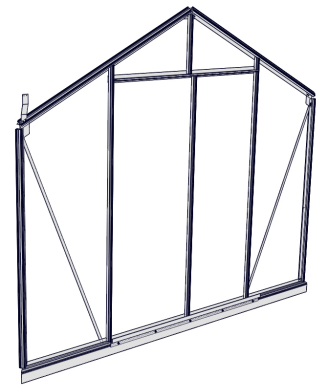
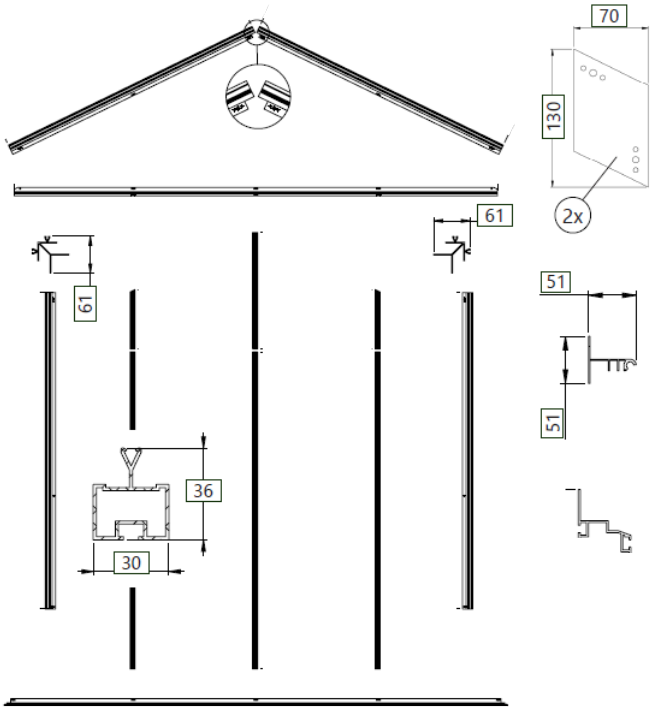
**B** EDV Pg.7+43



**C** DD Pg.8+44

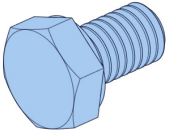


Partlist

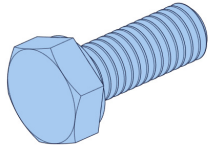


Included

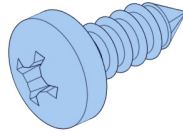
B M6x10



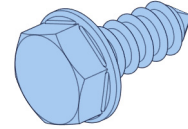
B M6x16



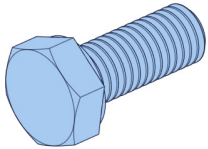
ZBK 4,8x13



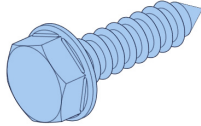
ZTZ 4,8x13



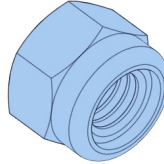
B M8x20



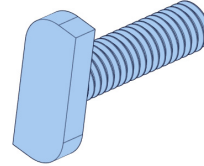
ZTZ 4,8x19



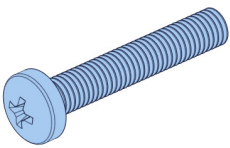
BM M6



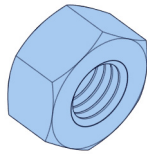
H M6x20



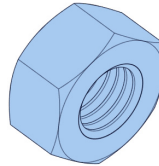
KV 30



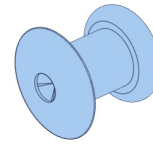
M M6



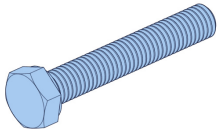
M M8



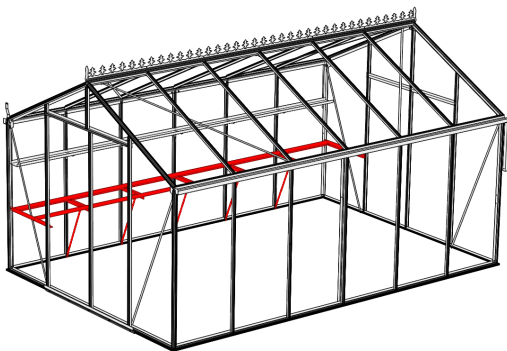
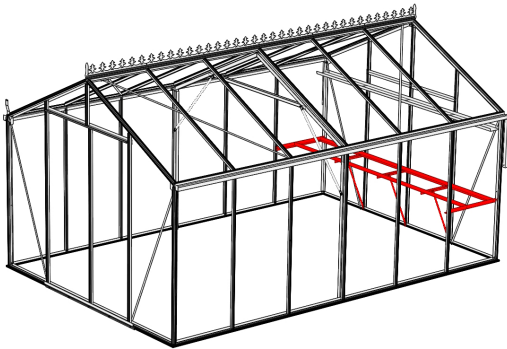
R 4mm



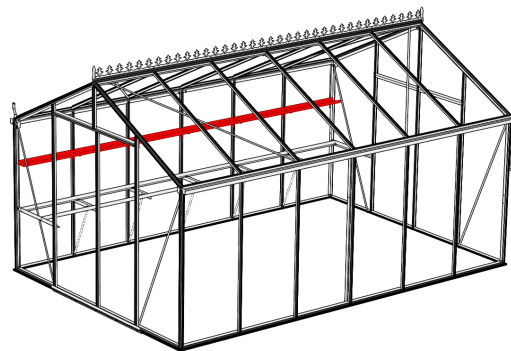
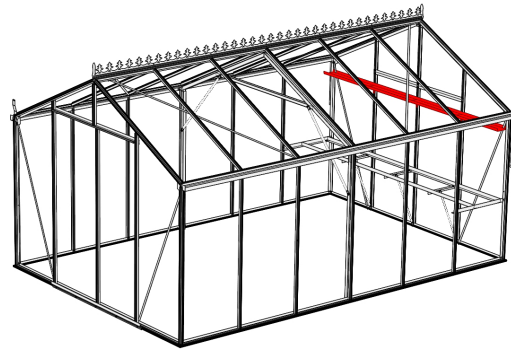
B M8x50

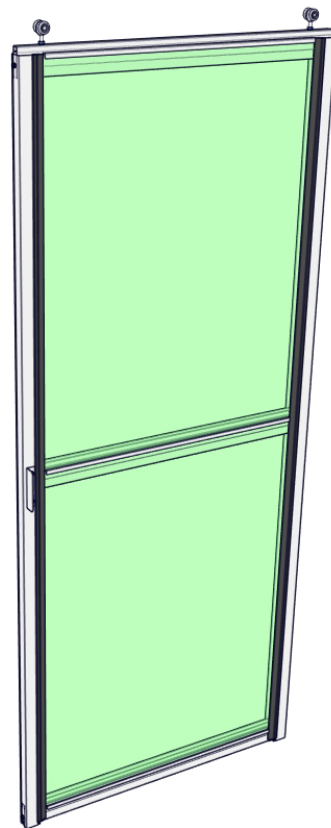
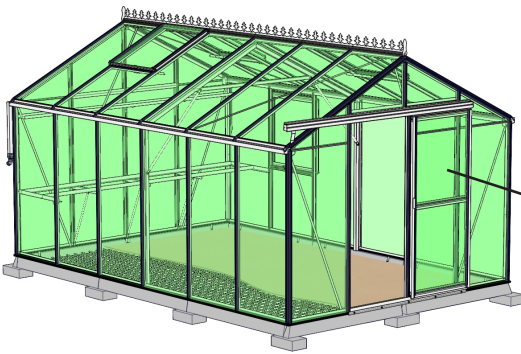
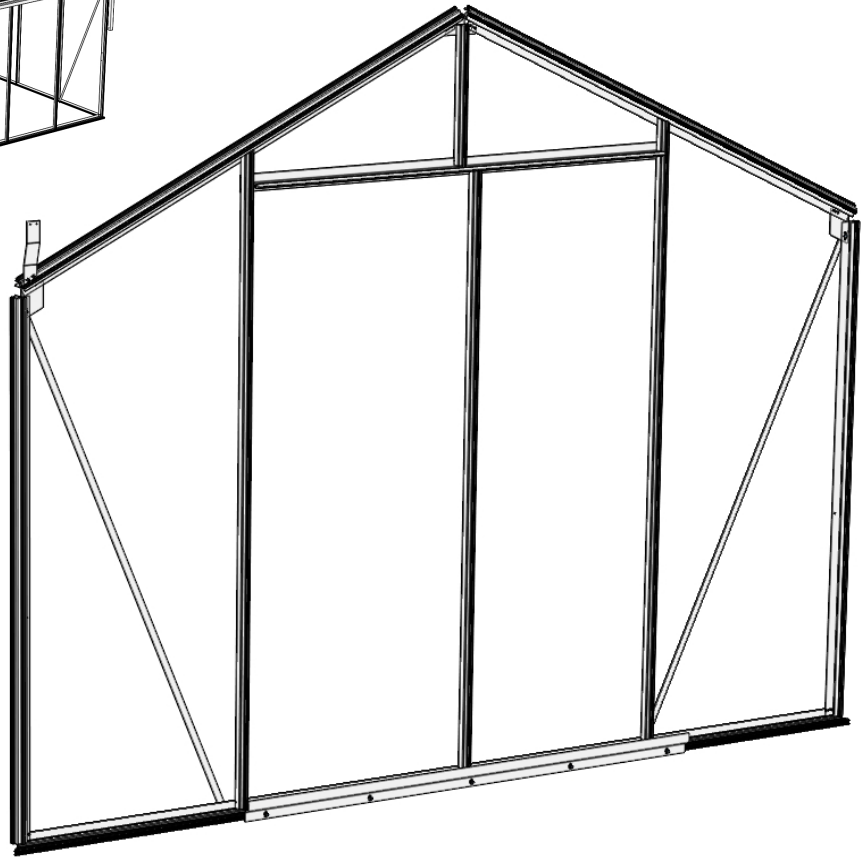
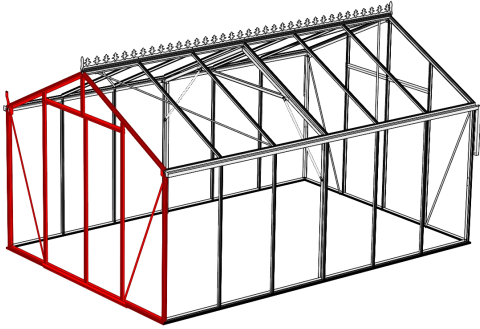


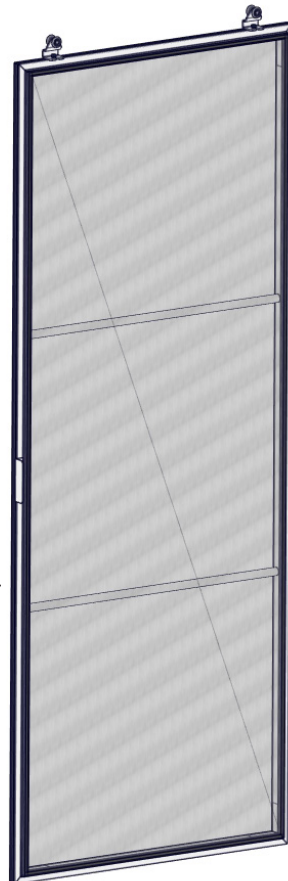
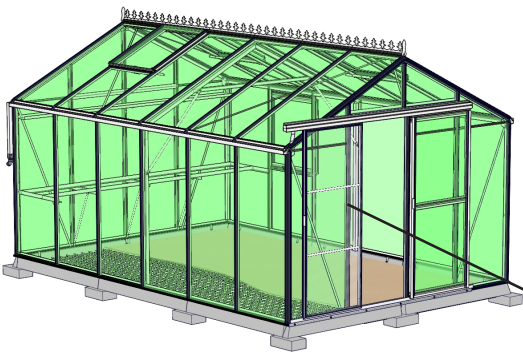
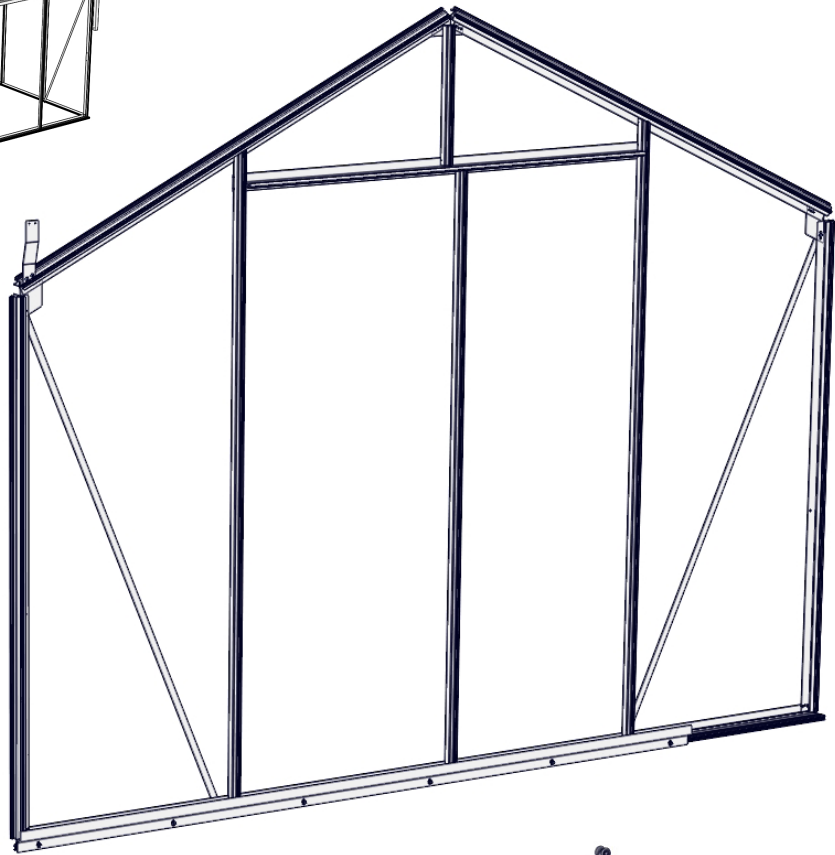
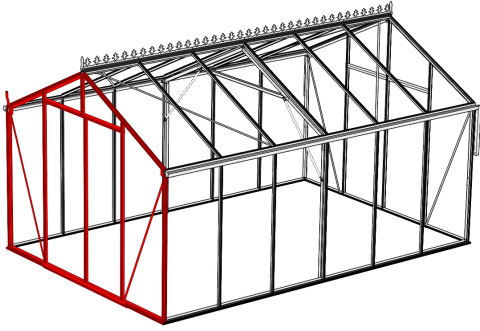
**1** GT Pg.45-46

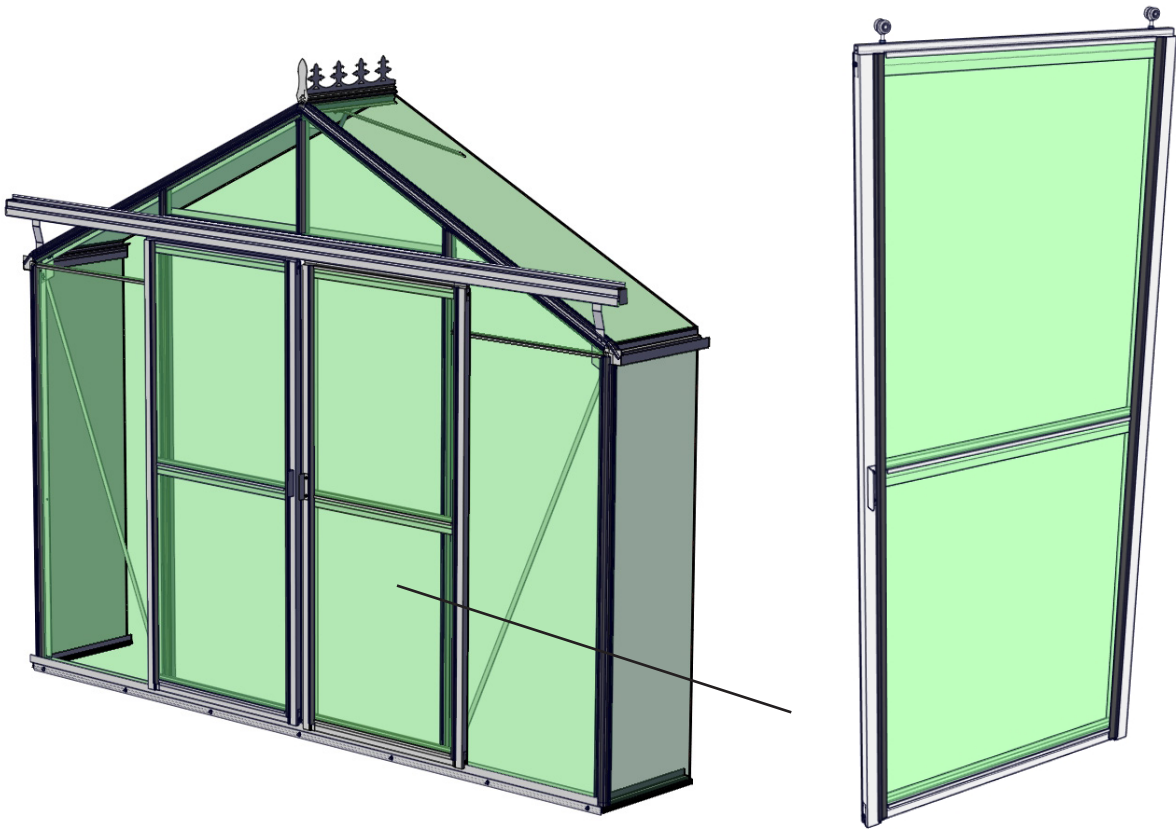
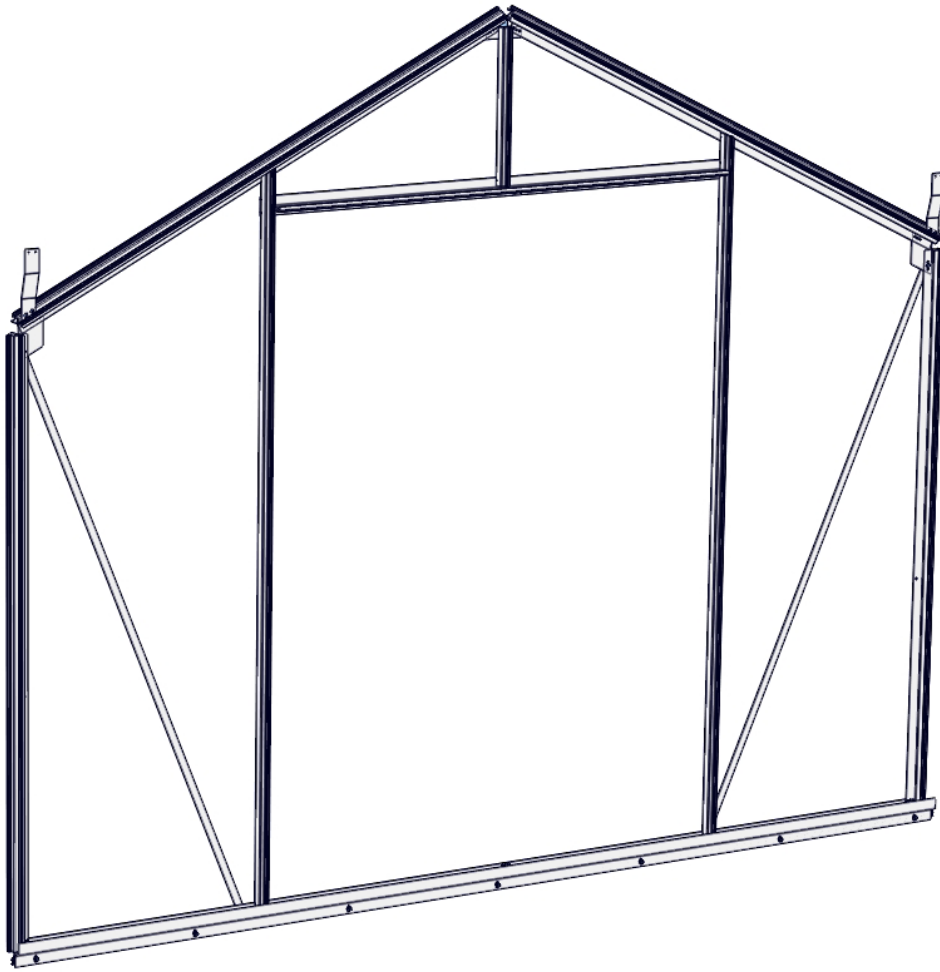


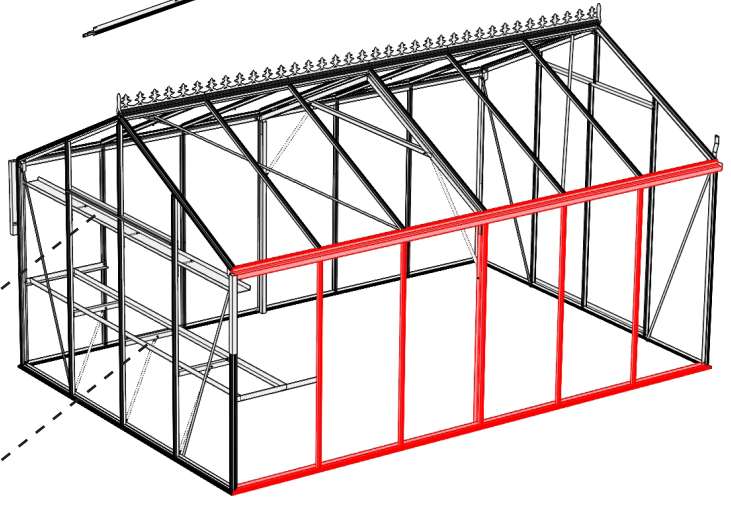
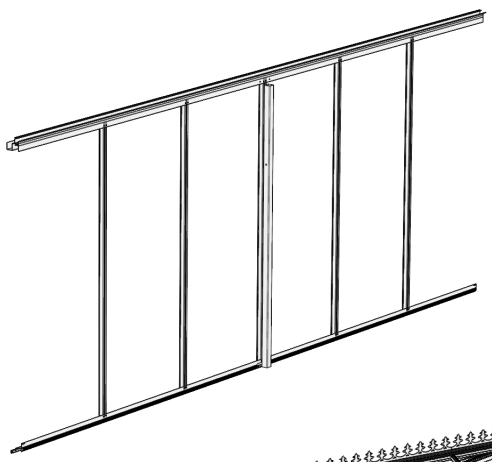
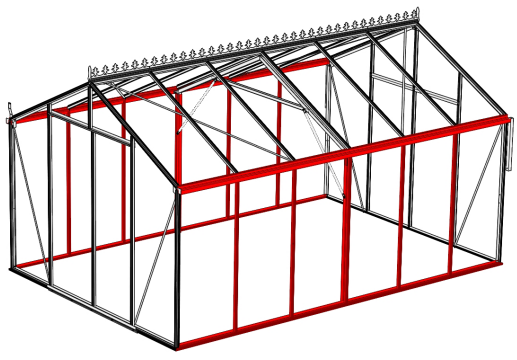
**2** GG Pg.46-47







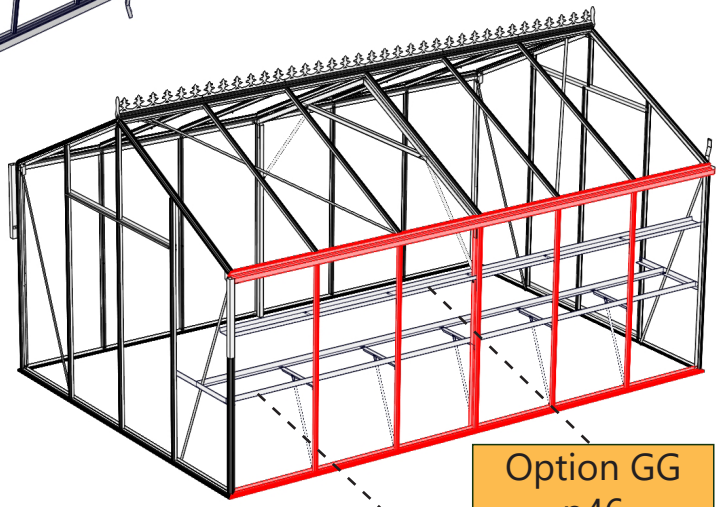
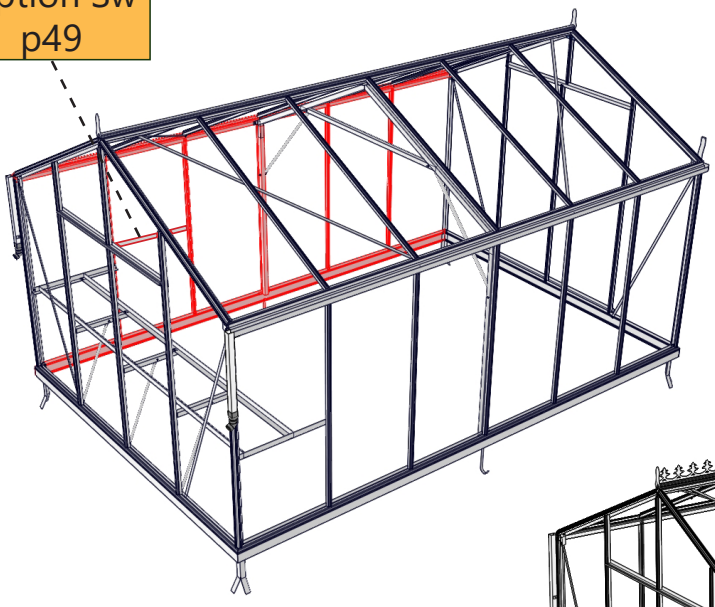




Option GG  
p46

Option GT  
p45

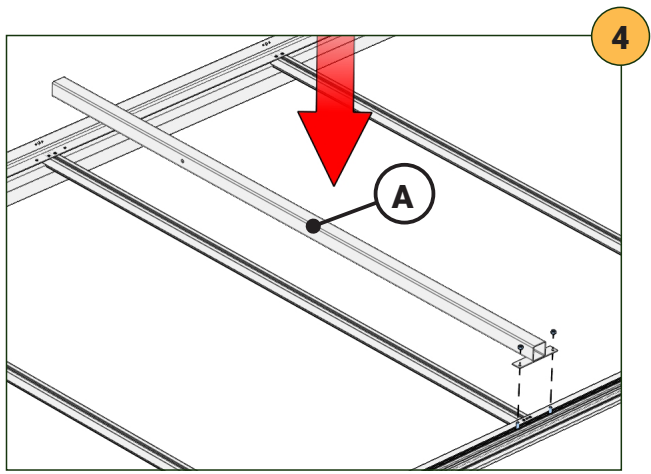
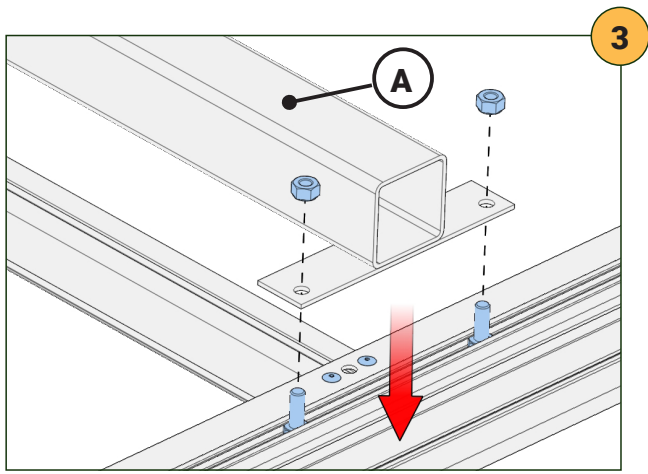
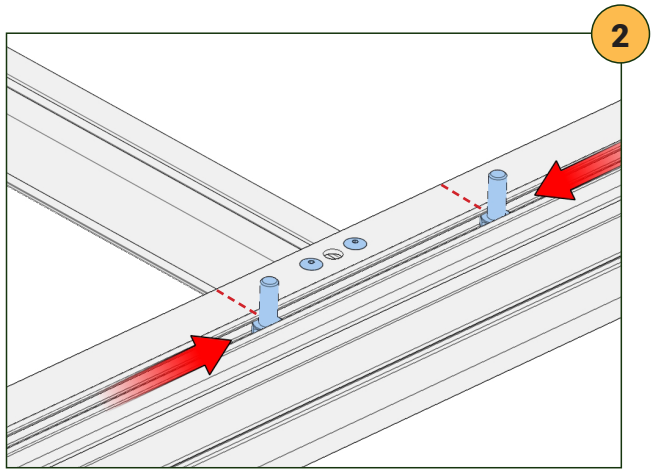
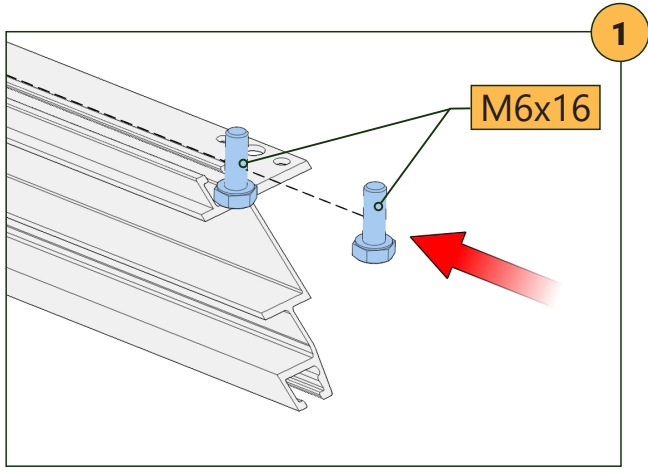
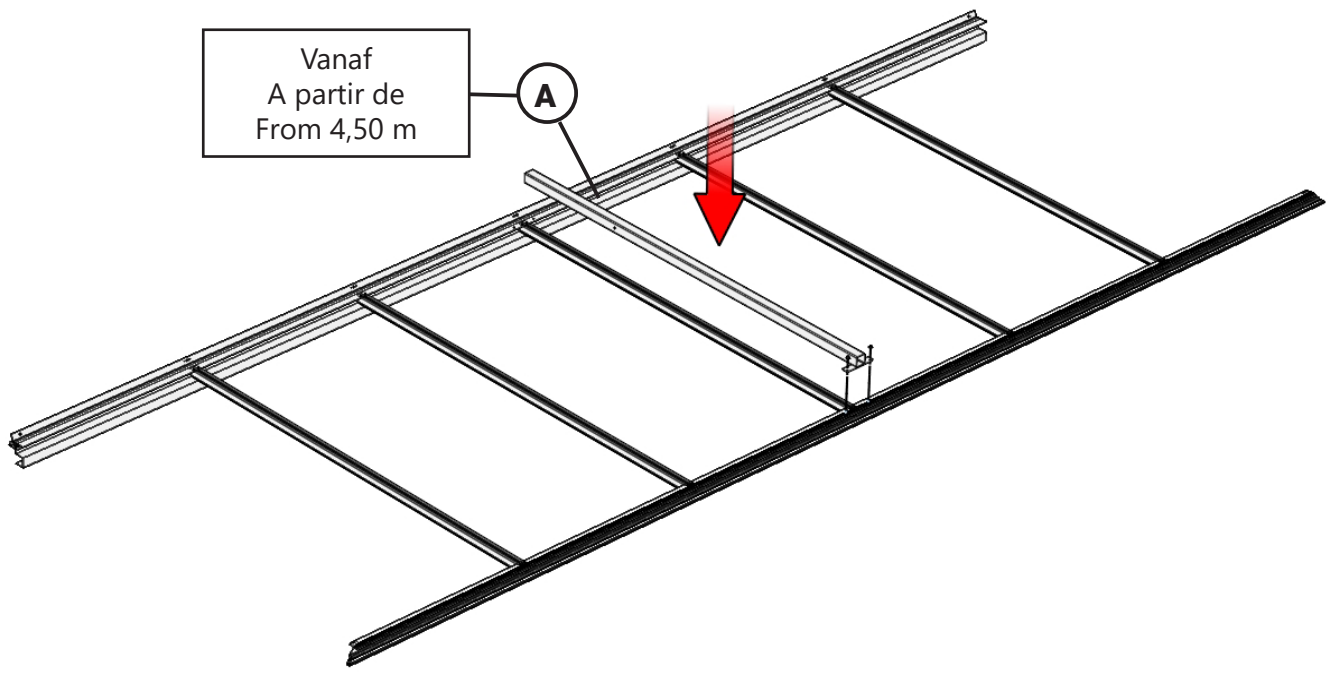
Option Sw  
p49

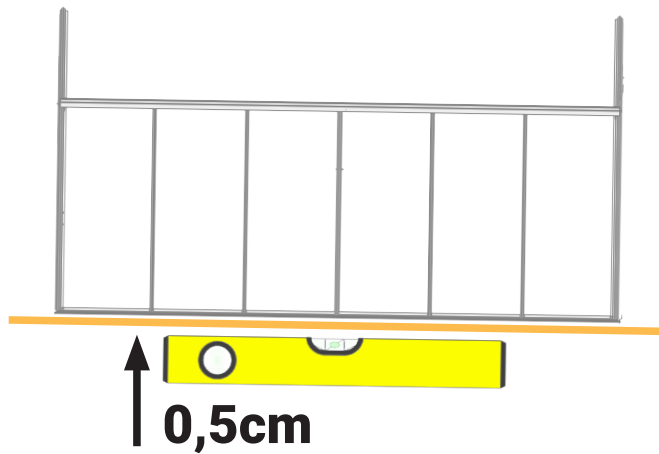
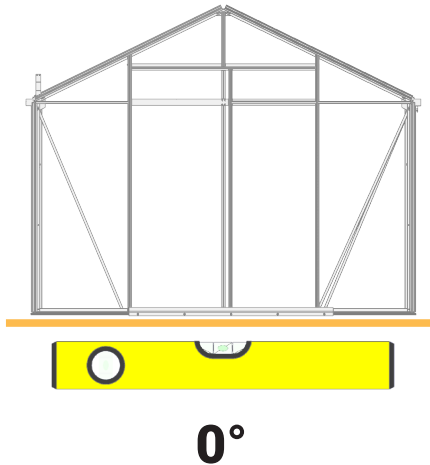
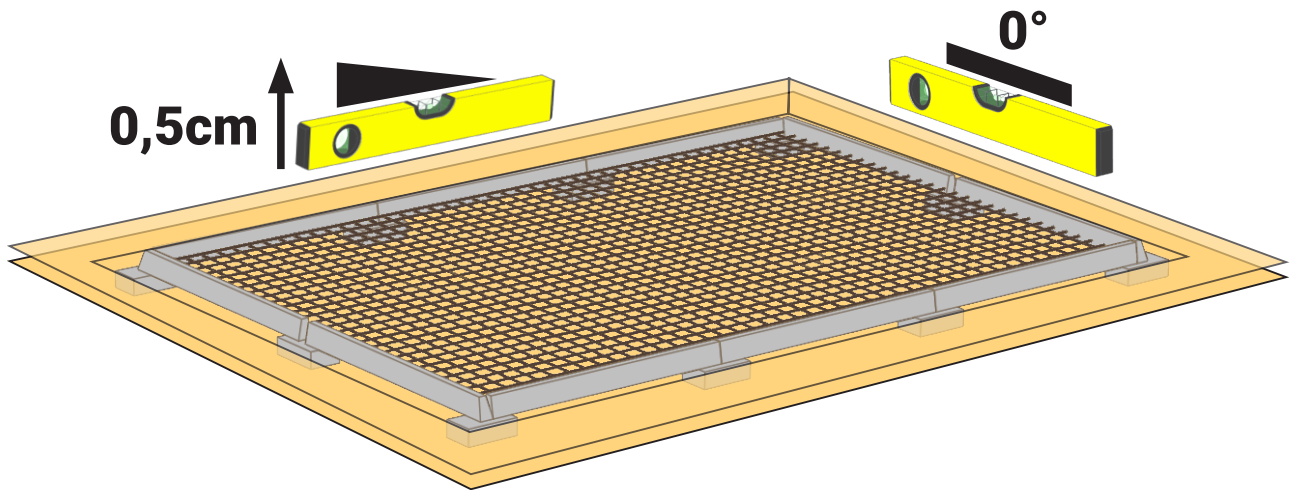
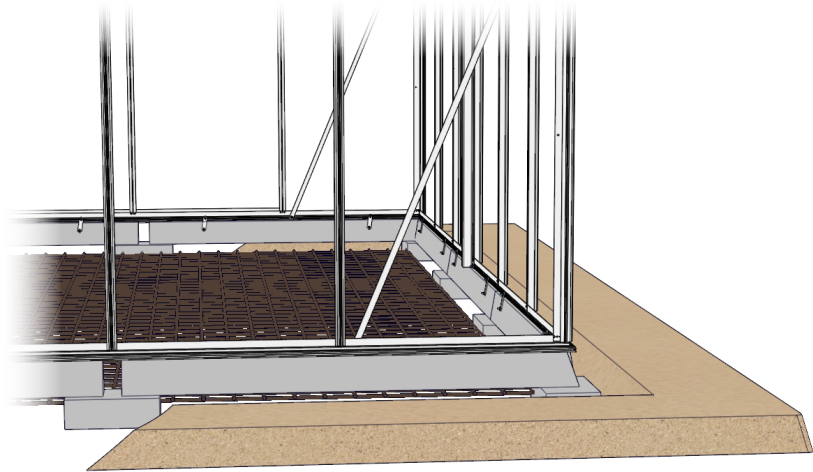
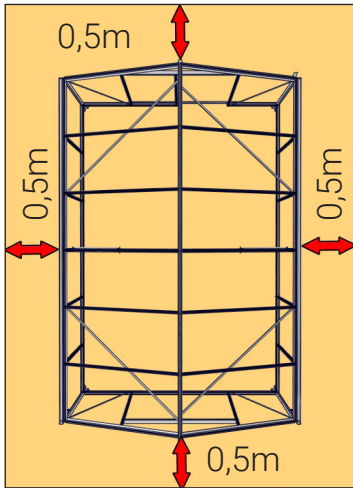
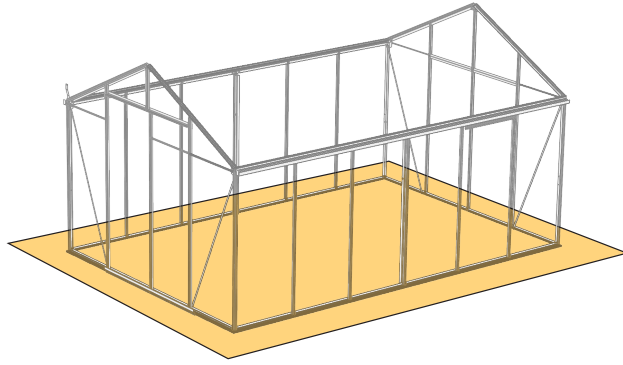


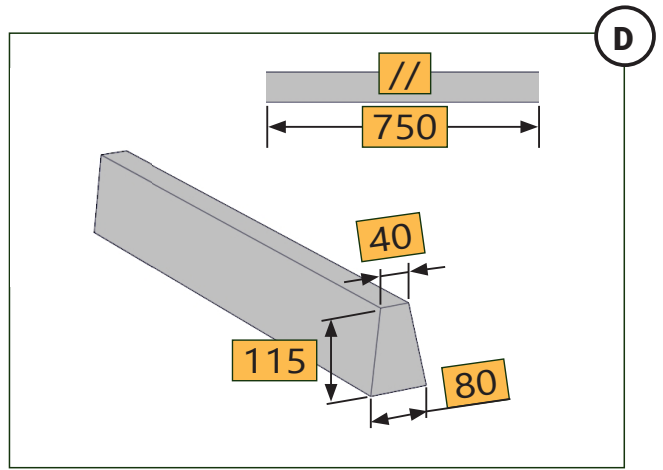
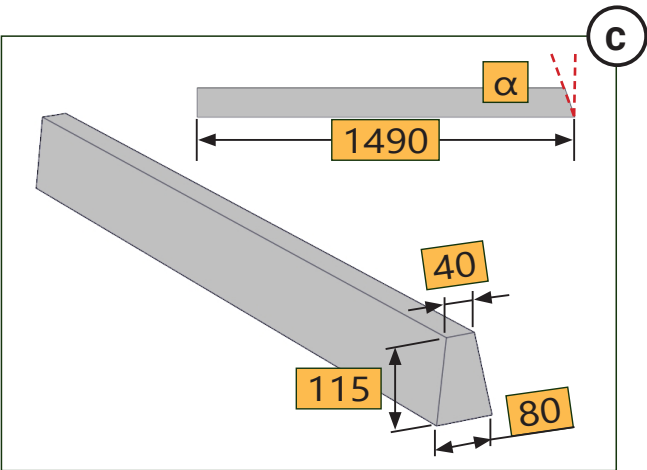
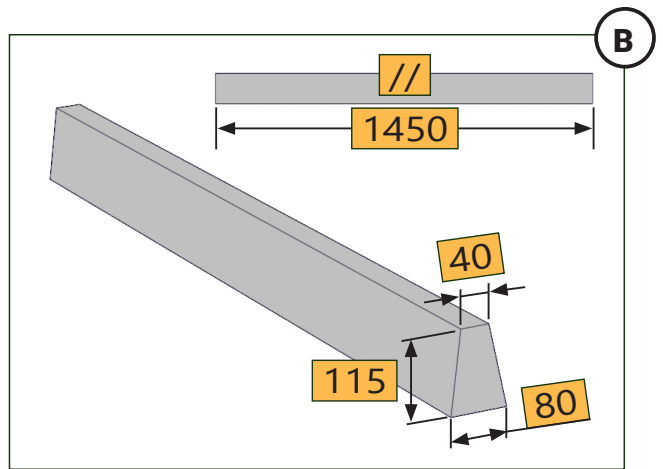
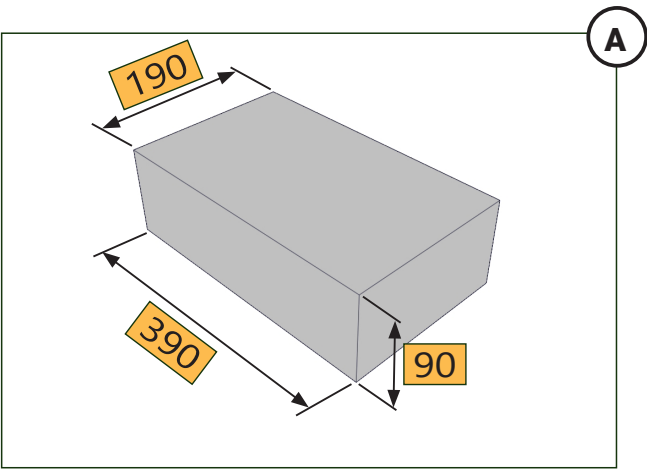
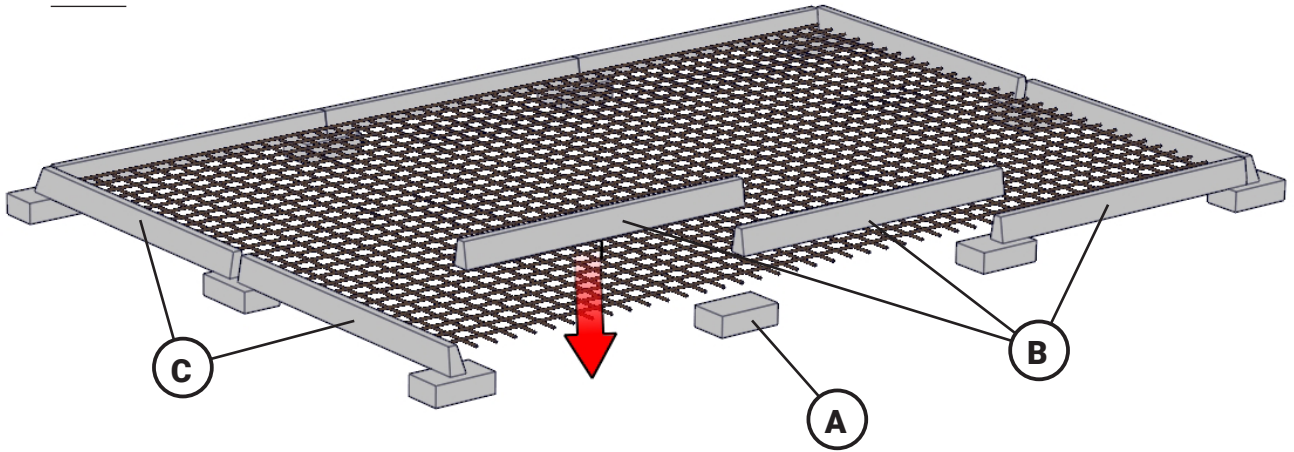
Option GG  
p46

Option GT  
p45

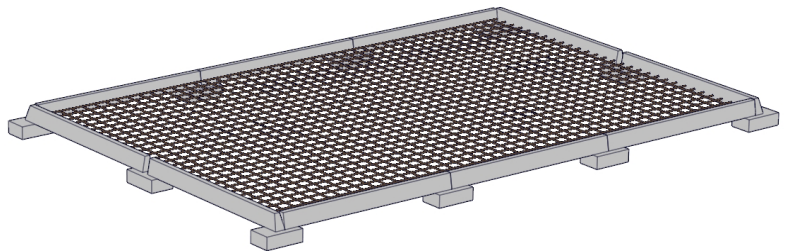


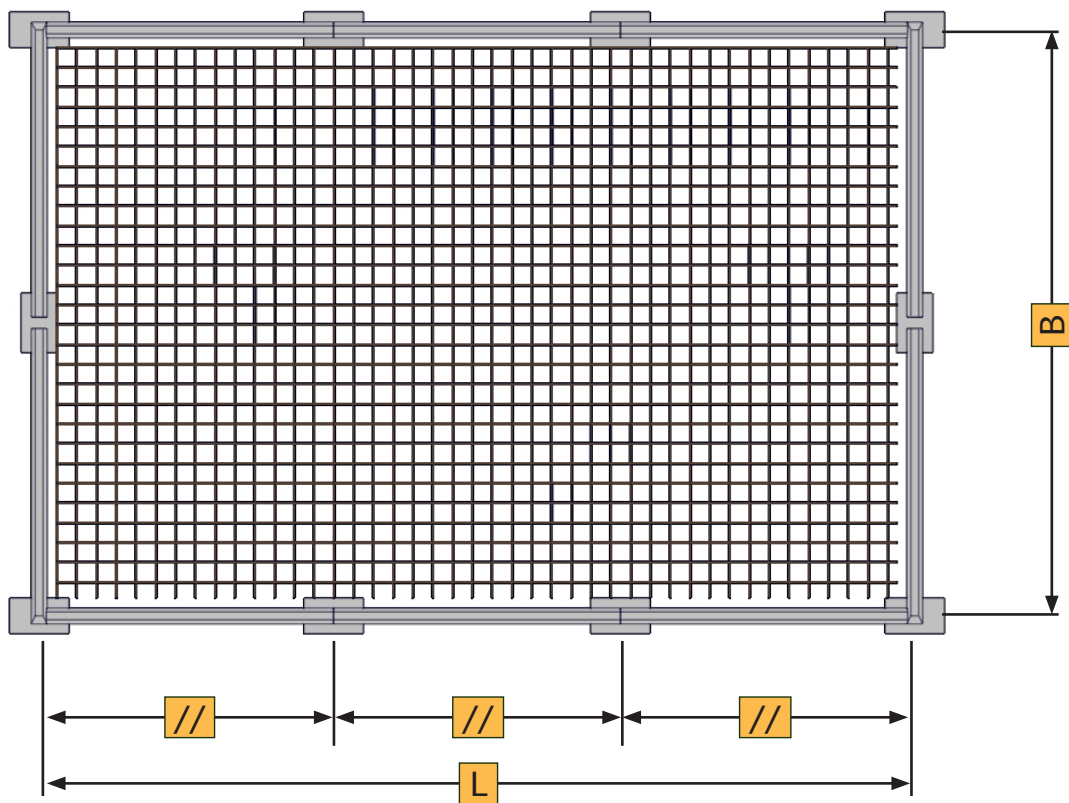


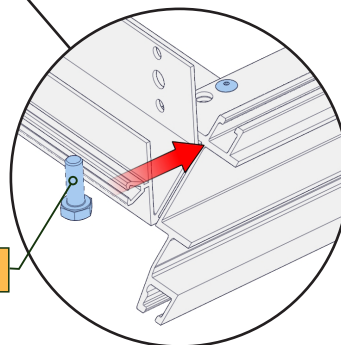
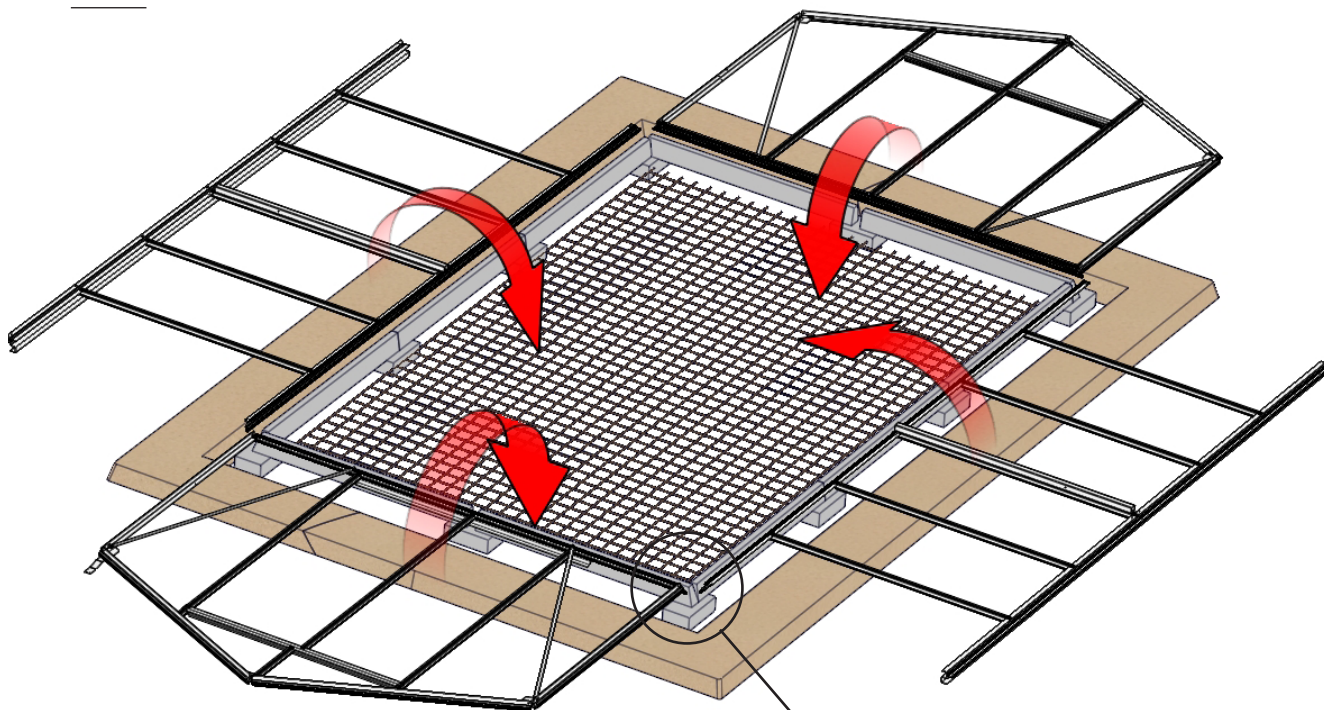




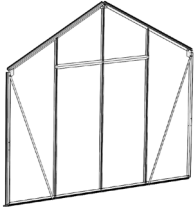
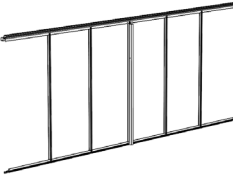
TYPE	A	B	C	D
3,00 m	8x	4x	4x	0x
3,75 m	10x	4x	4x	2x
4,50 m	10x	6x	4x	0x
5,25 m	12x	6x	4x	2x
6,00 m	12x	8x	4x	0x

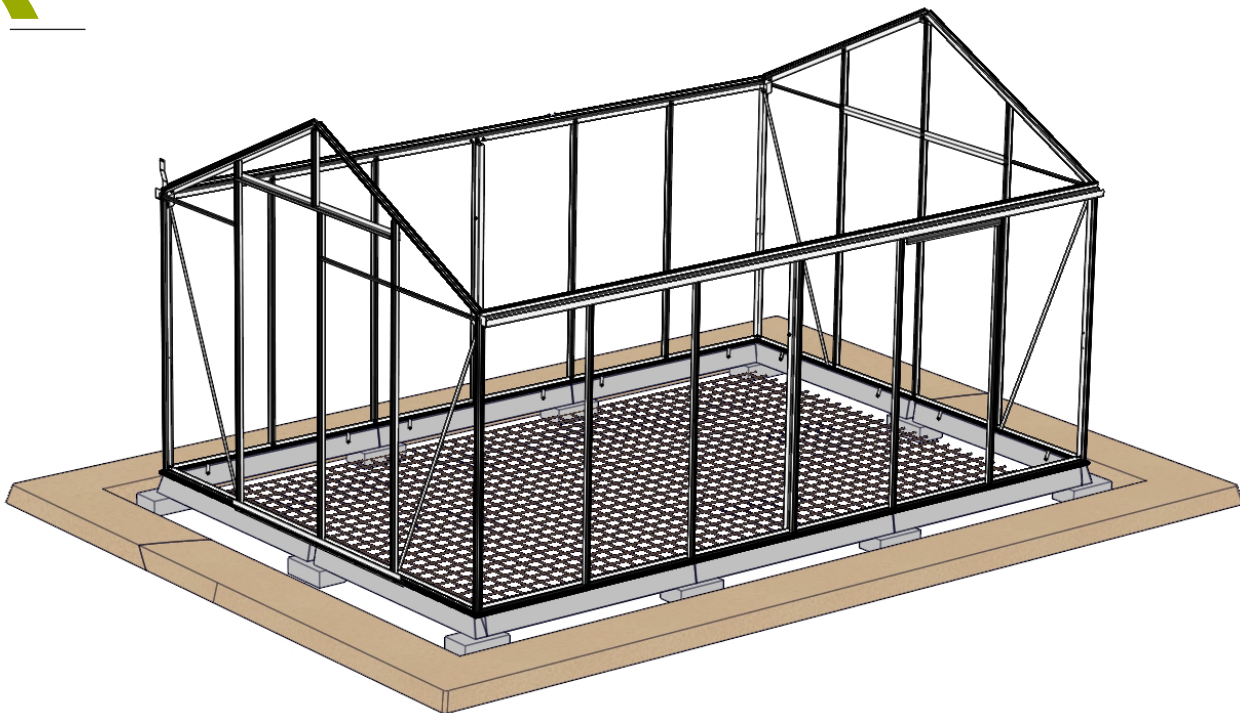




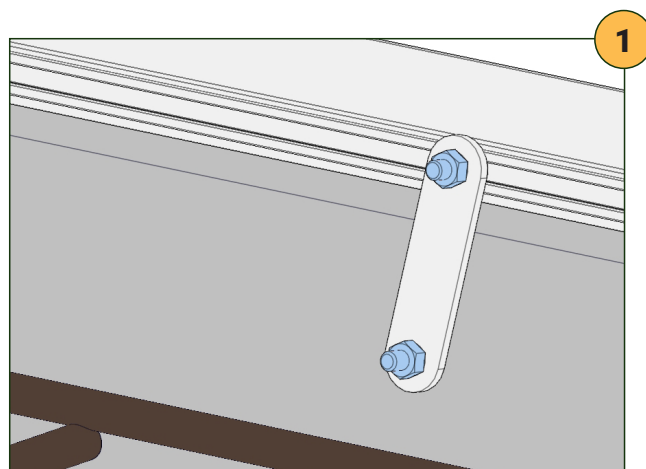
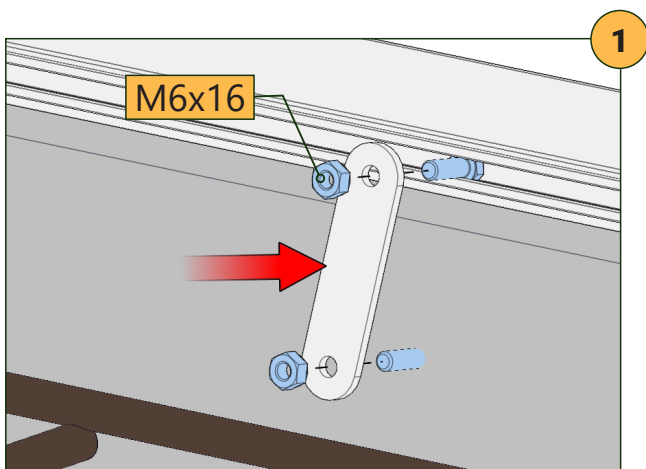
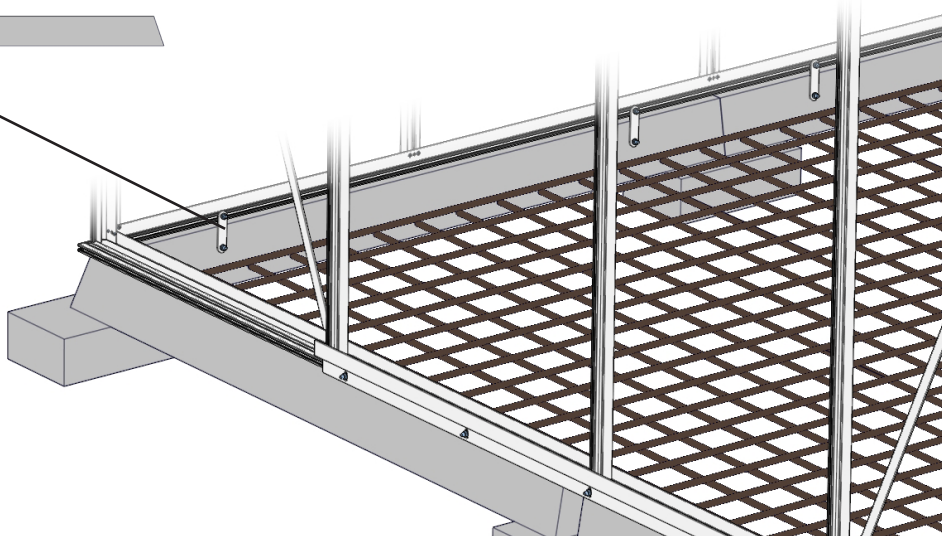


M6x16

TYPE		
3,00 m	2x	2x
3,75 m	2x	3x
4,50 m	2x	3x
5,25 m	2x	4x
6,00 m	2x	4x

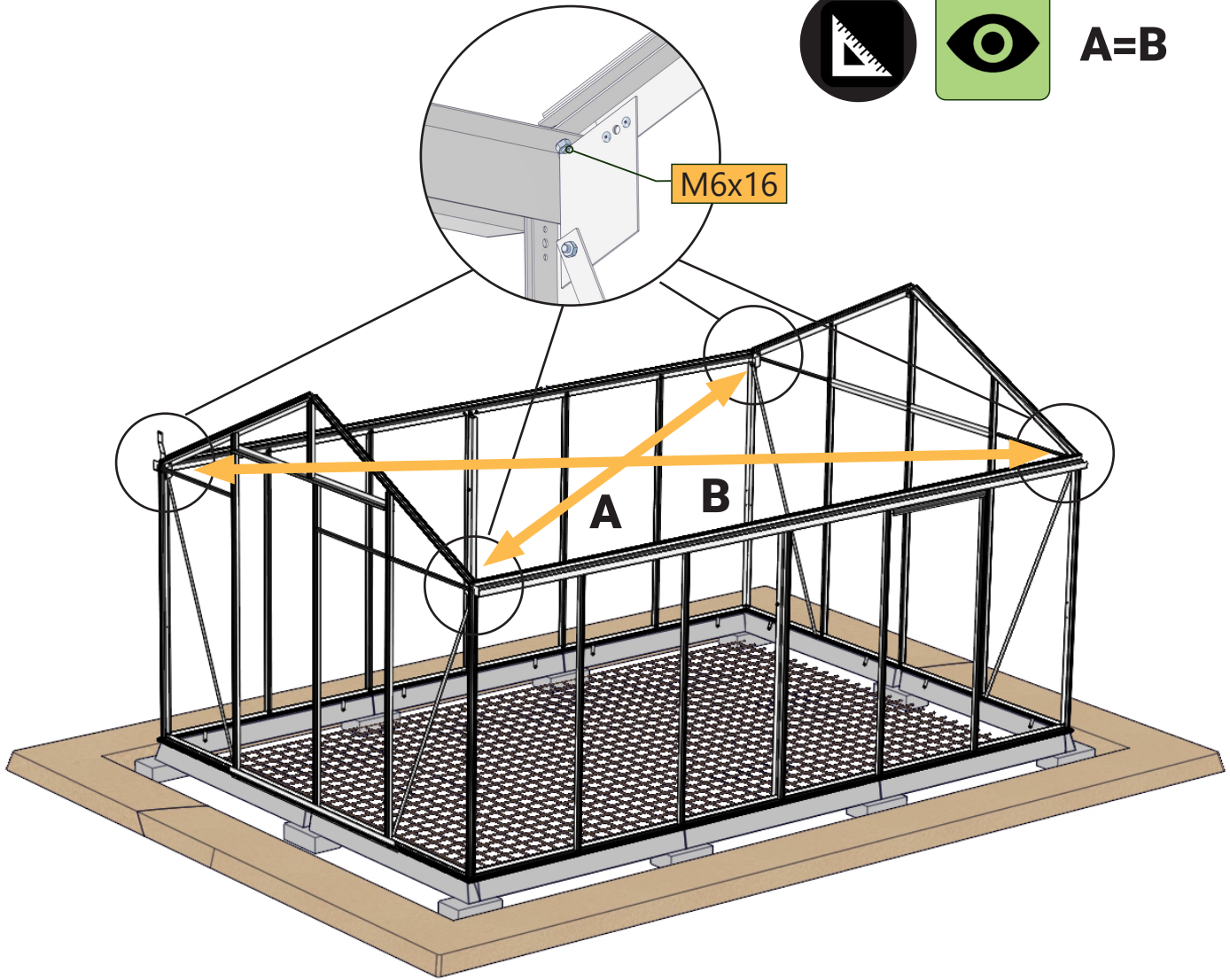


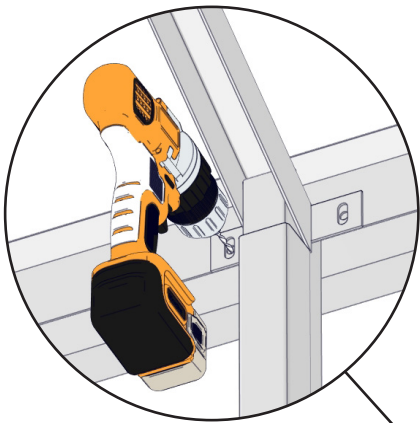
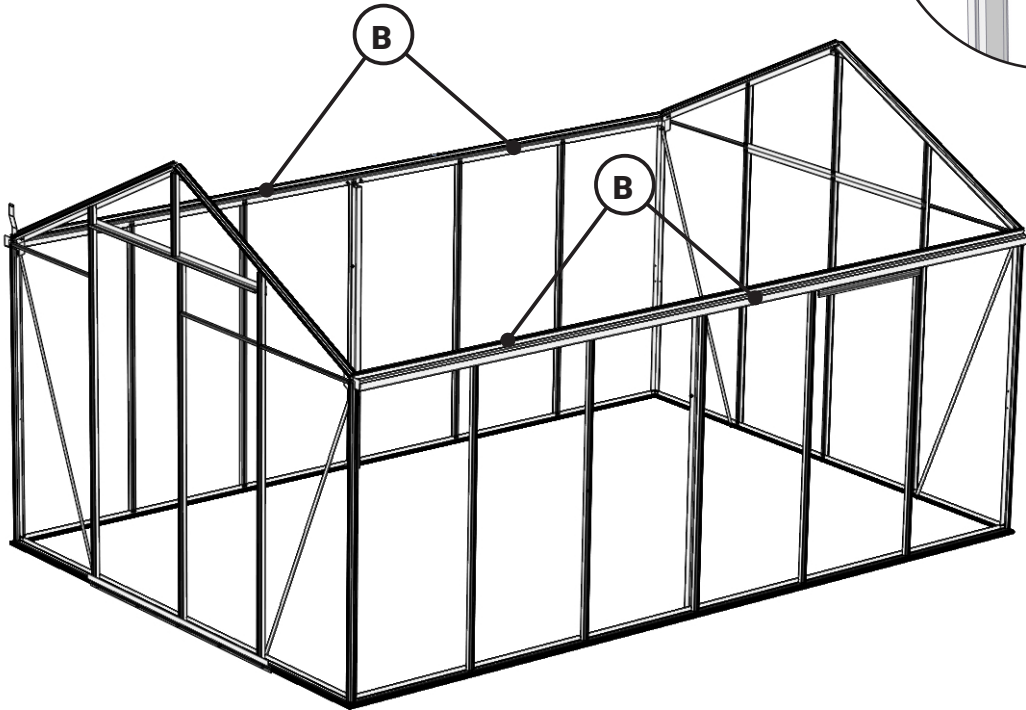
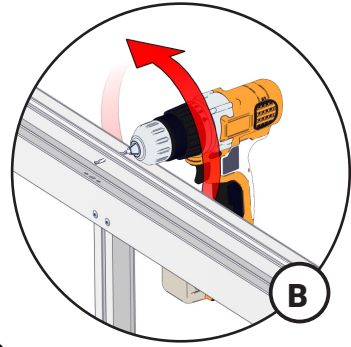
1x / 





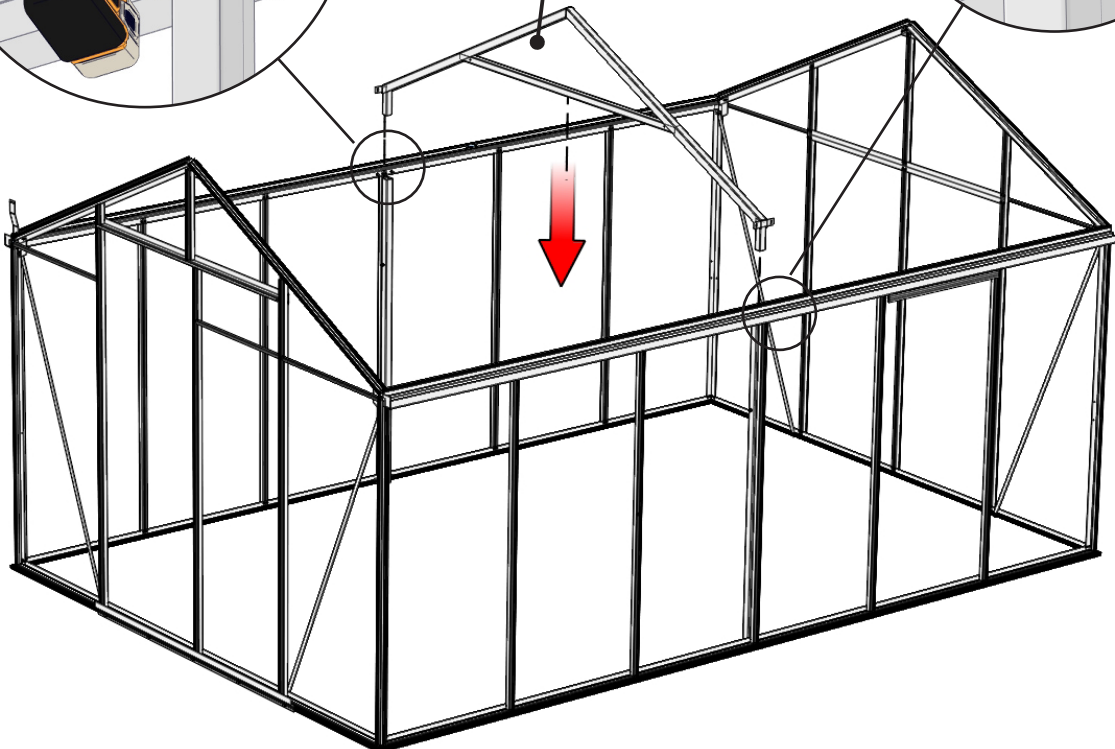
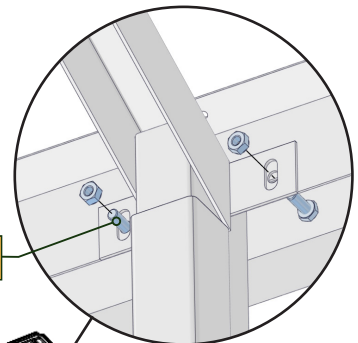
A=B



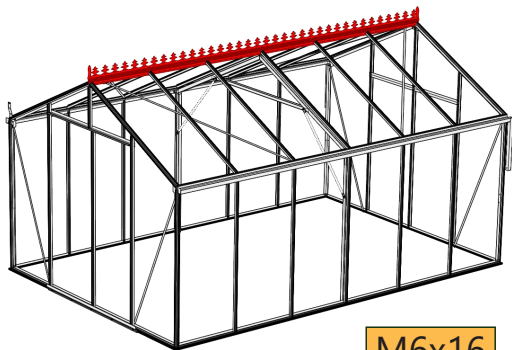
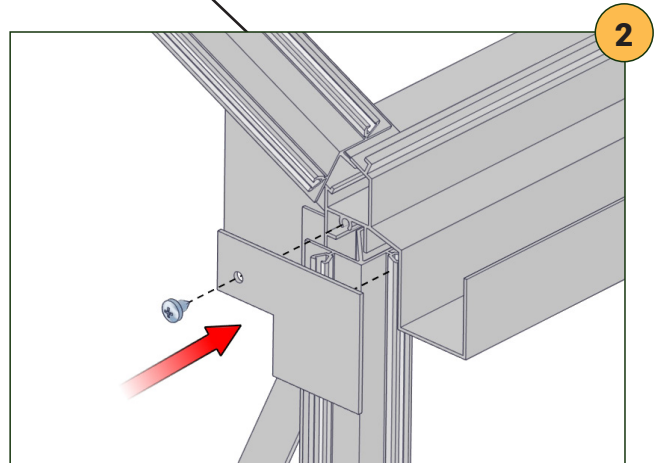
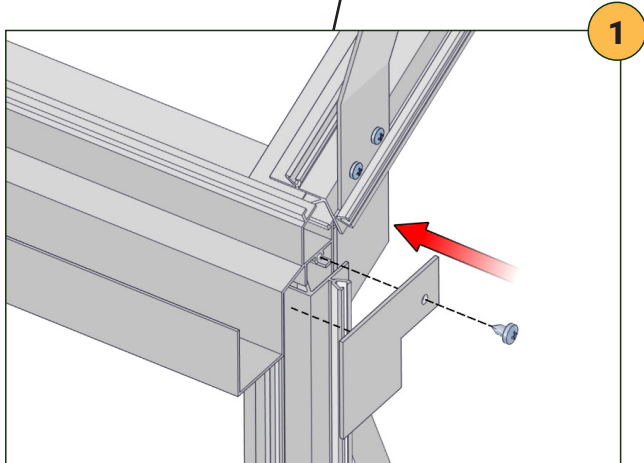
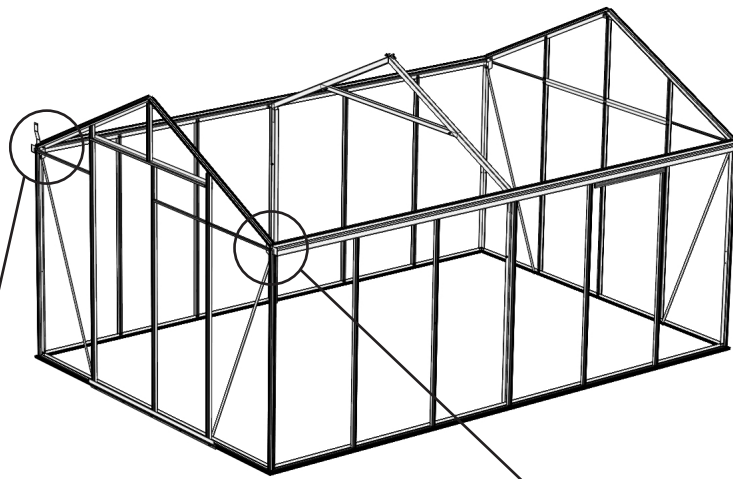


Vanaf  
A partir de  
From 4,50 m

M8x20

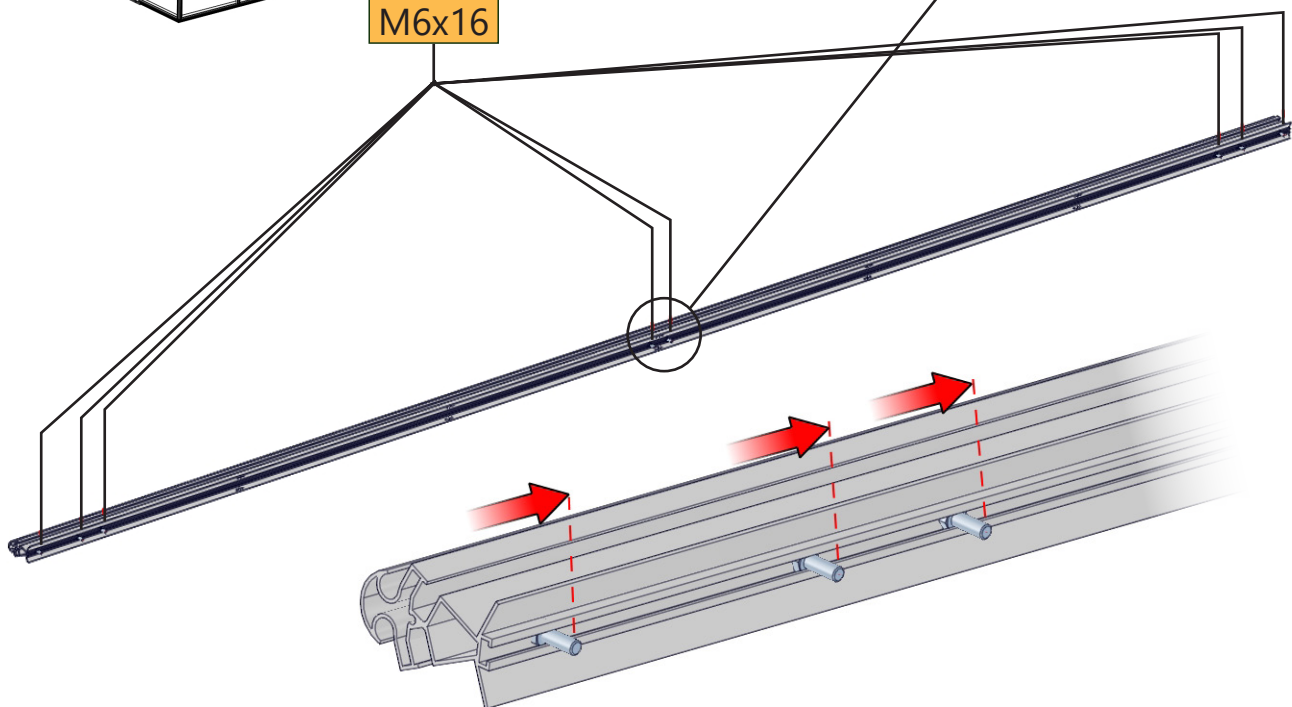


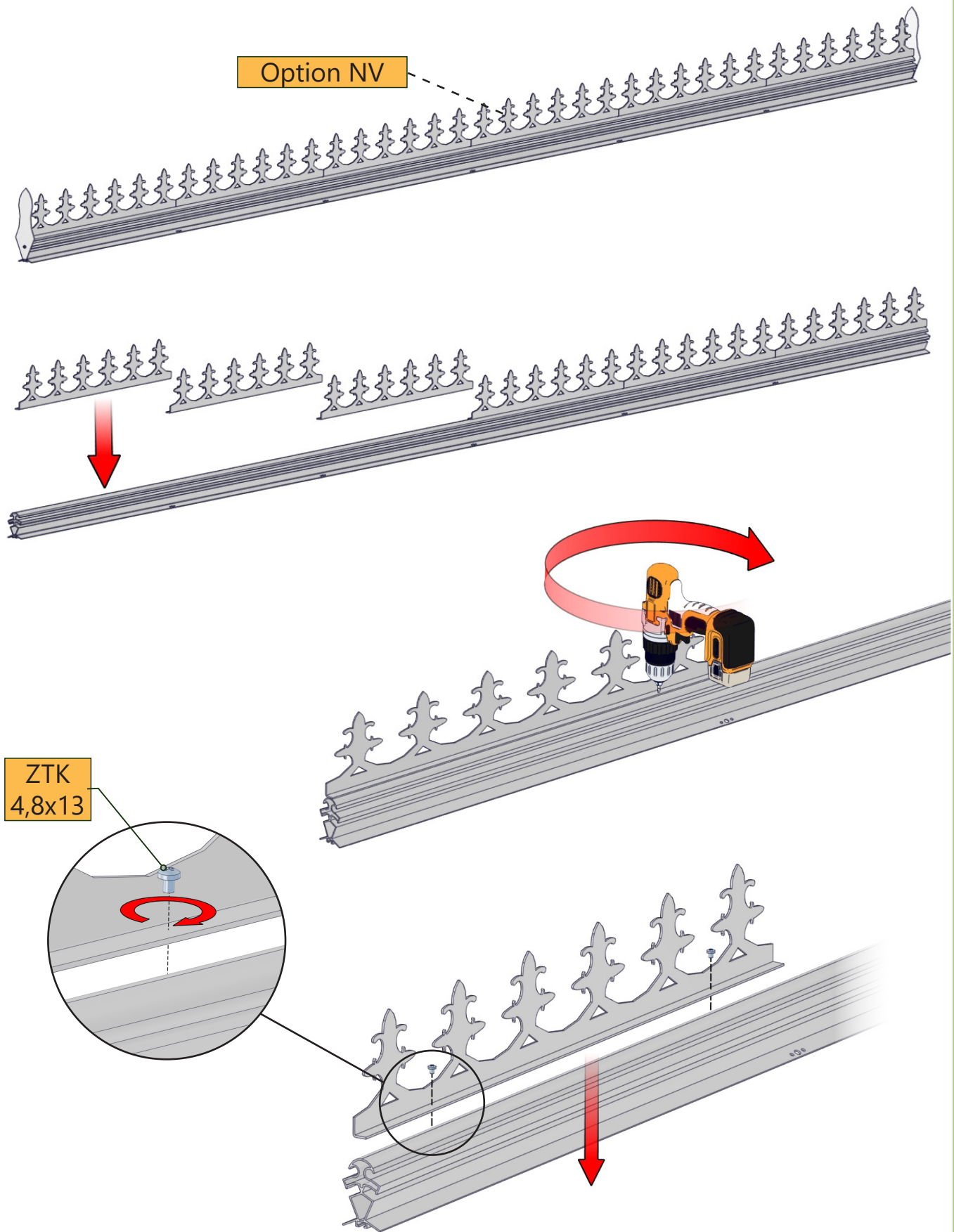


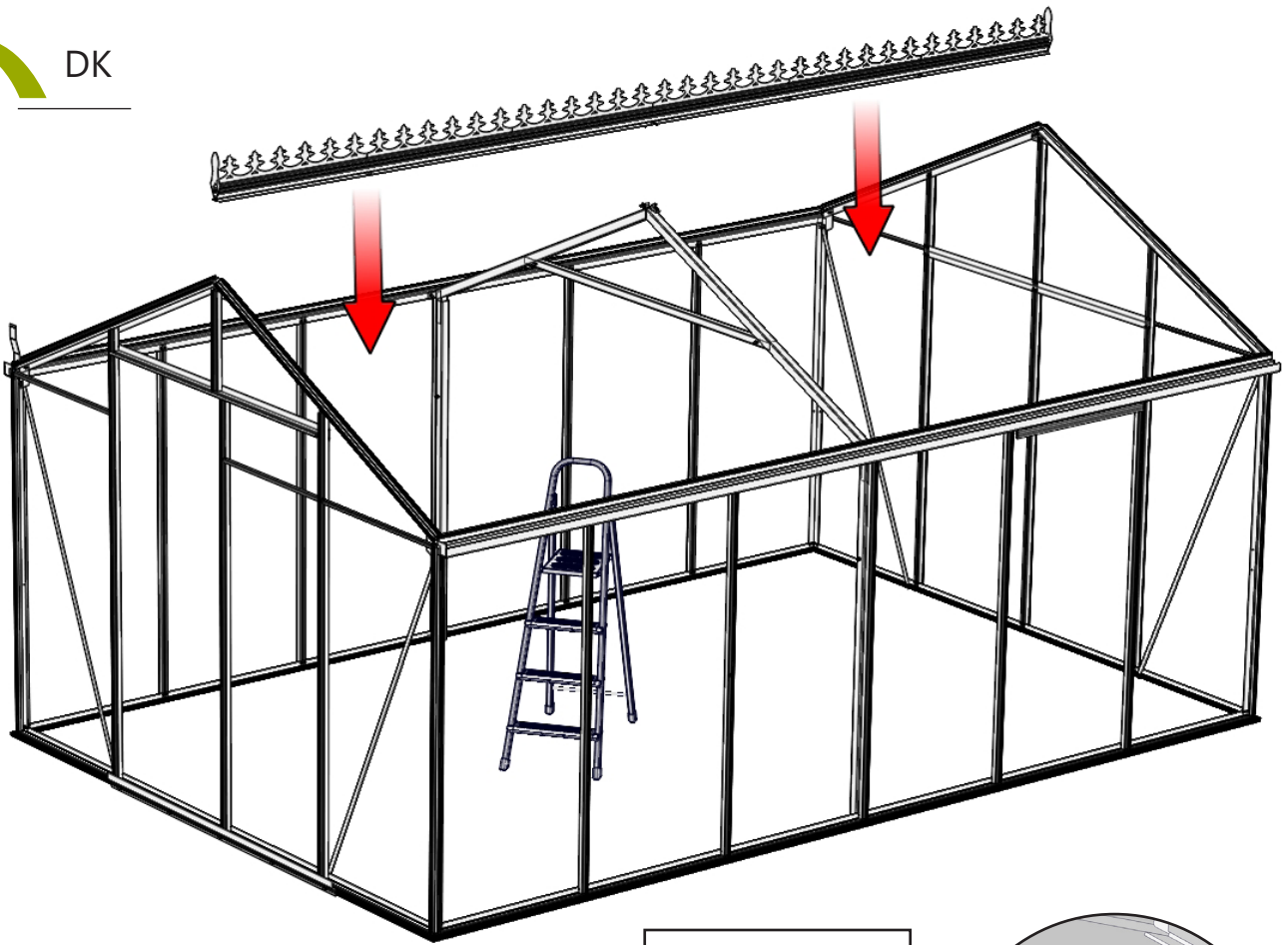


Vanaf  
A partir de  
From 4,50 m

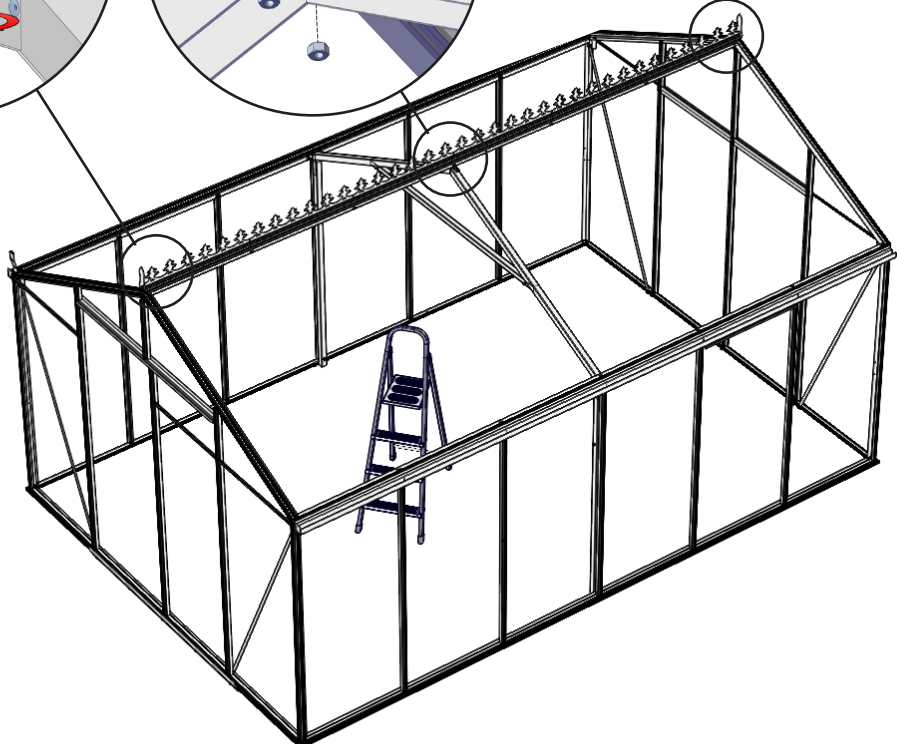
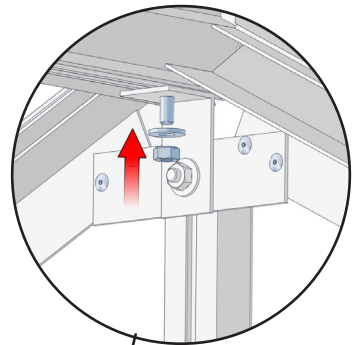
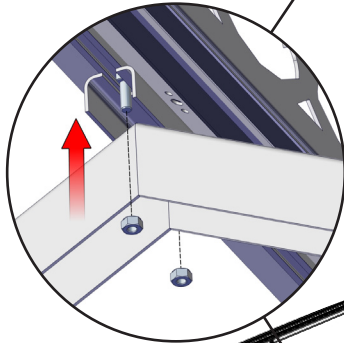
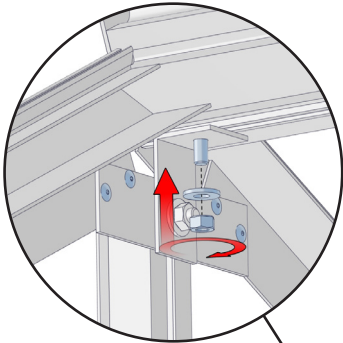
M6x16



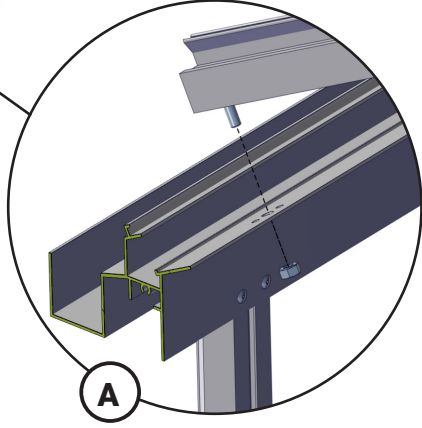
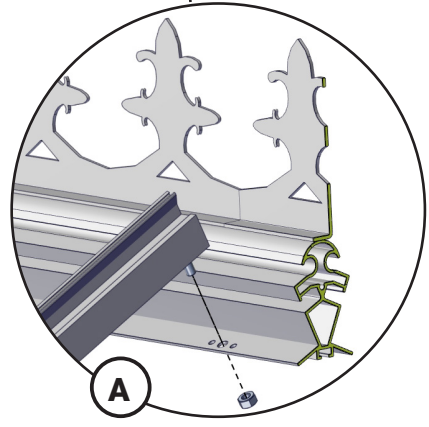
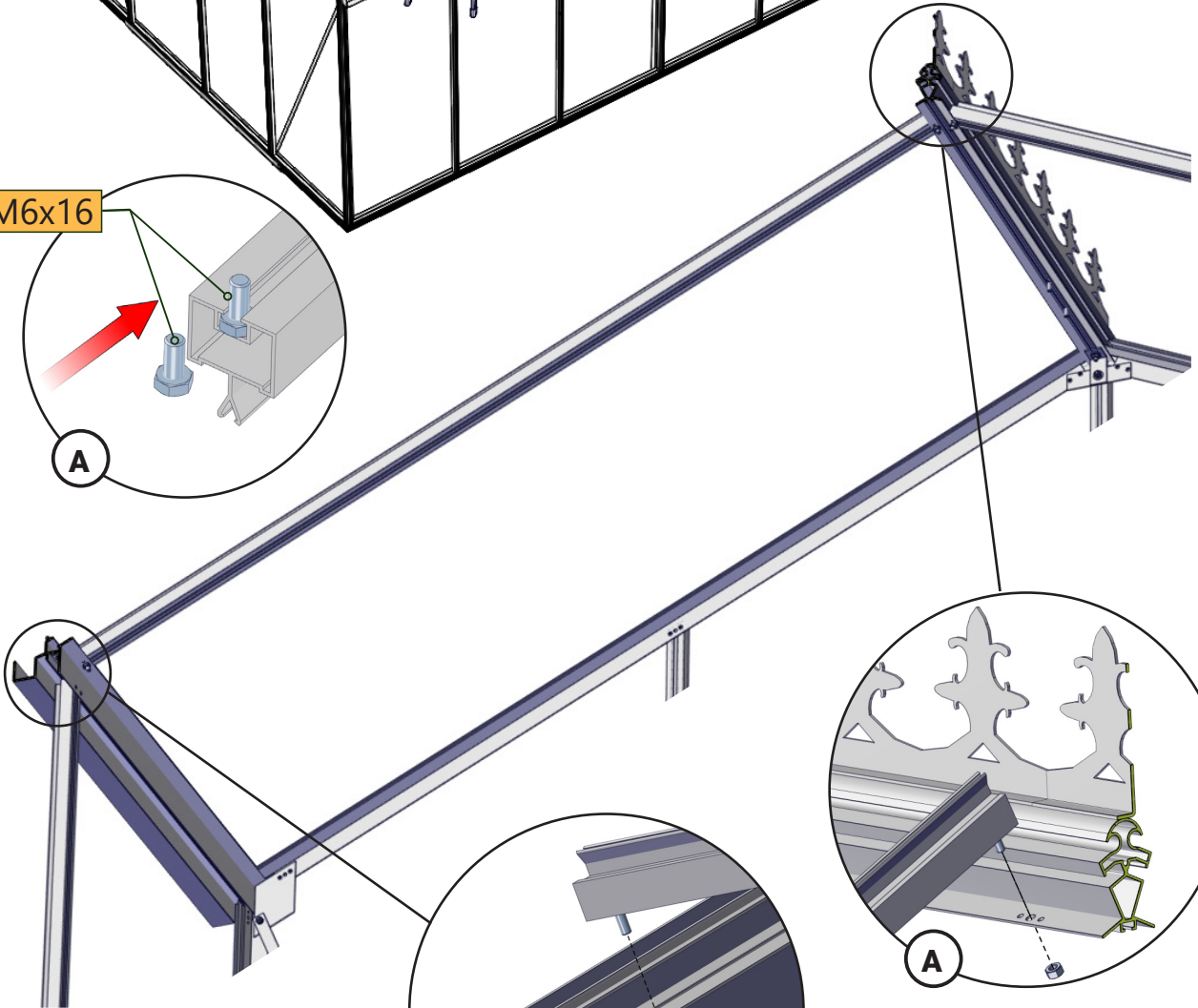
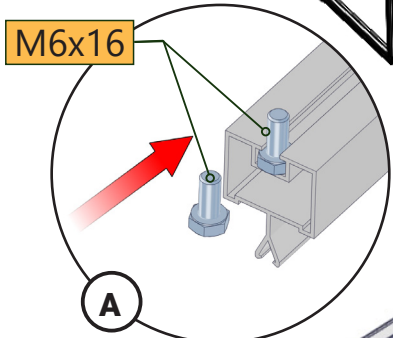
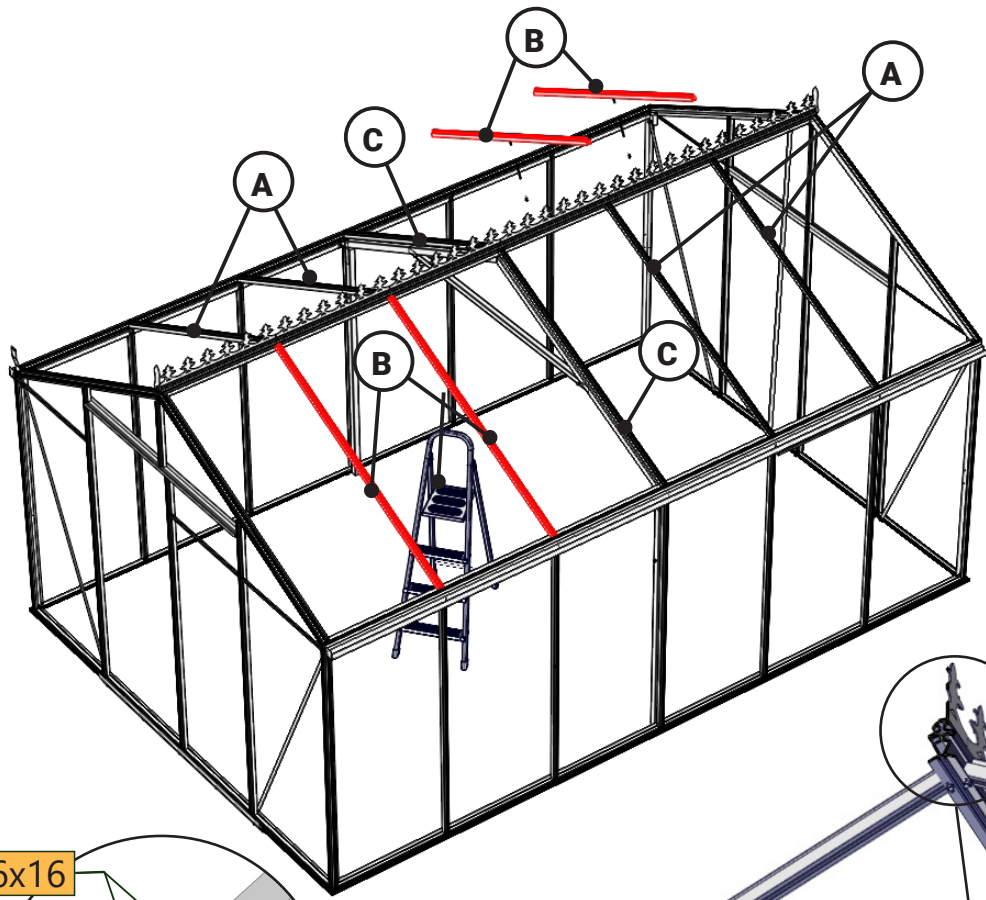


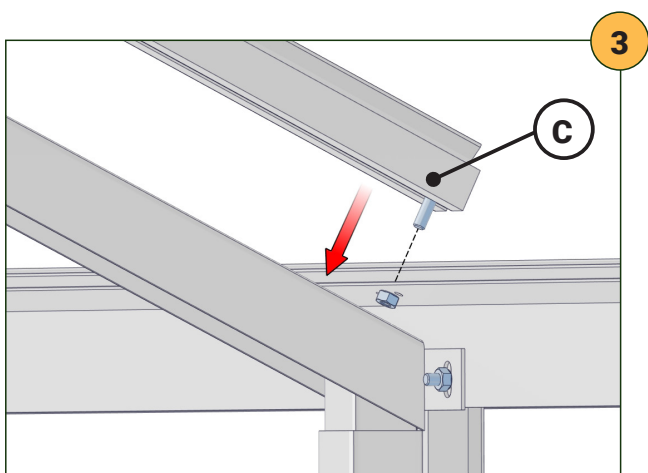
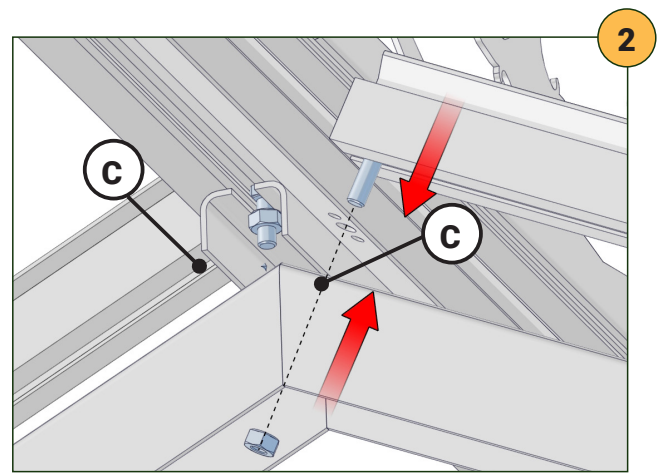
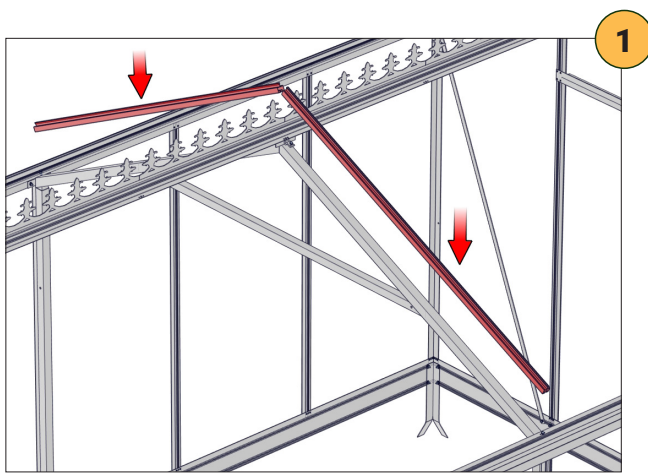
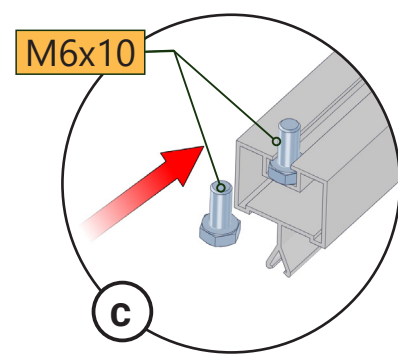
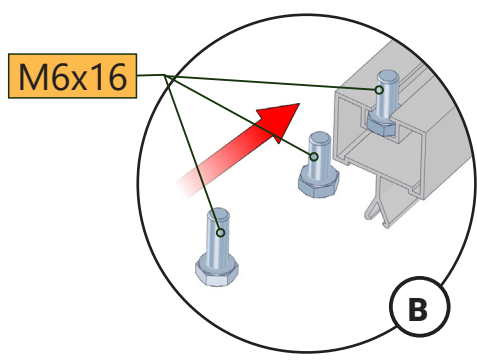
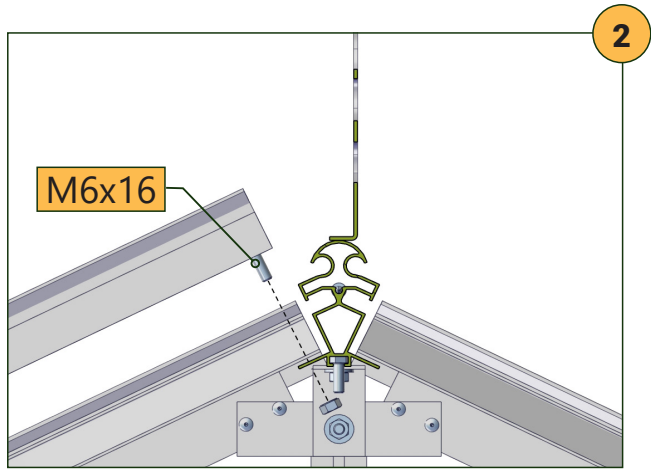
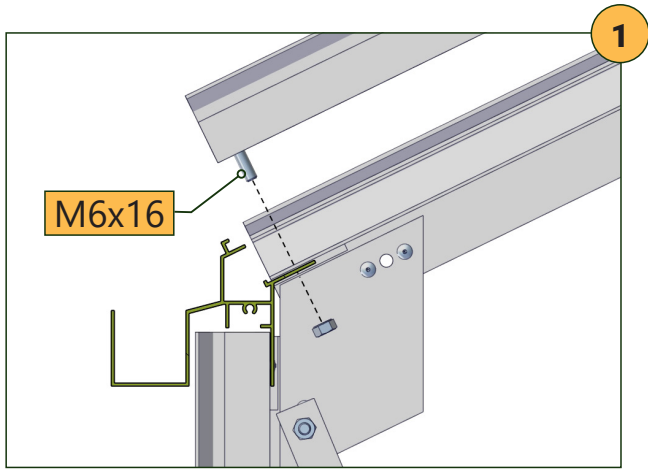


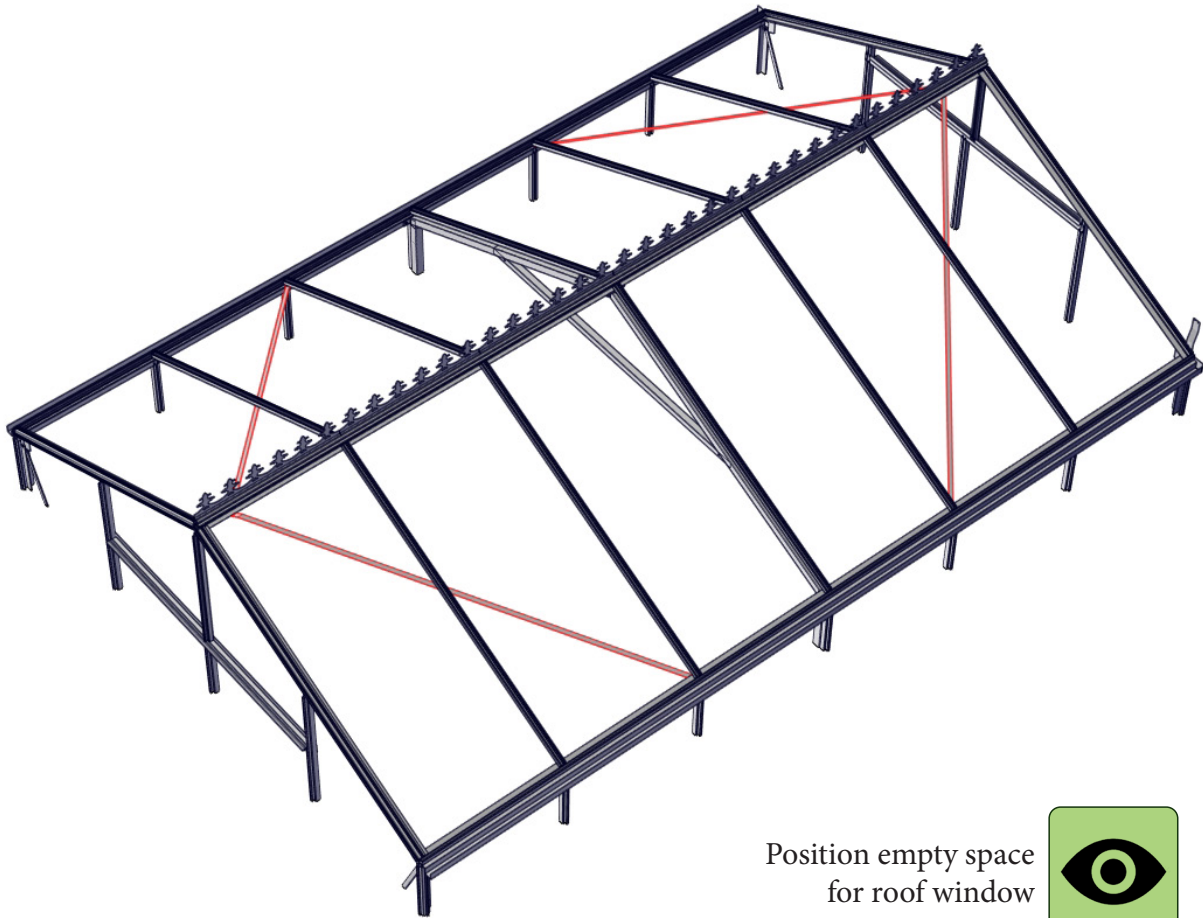
Vanaf  
A partir de  
From 4,50 m



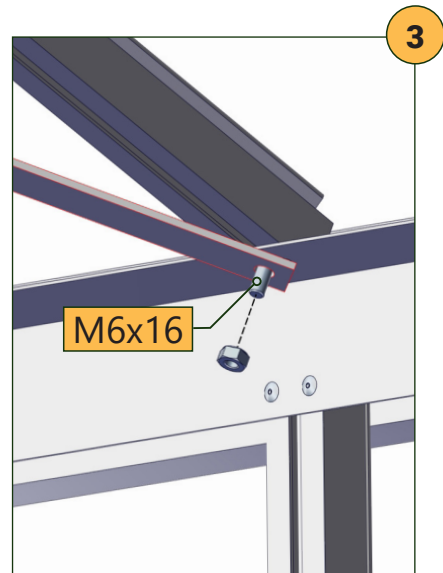
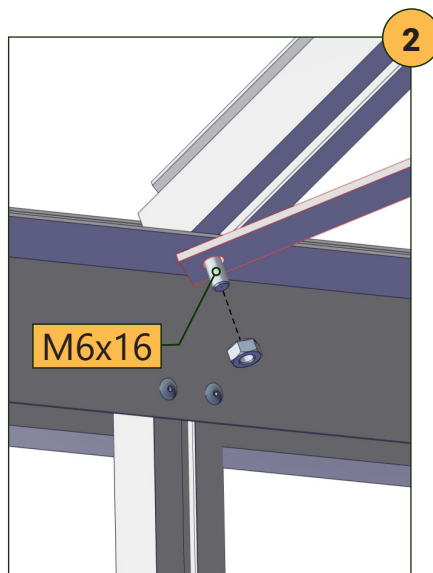
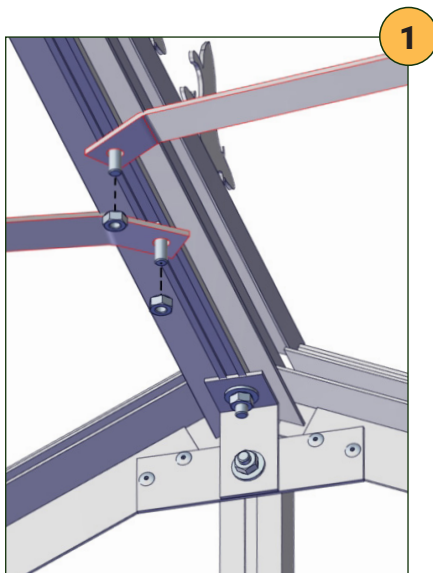
A = No roof vent / Pas de lucarne / Geen dakvenster  
 B = Roof vent / Lucarne / Dakvenster  
 C = Reinforcement / Renfort / Versterking

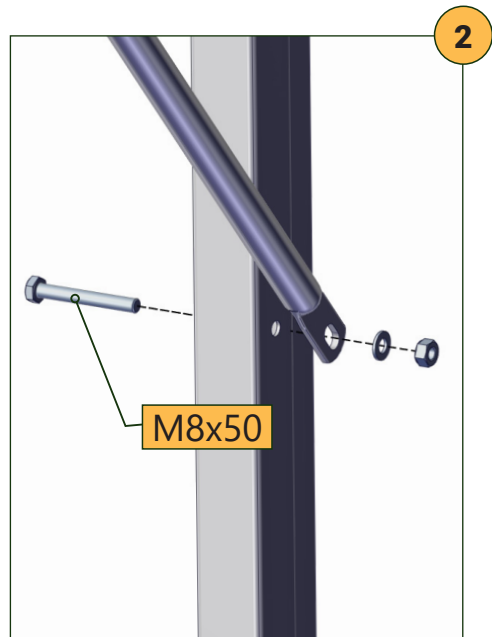
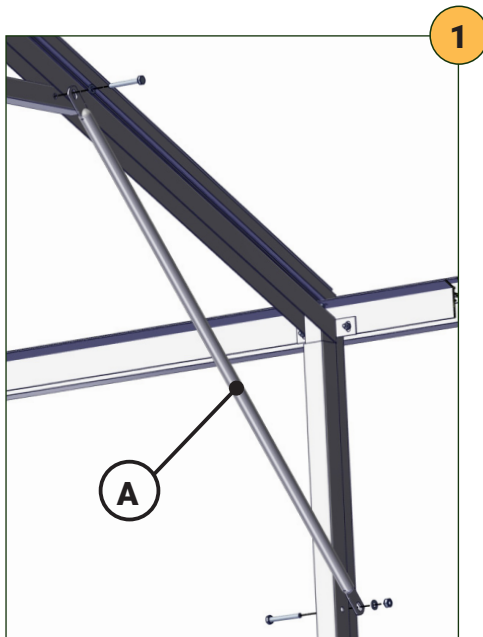
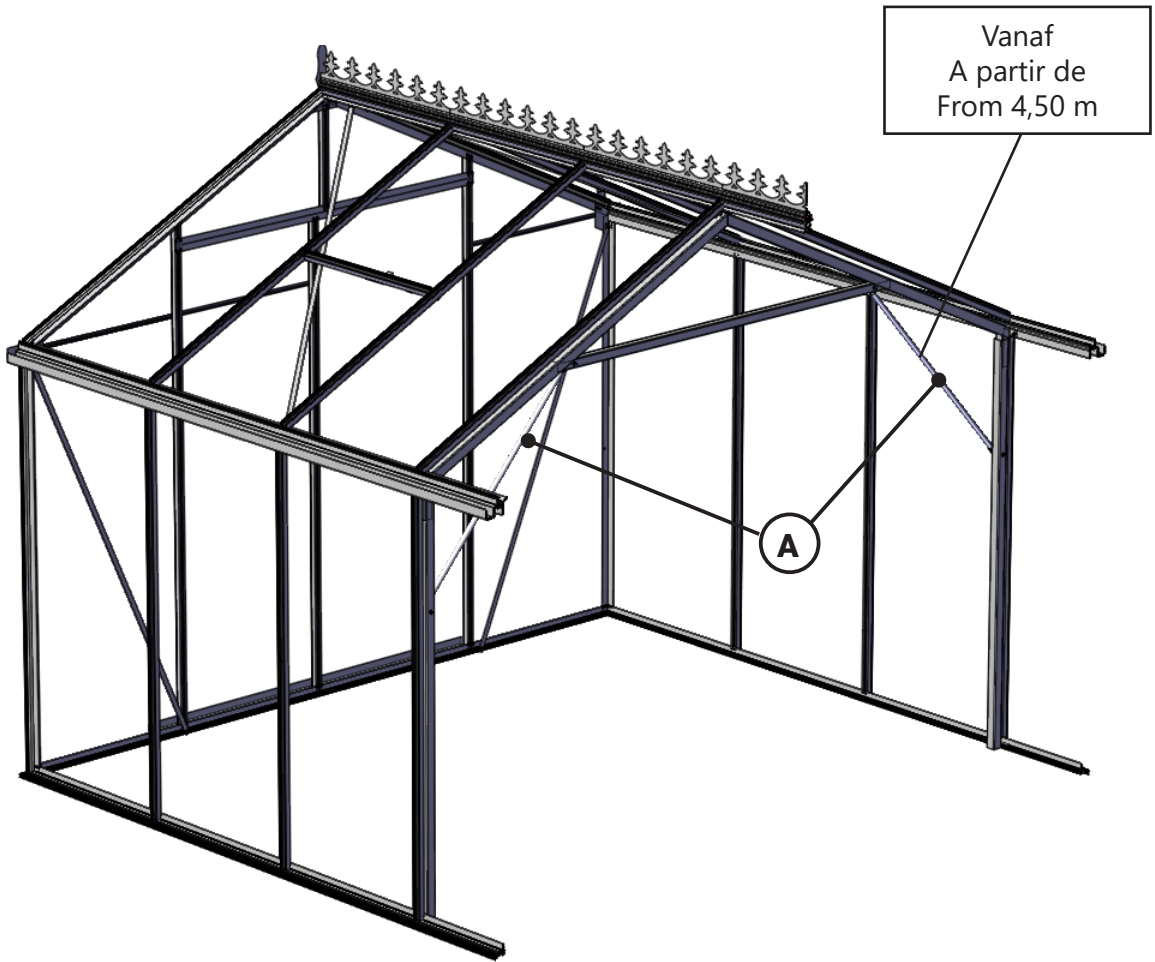


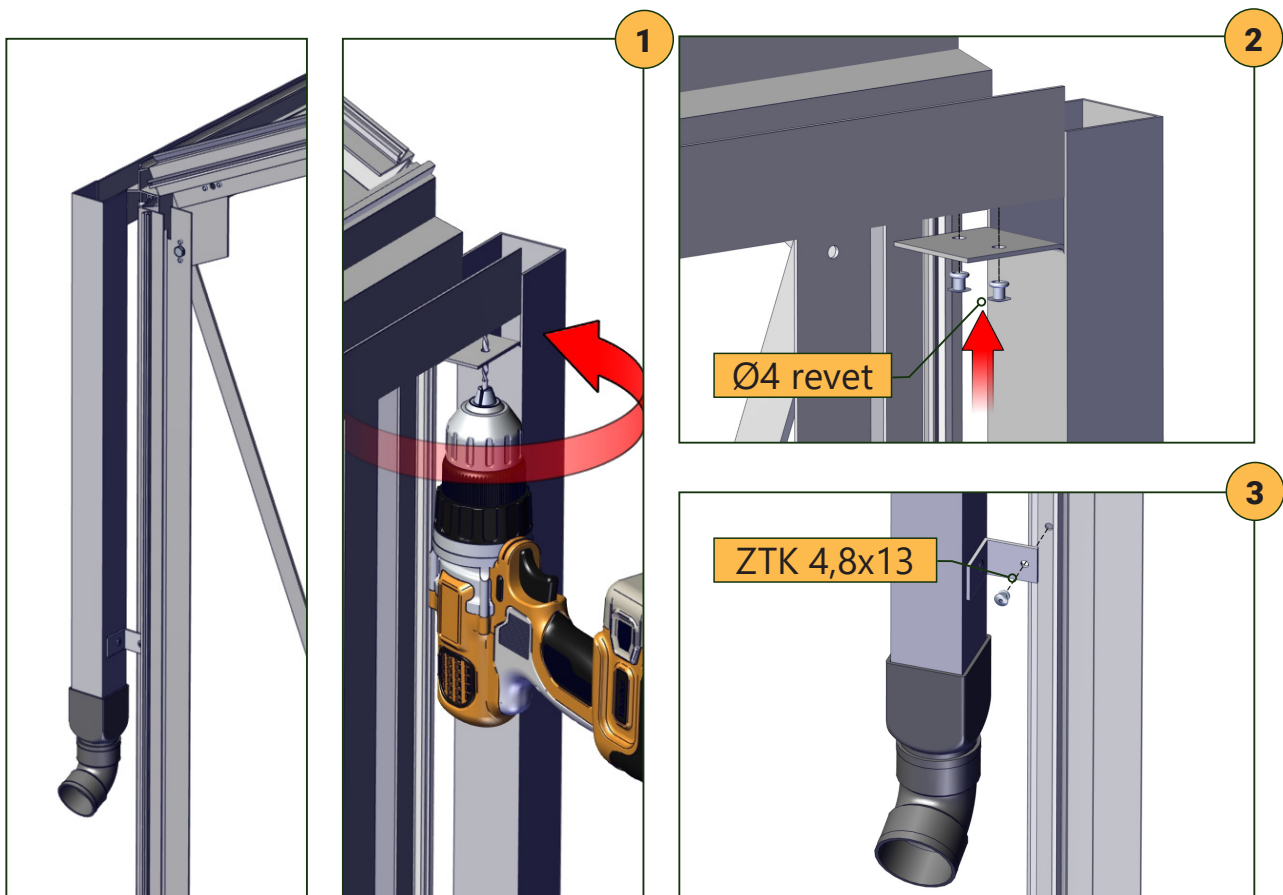
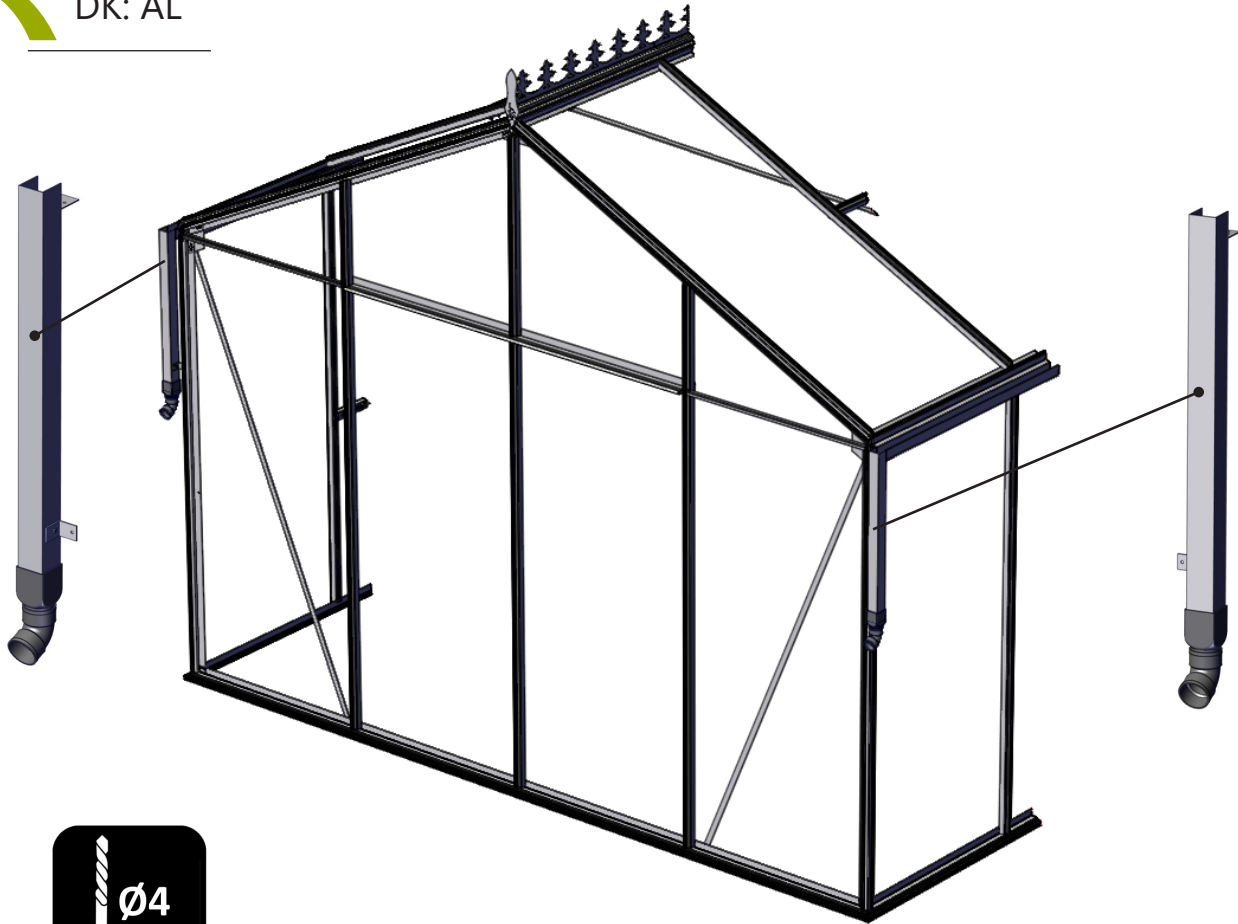




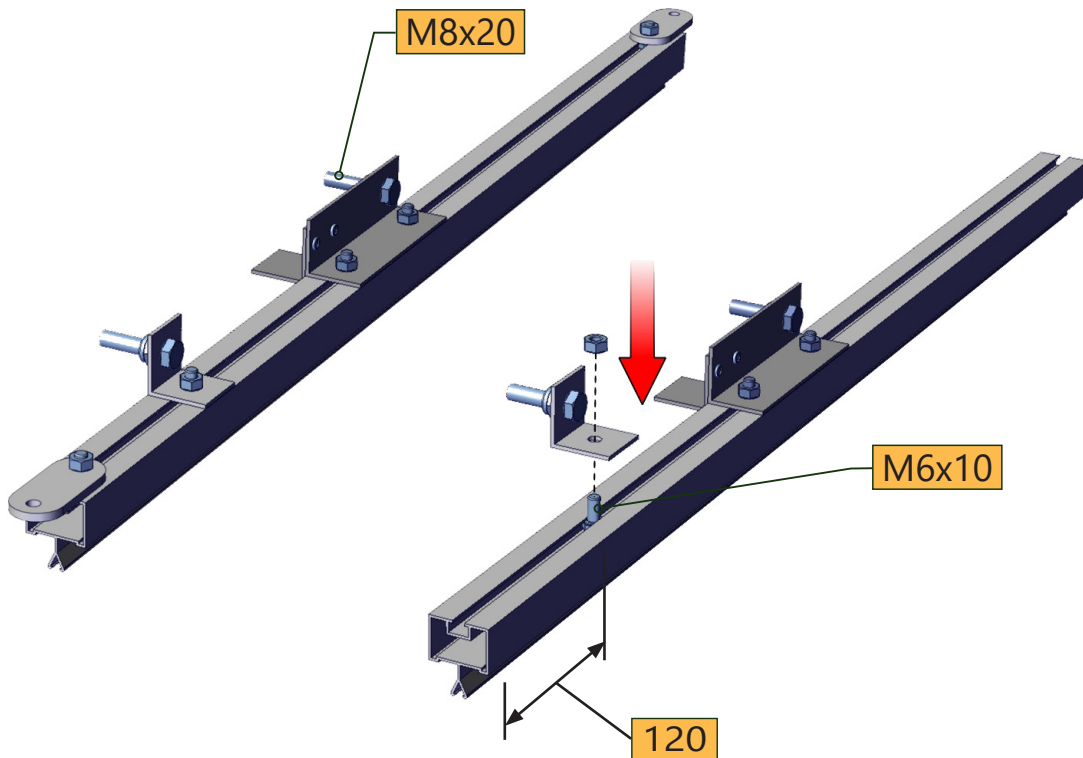
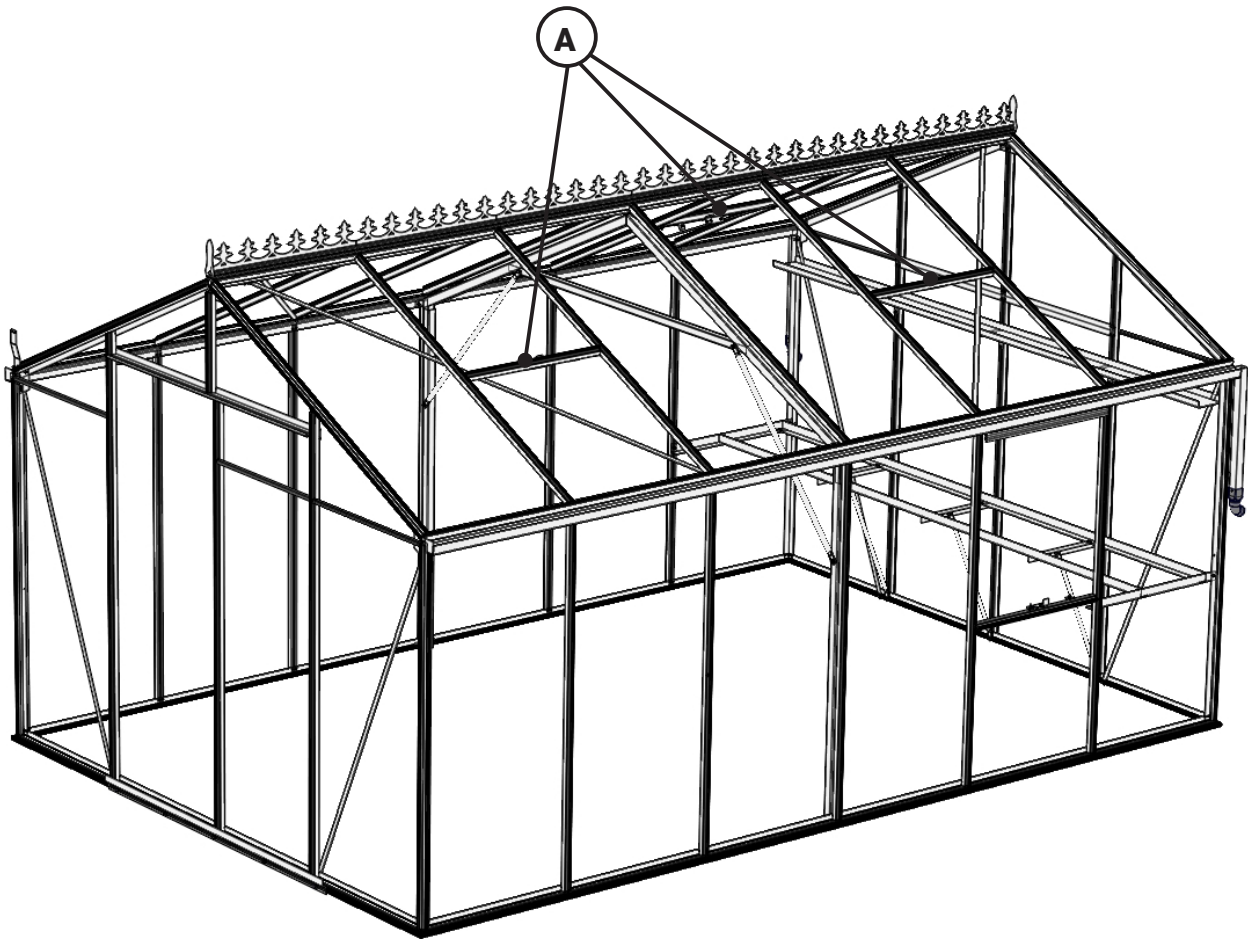
Position empty space  
for roof window

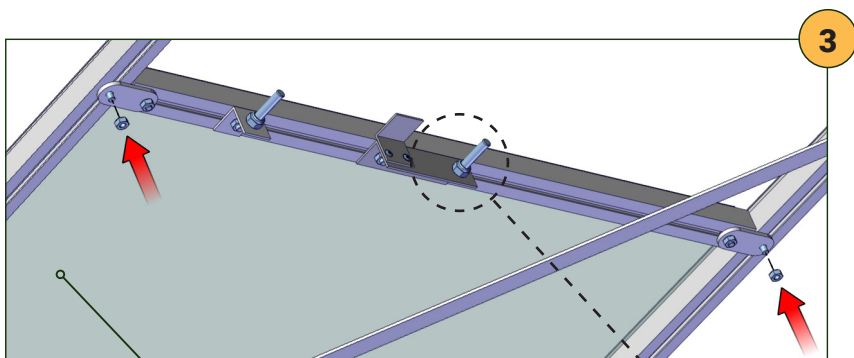
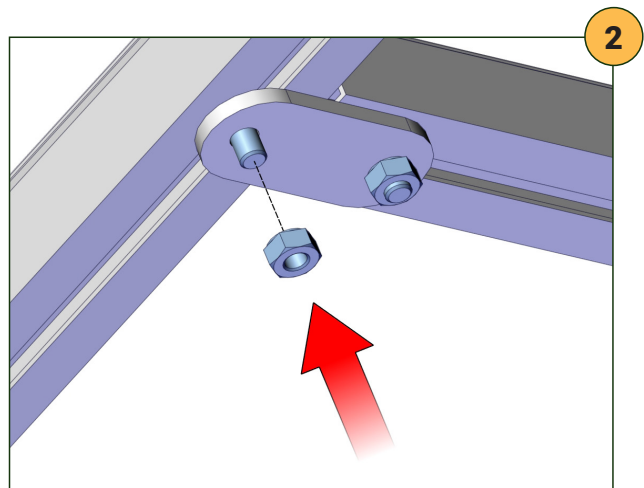
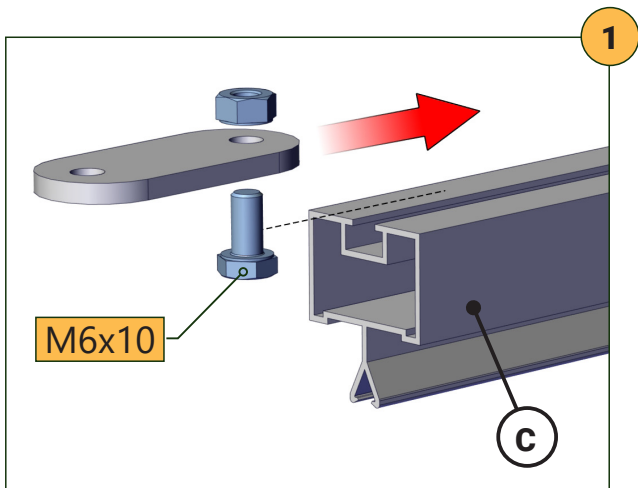
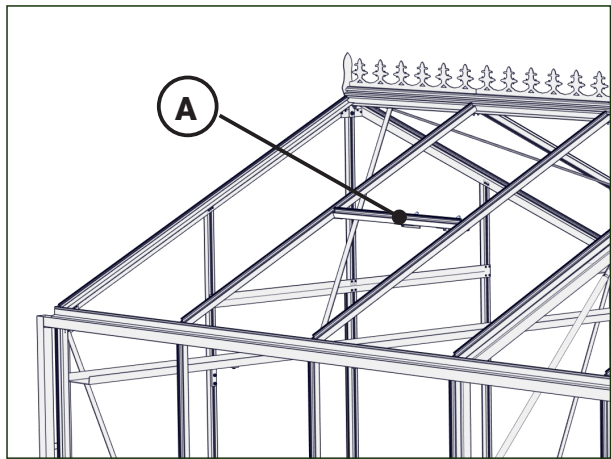
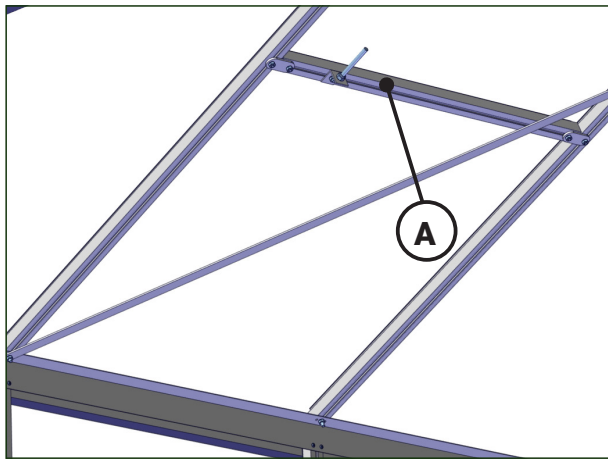








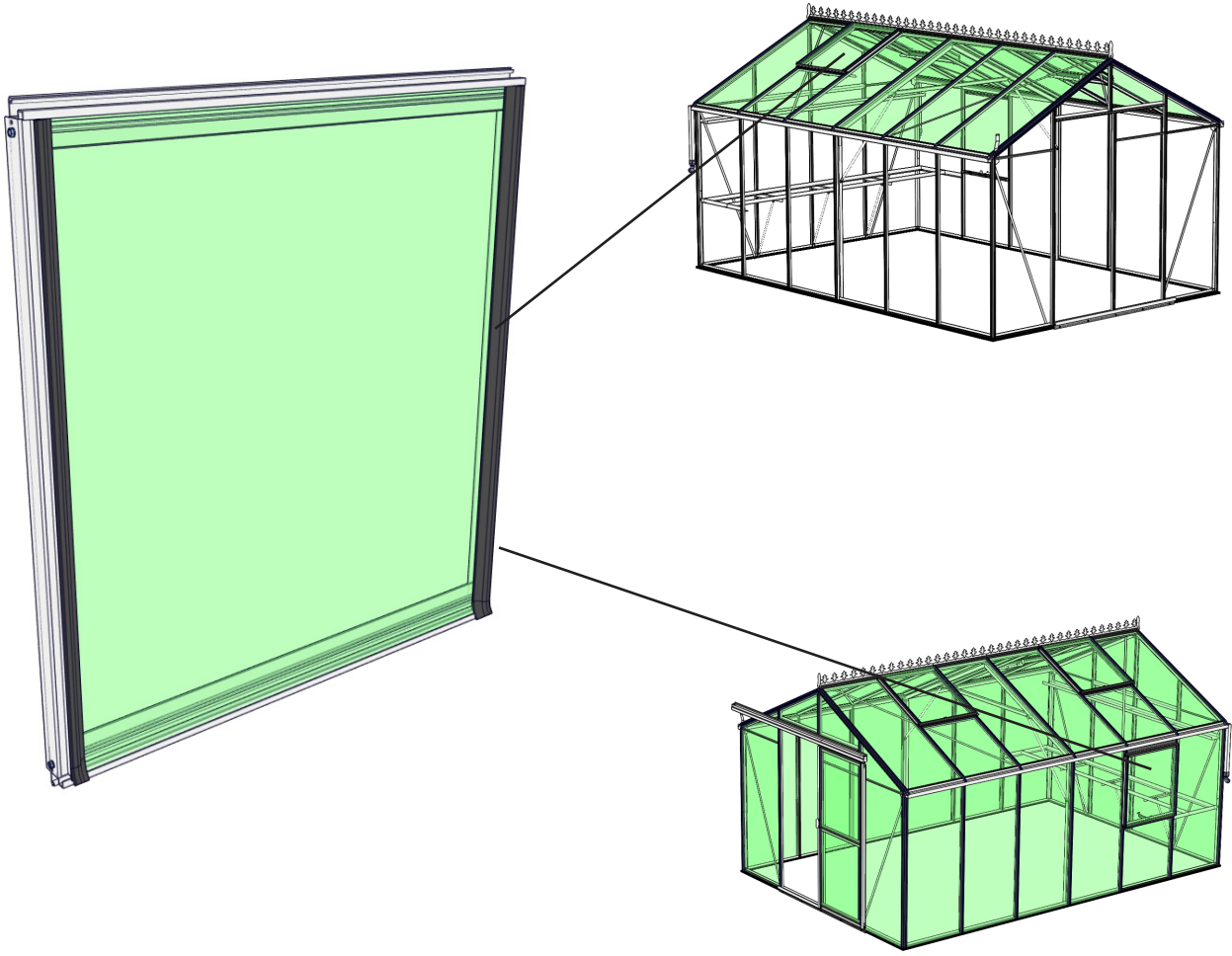


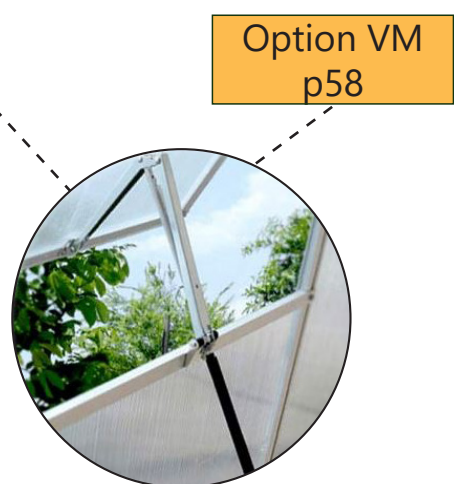
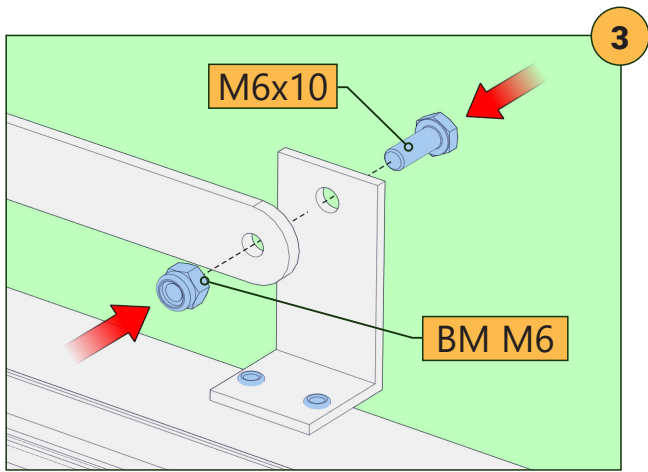
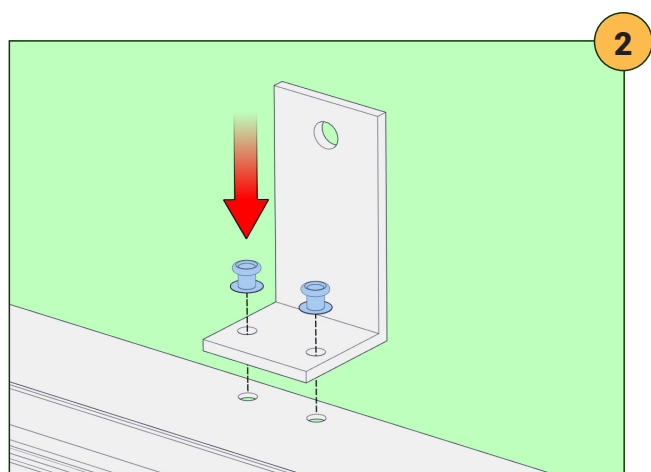
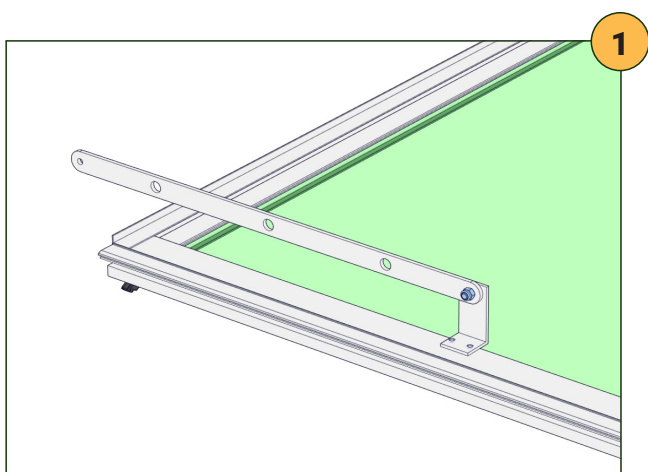
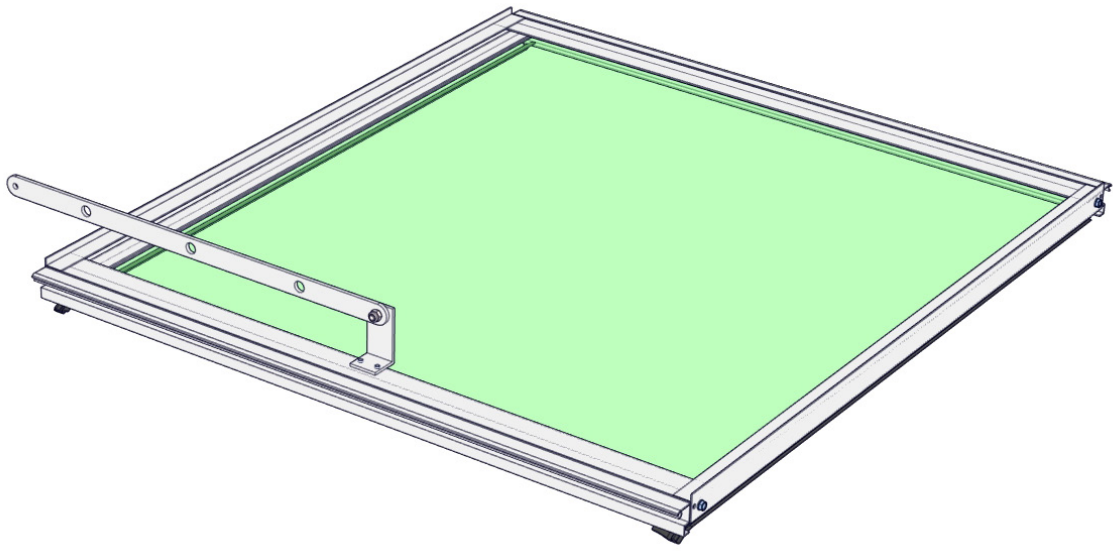


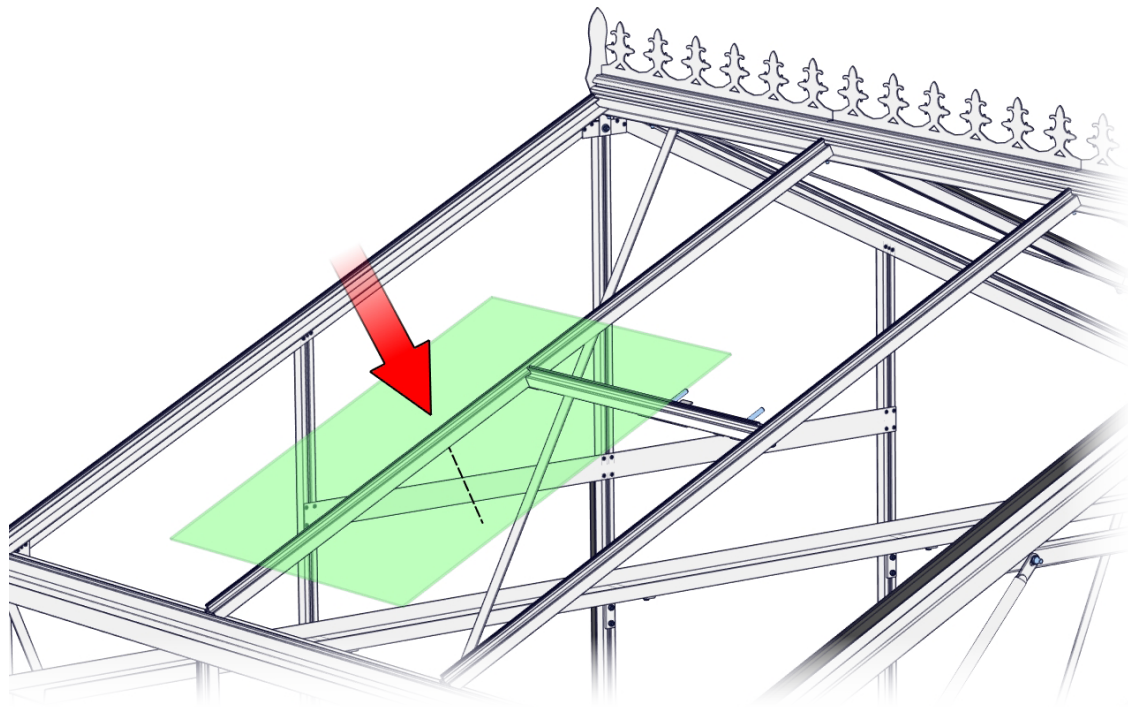
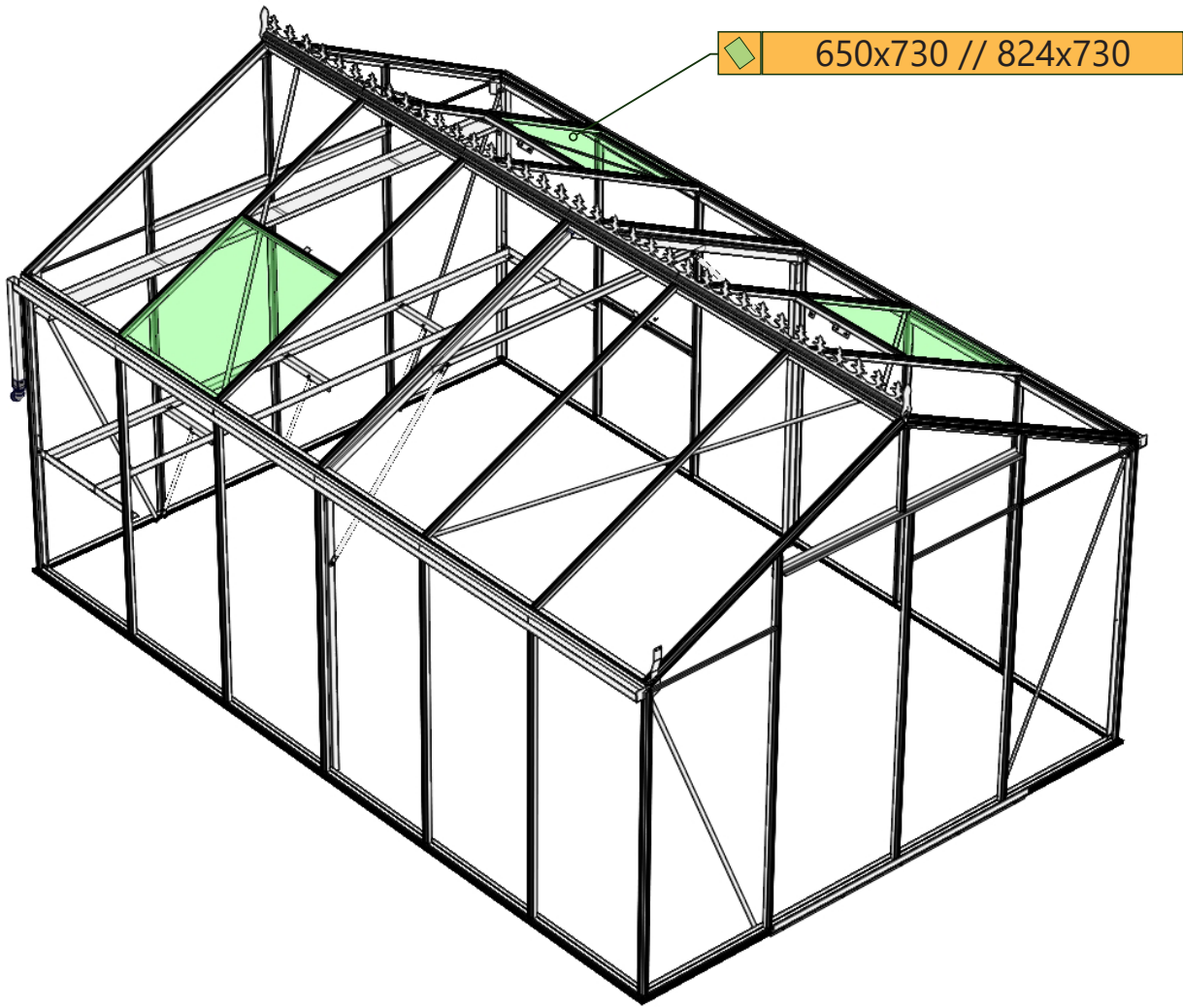
650x730//730x824

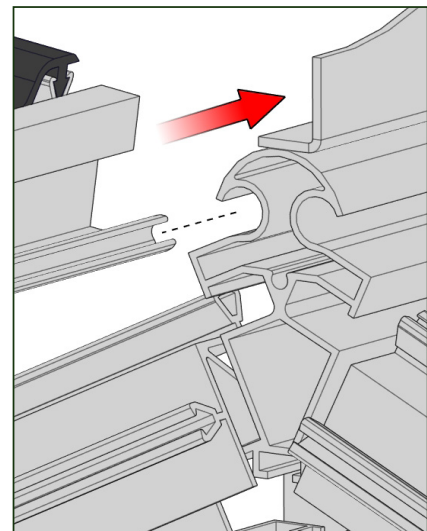
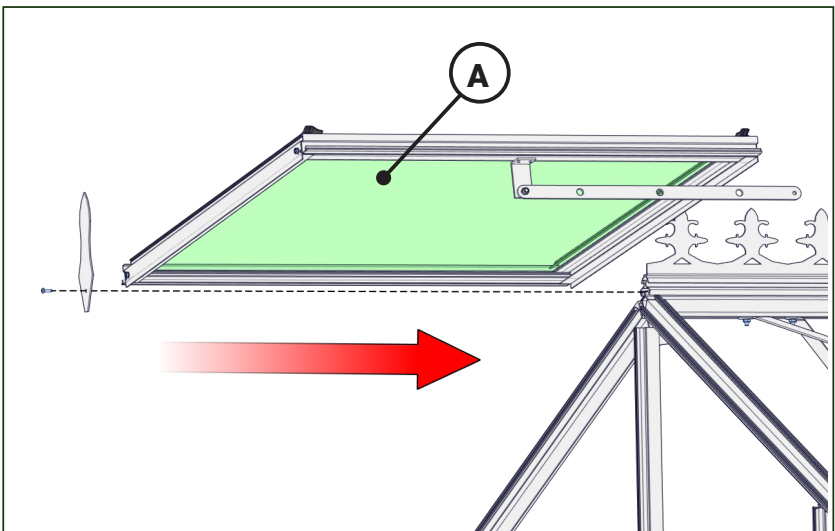
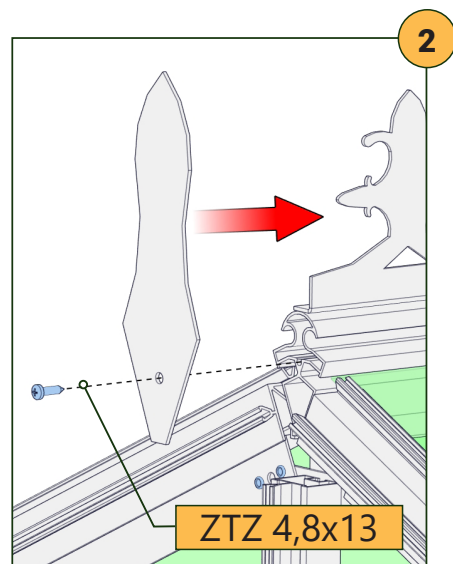
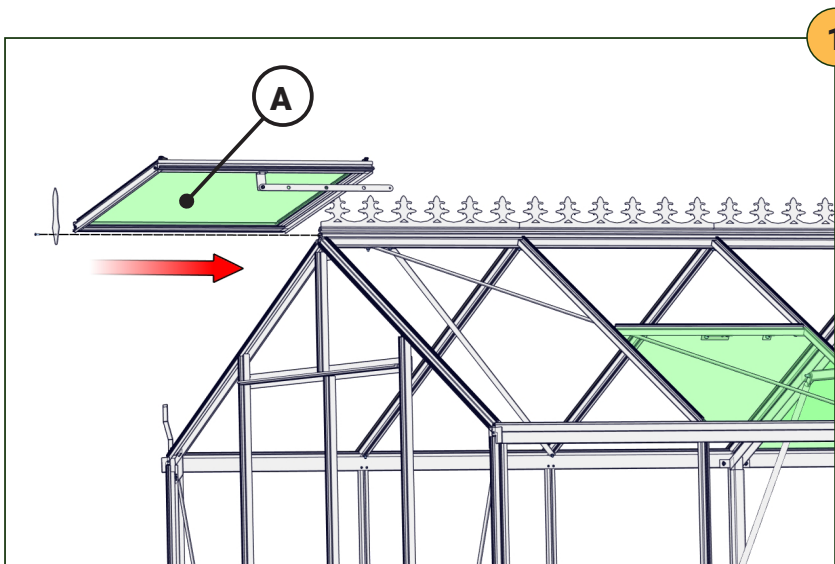
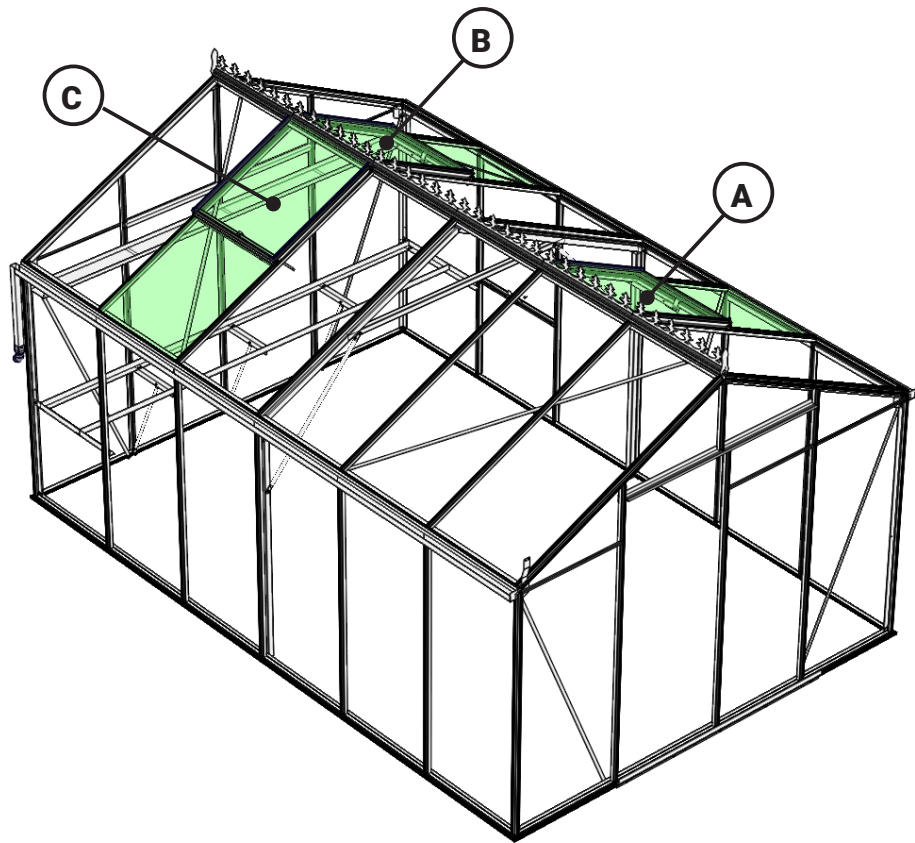
Option VM  
p48

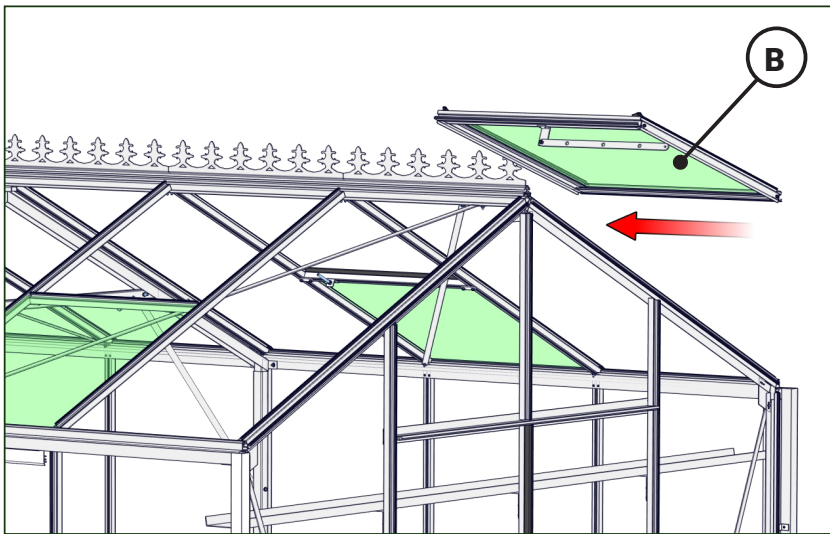




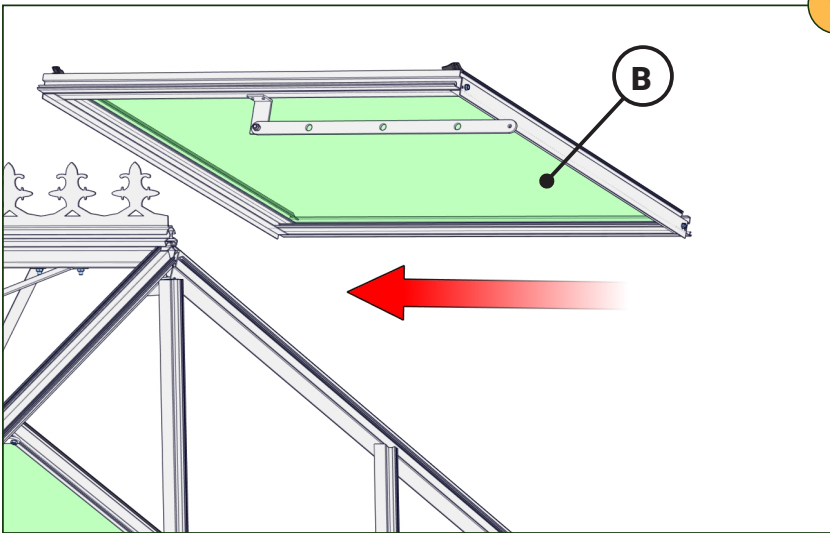




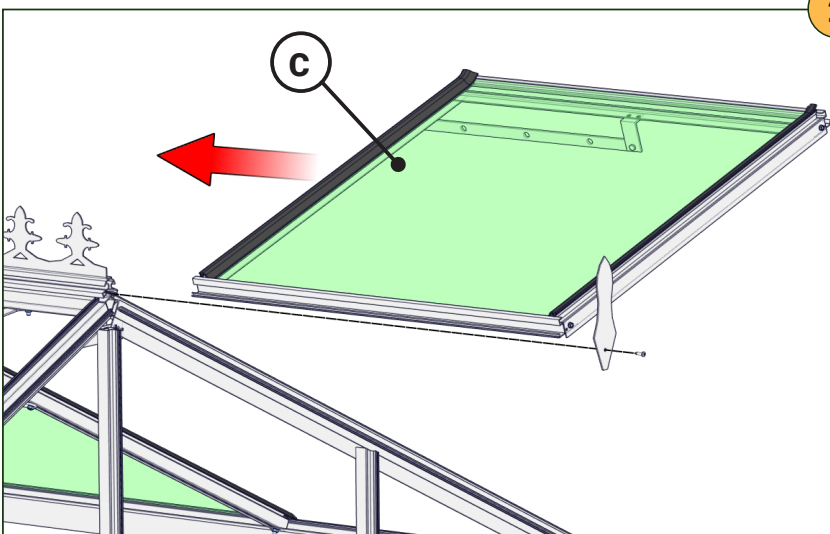




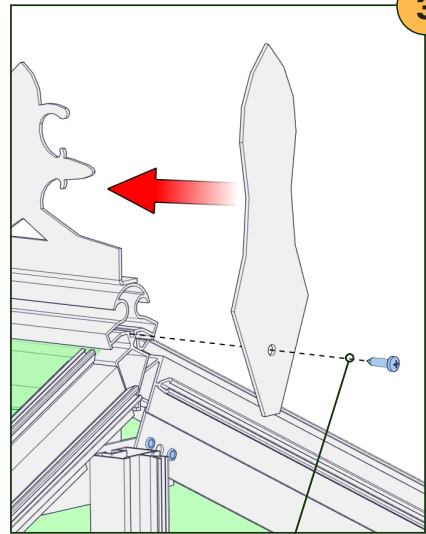
1



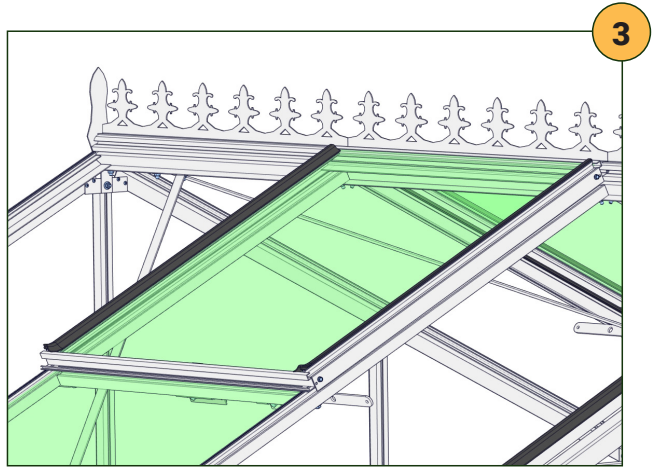
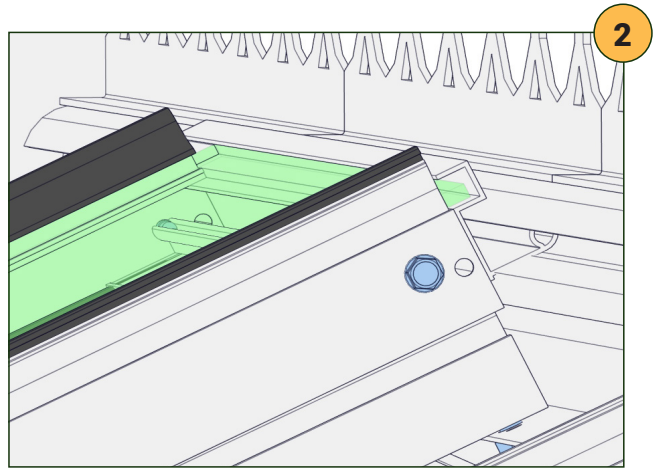
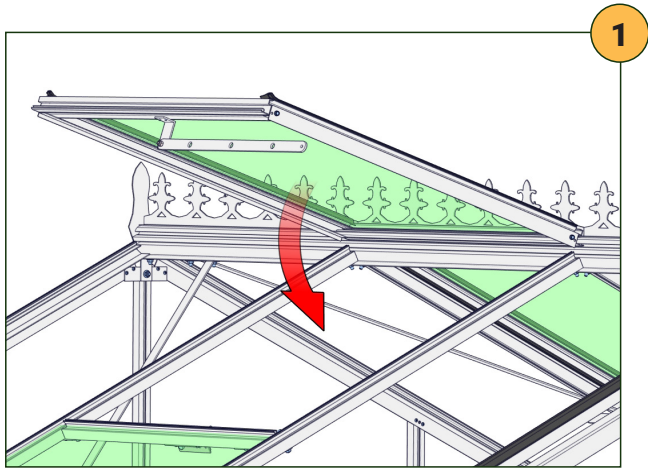
2



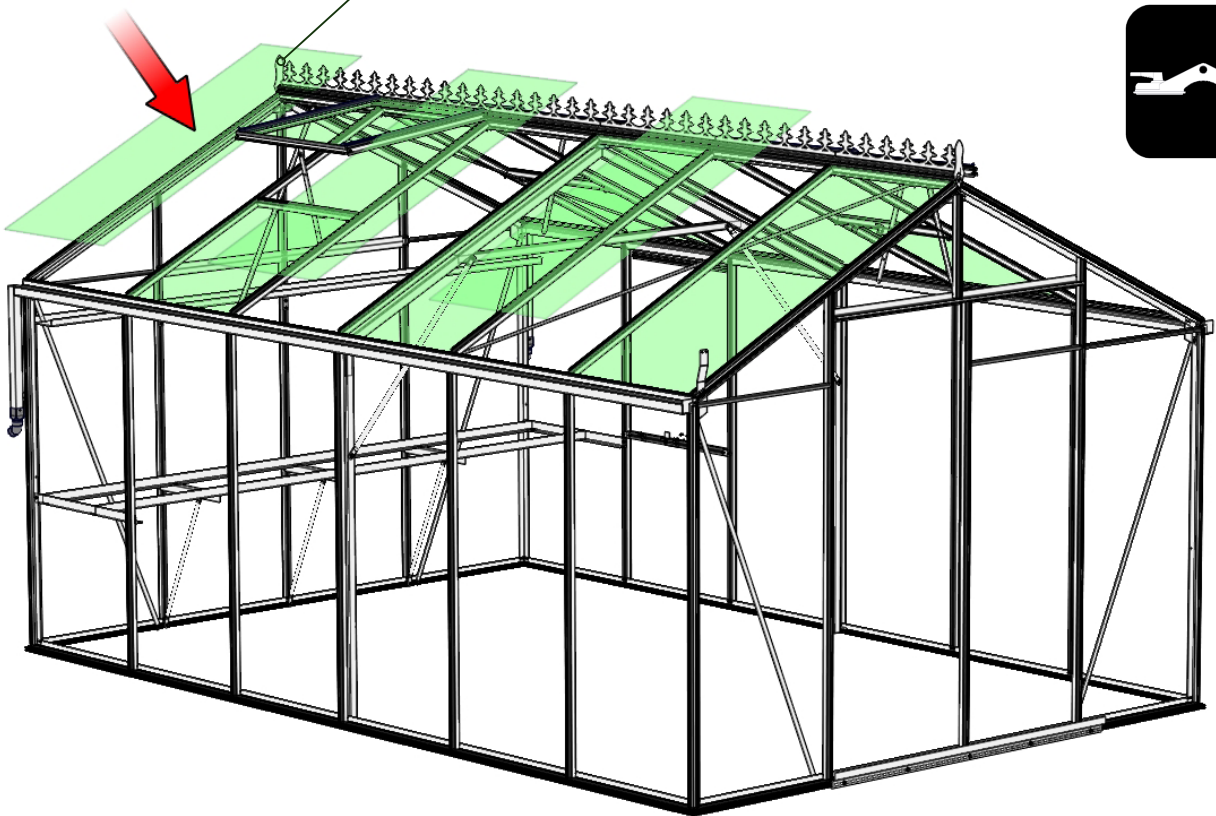
3



ZTZ 4,8x13

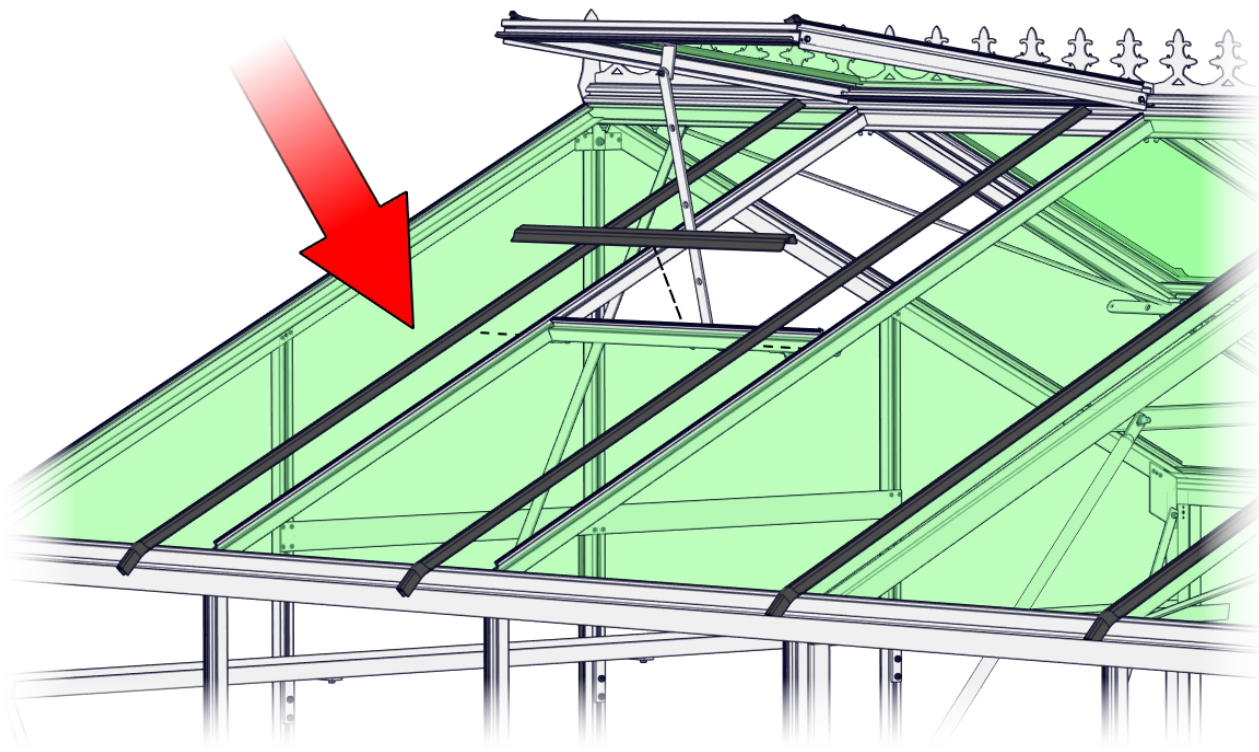
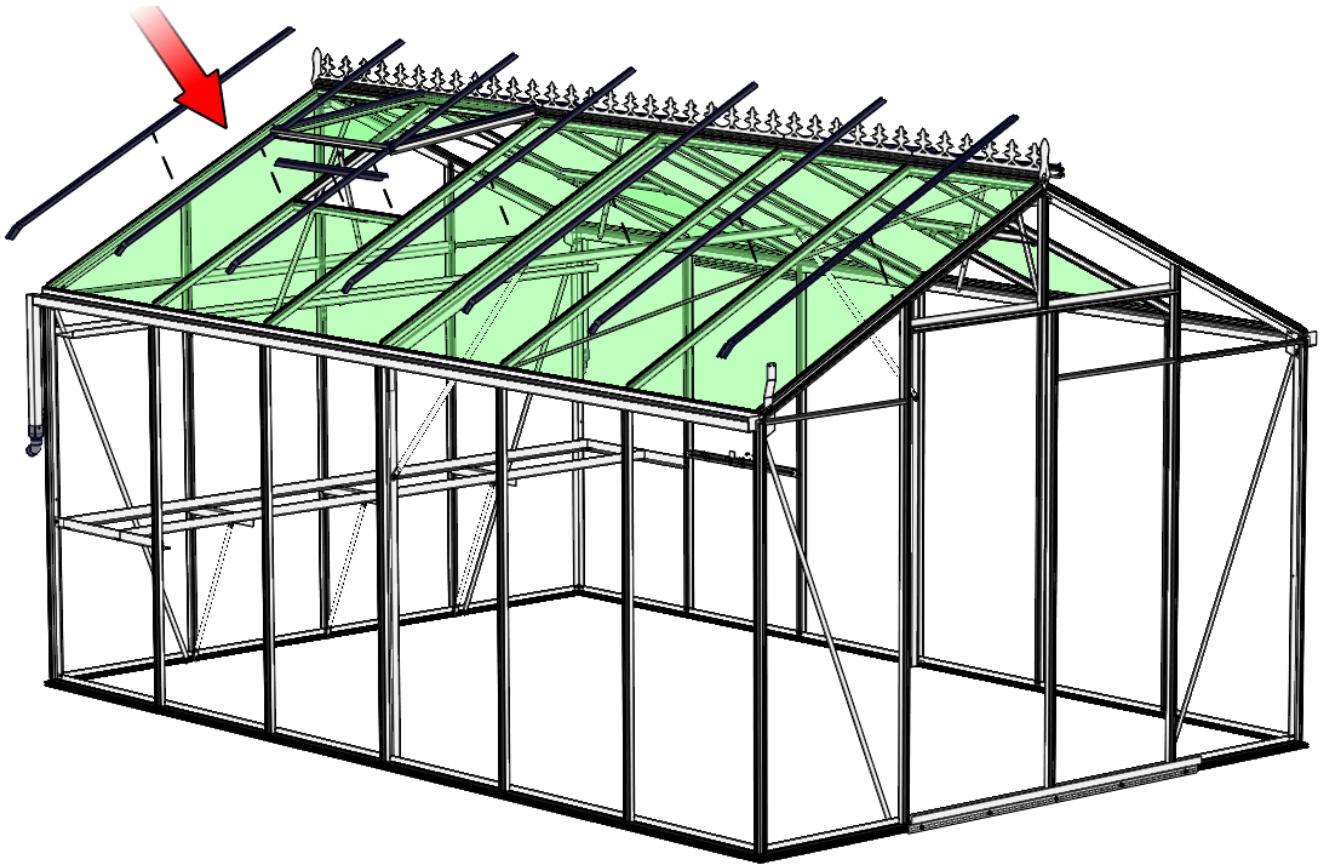


1474x730 // 1650x730

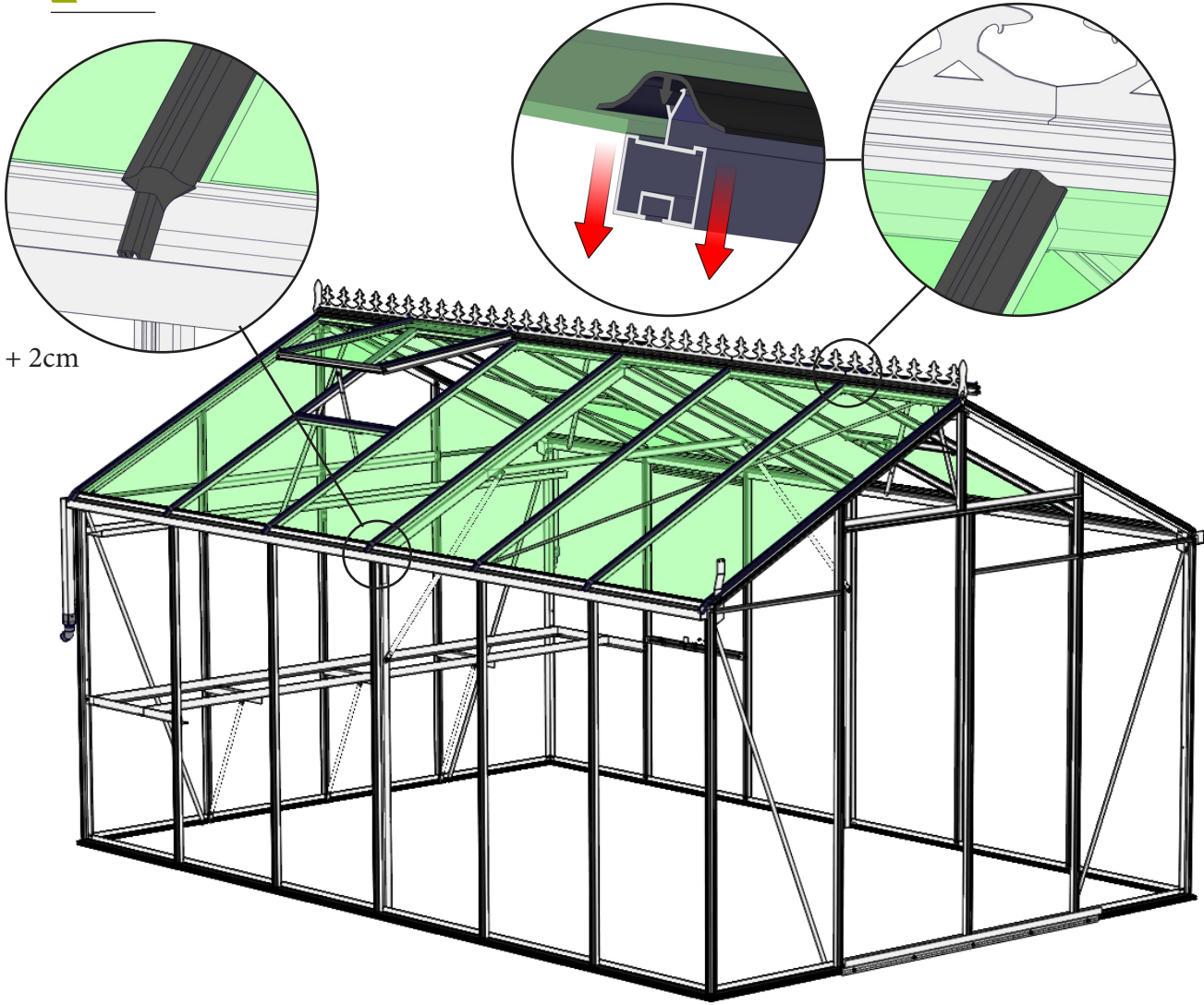


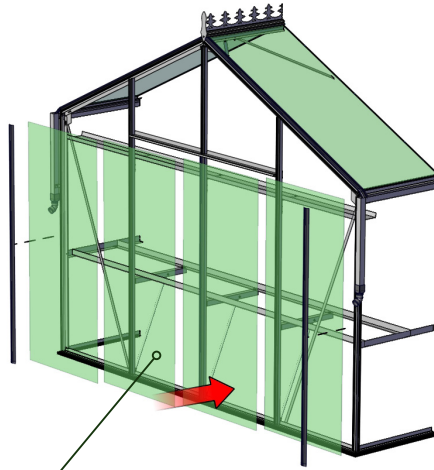


DK (2x)

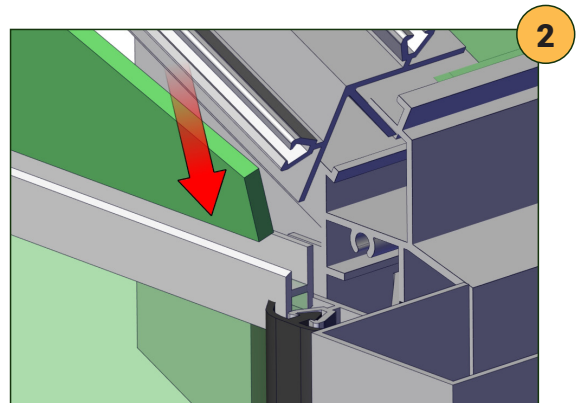
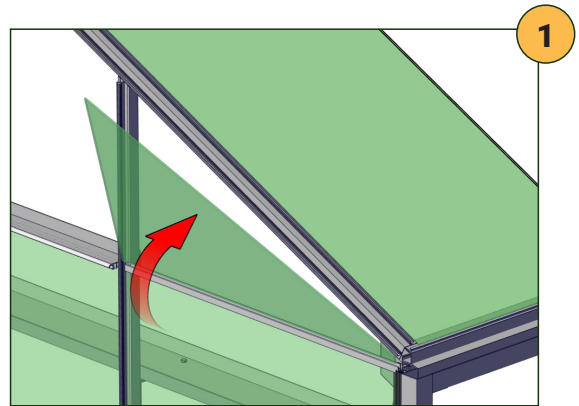
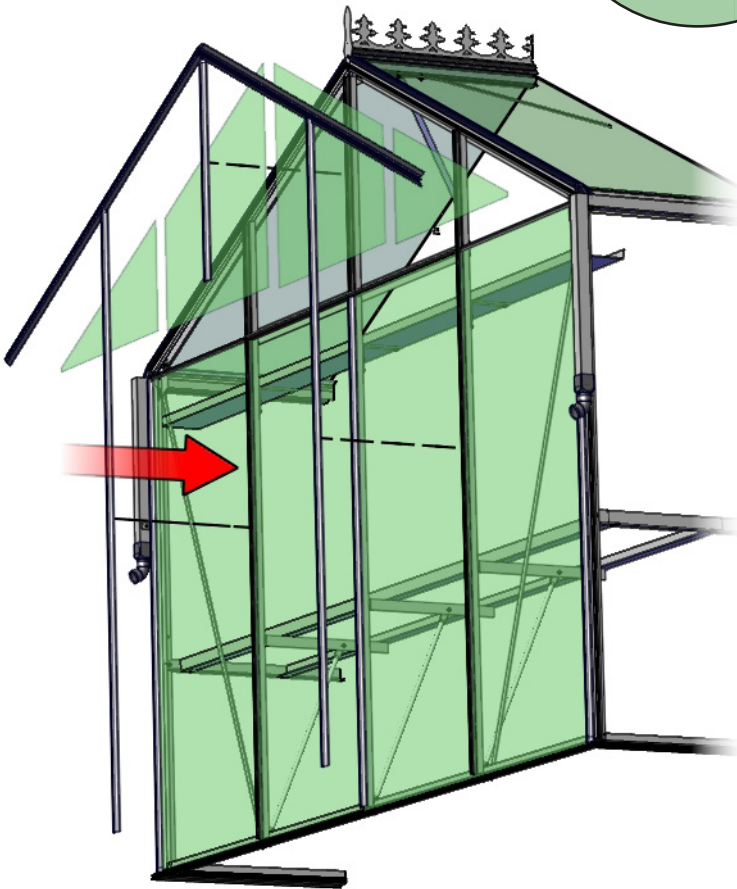
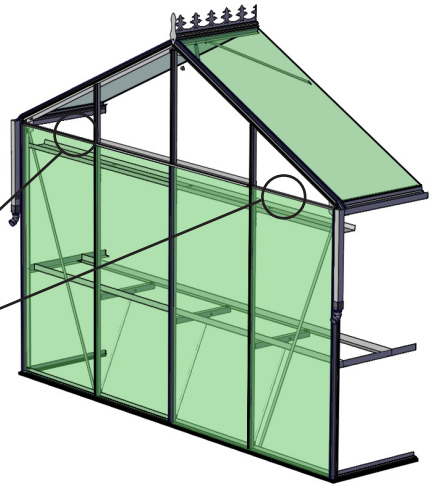
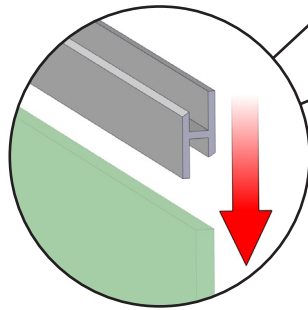


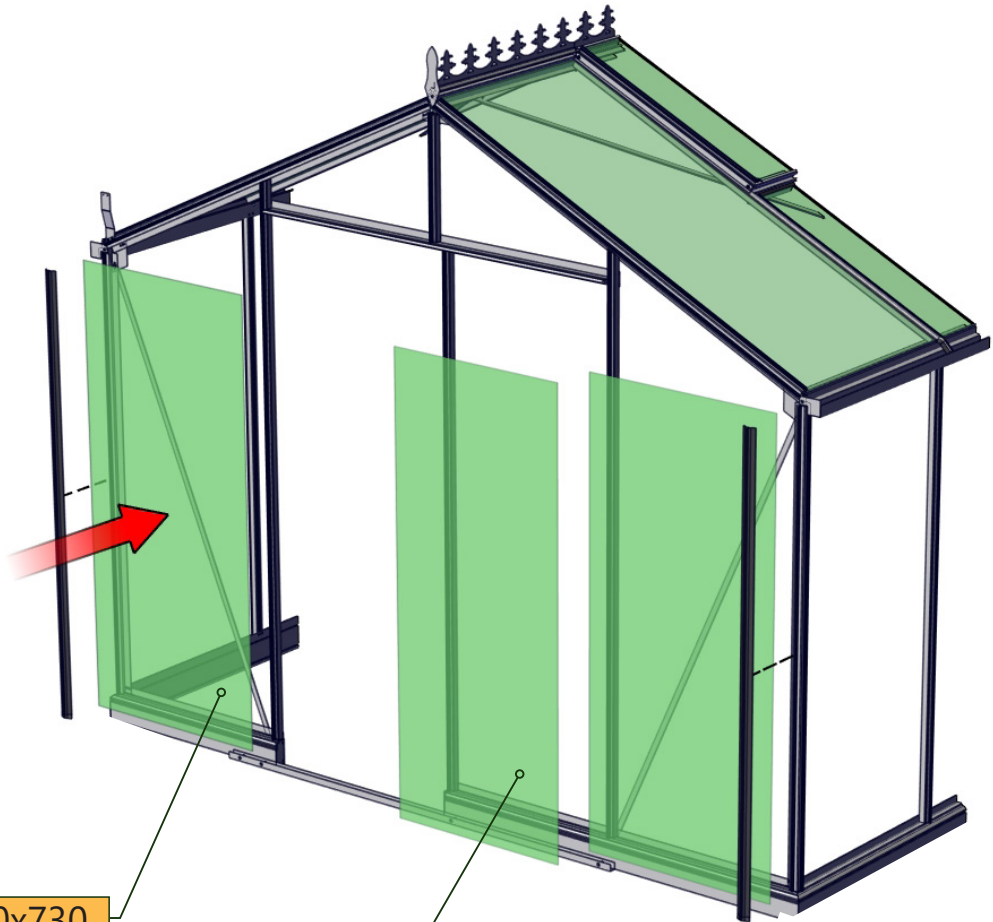
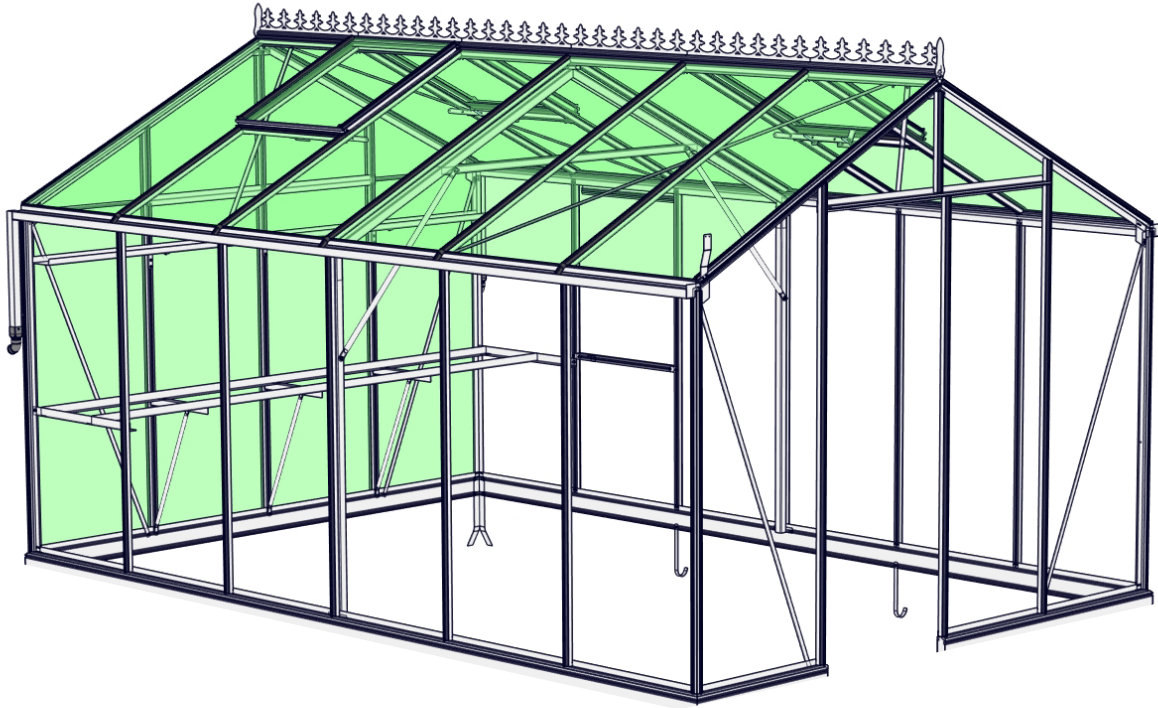
DK





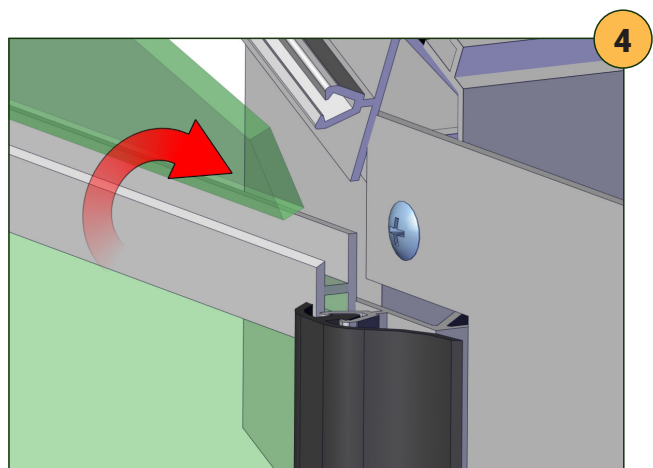
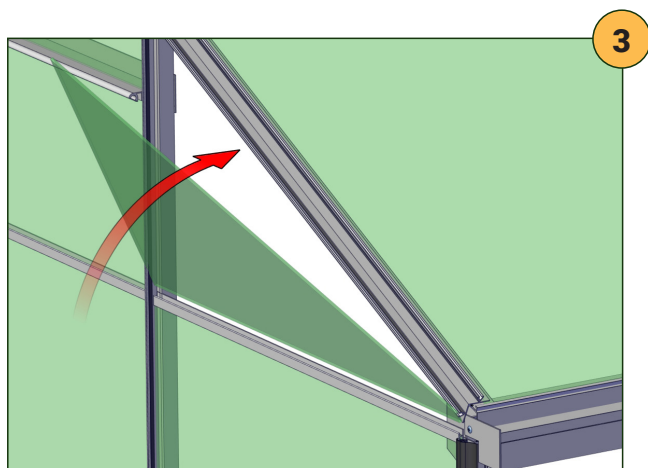
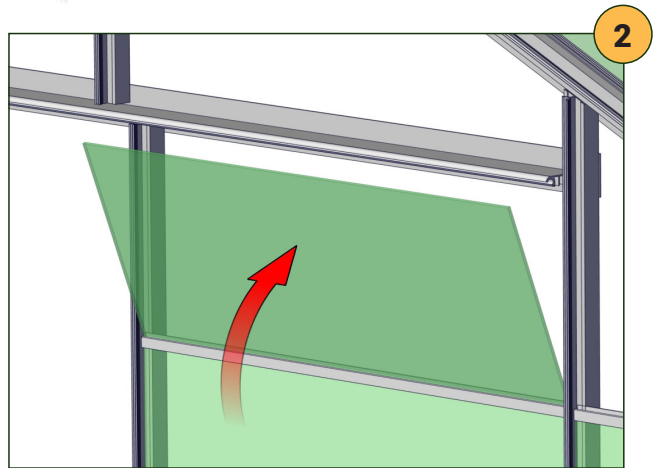
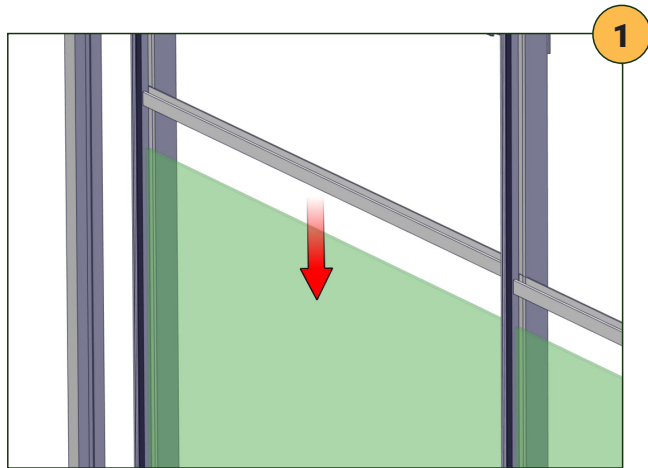
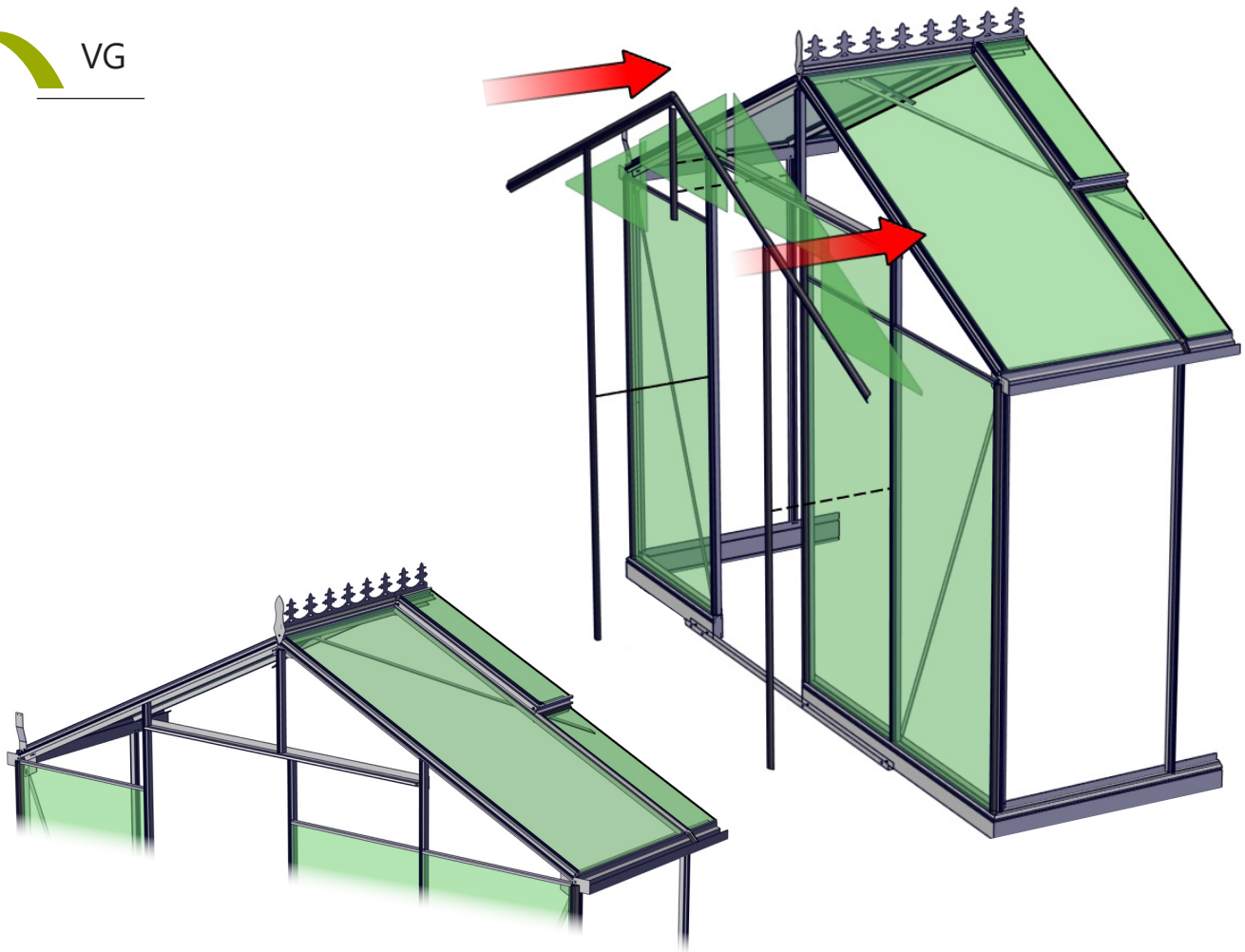
1474x650 // 1650x730

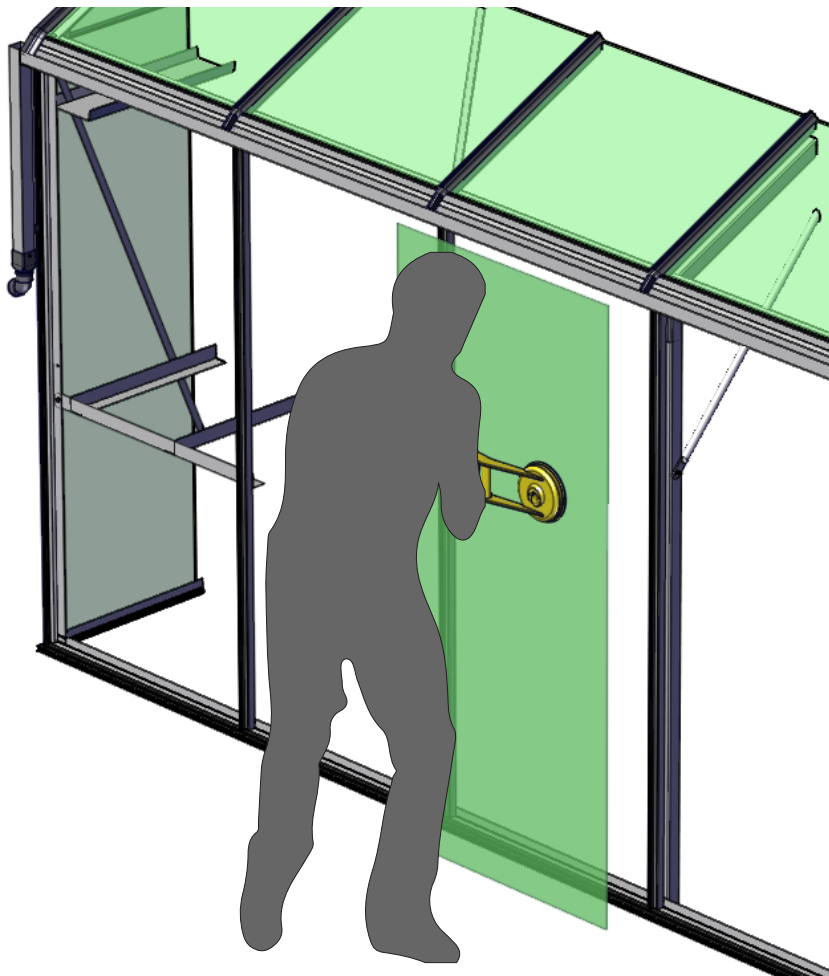
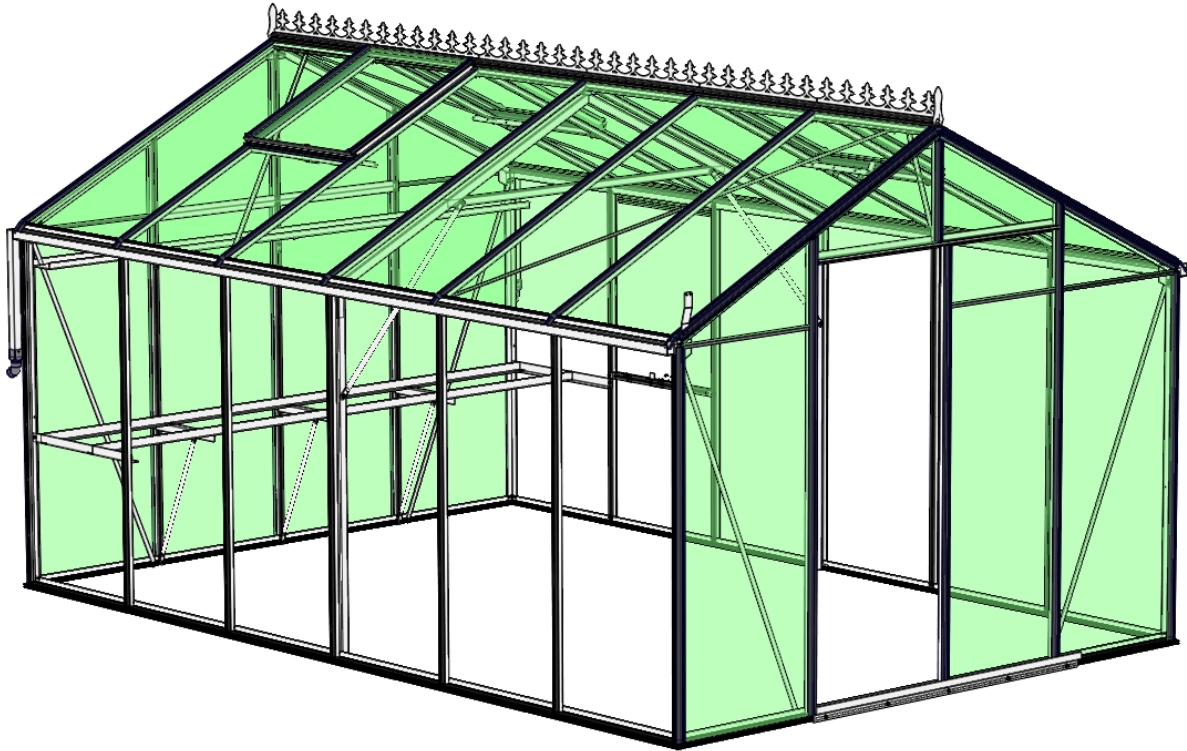


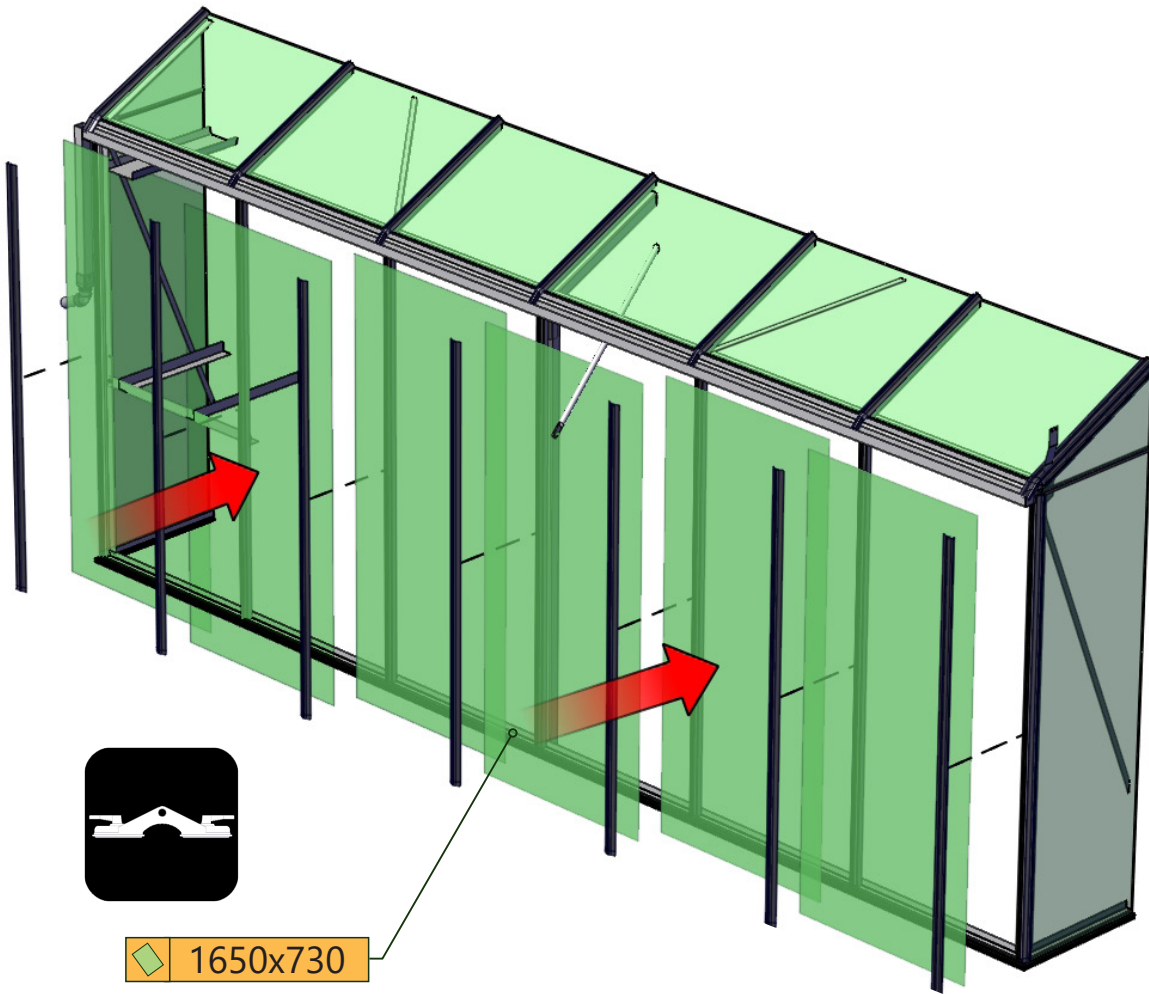


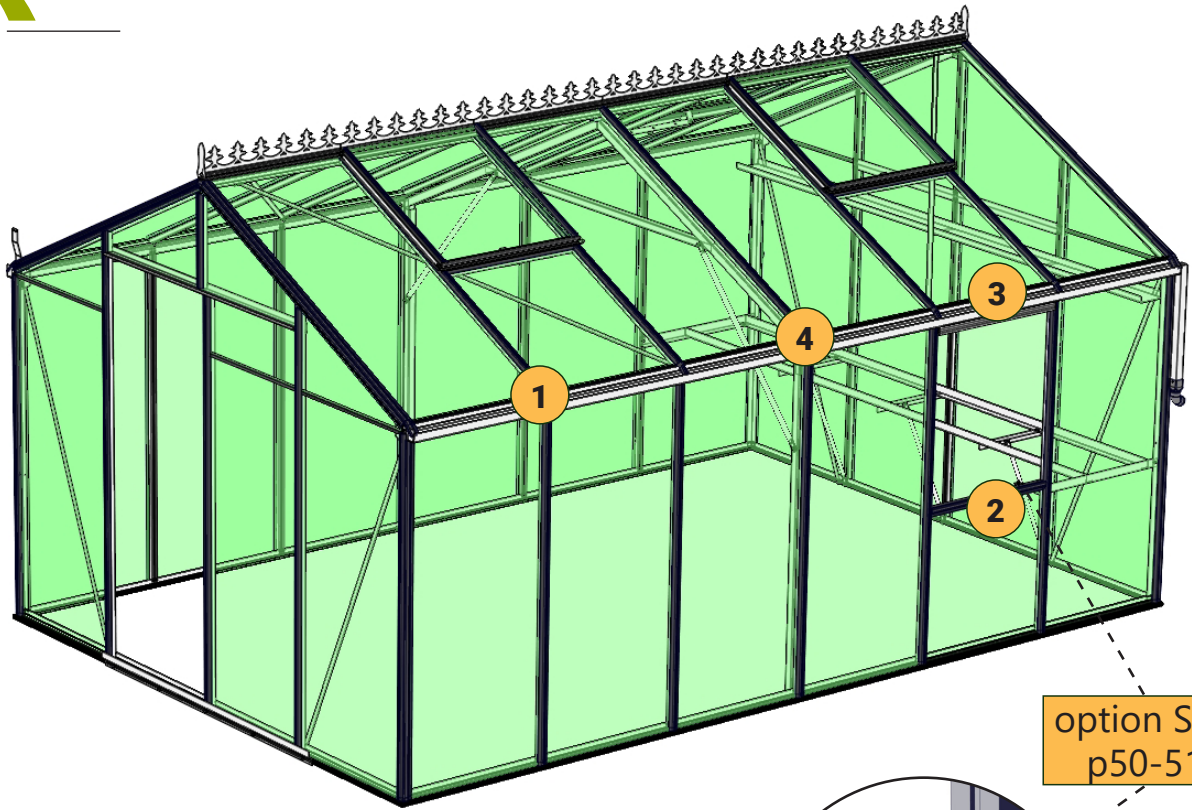
1474x650 // 1650x730

1474x590 // 1650x630

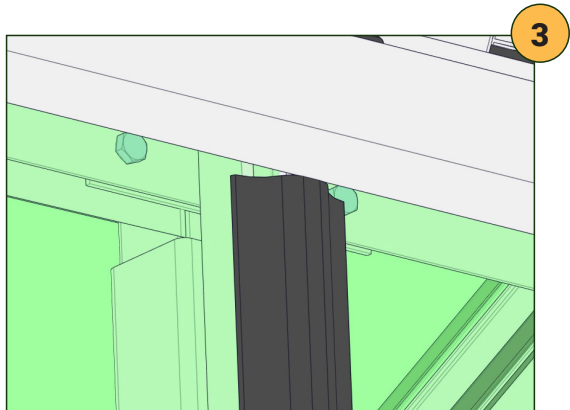
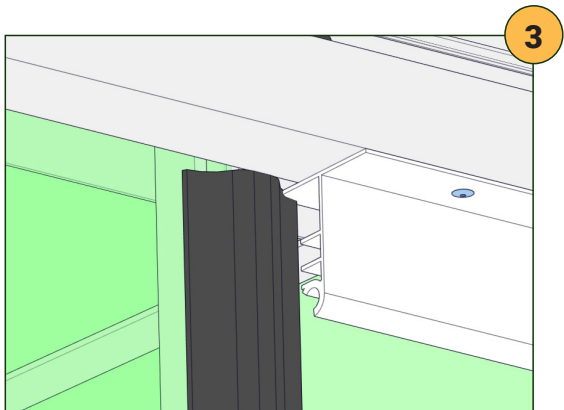
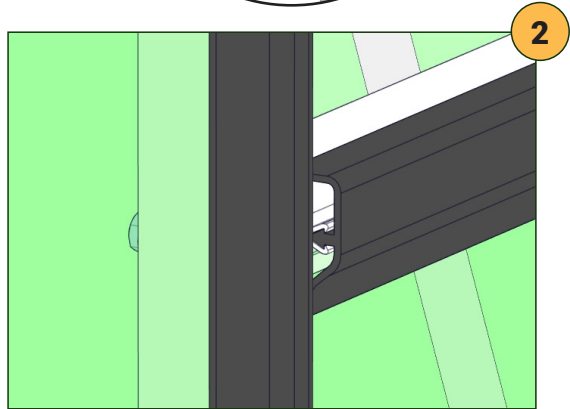
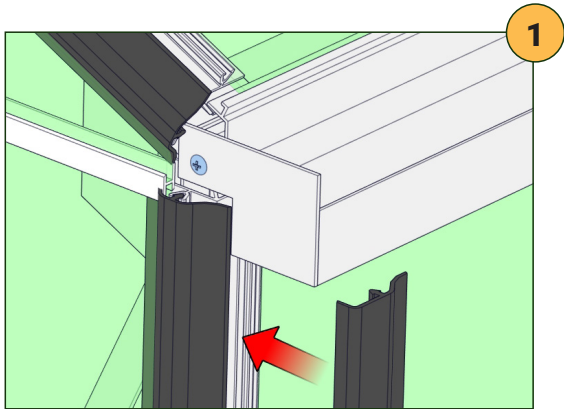
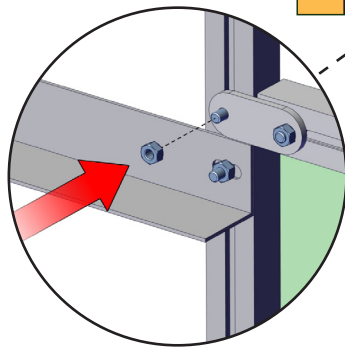




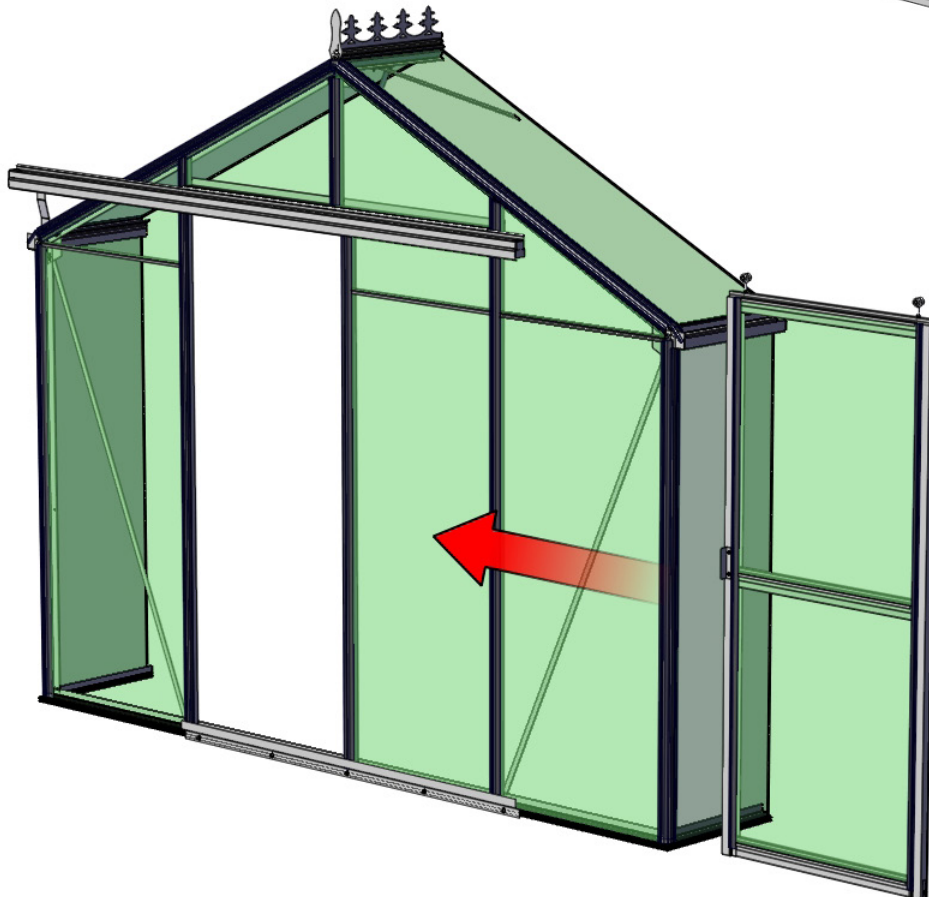
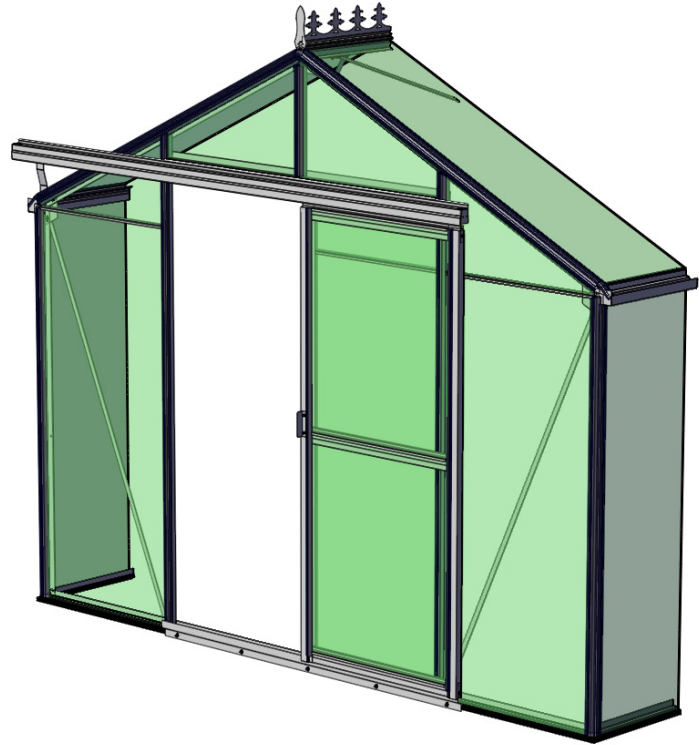
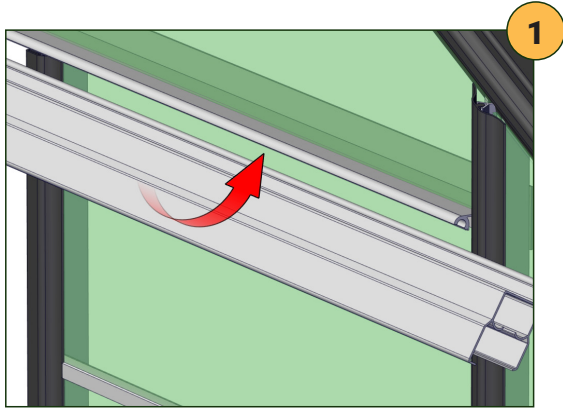


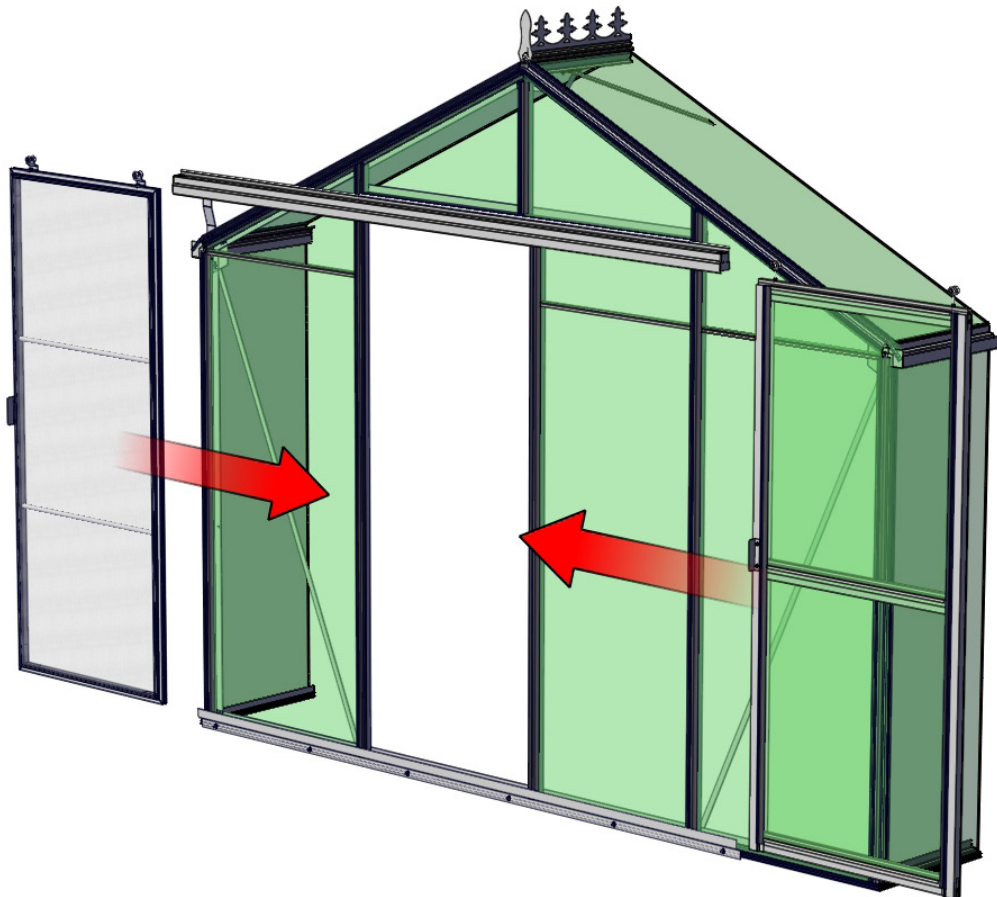
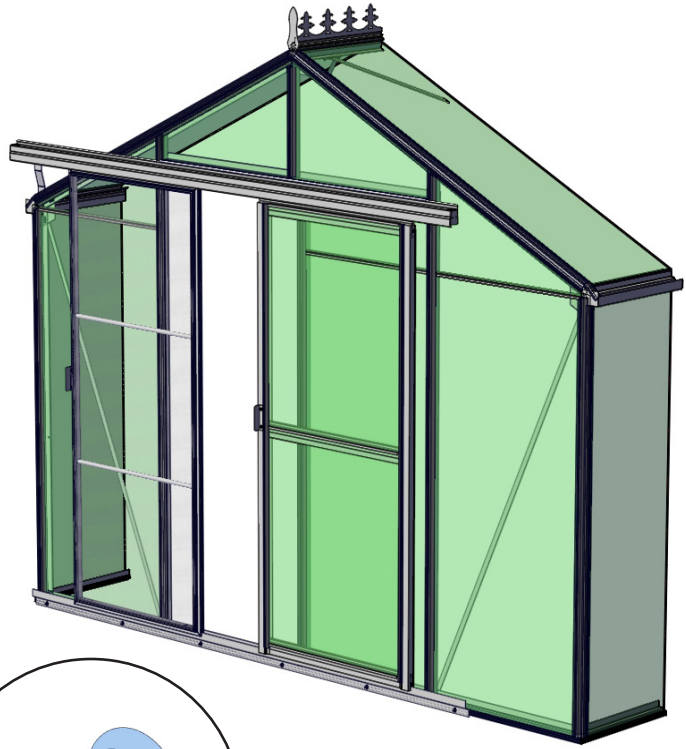
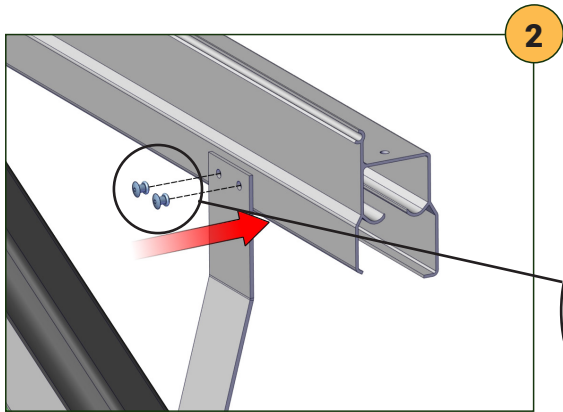
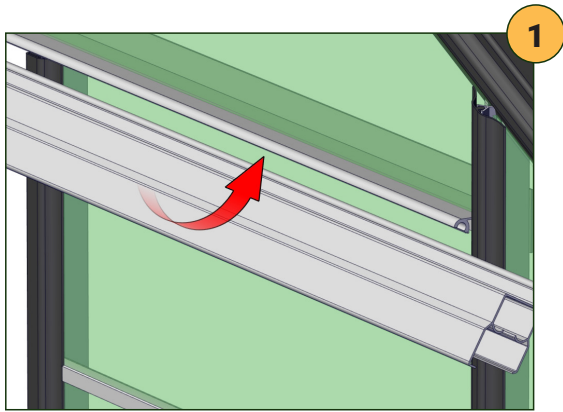


option SW:  
p50-51

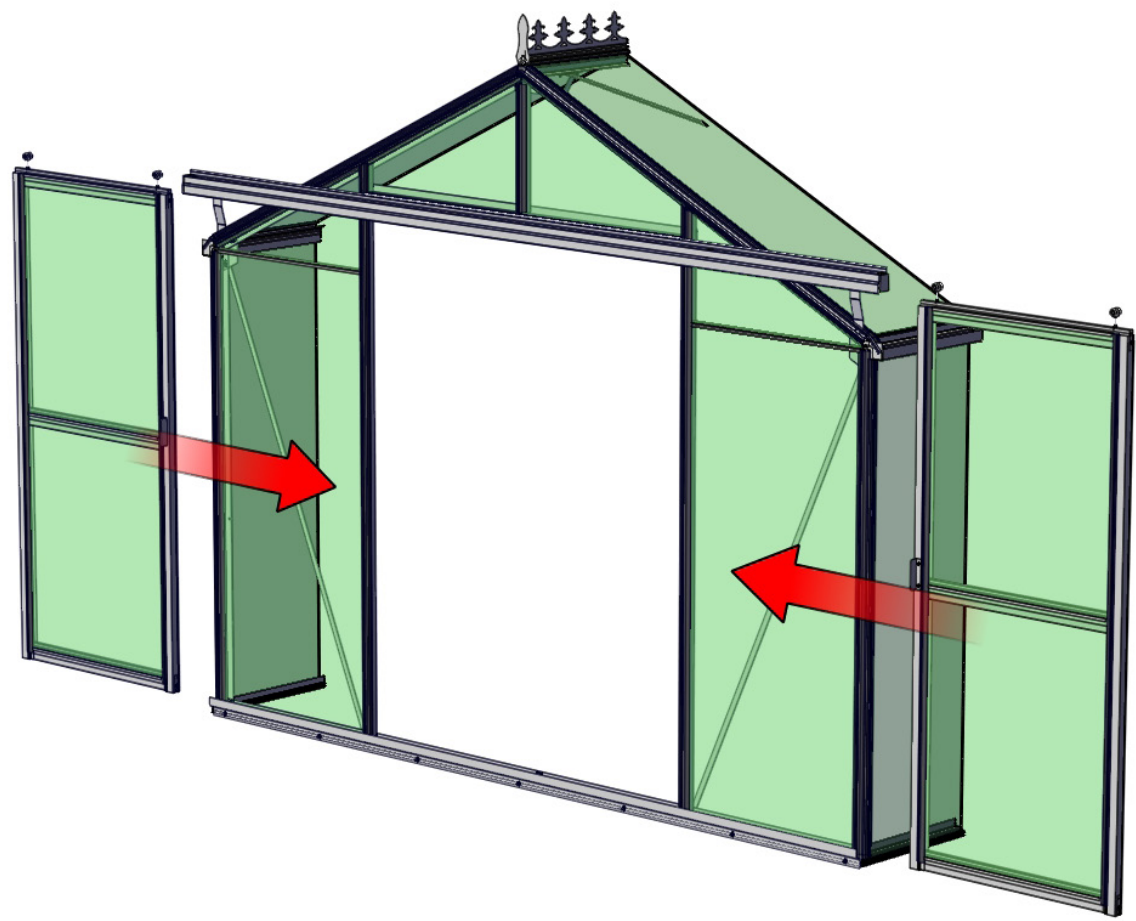
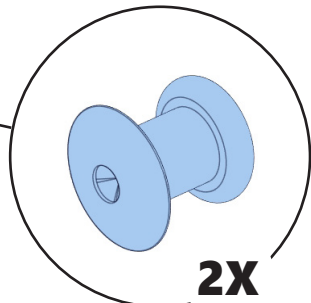
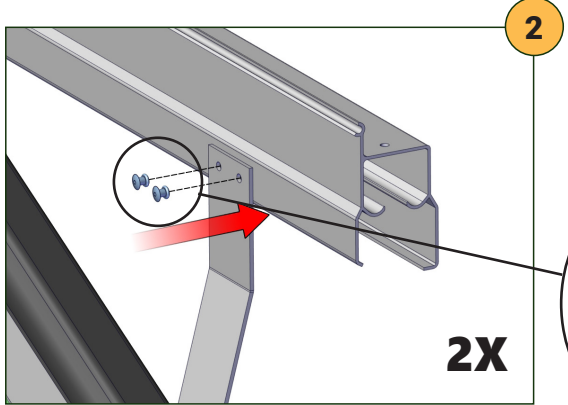
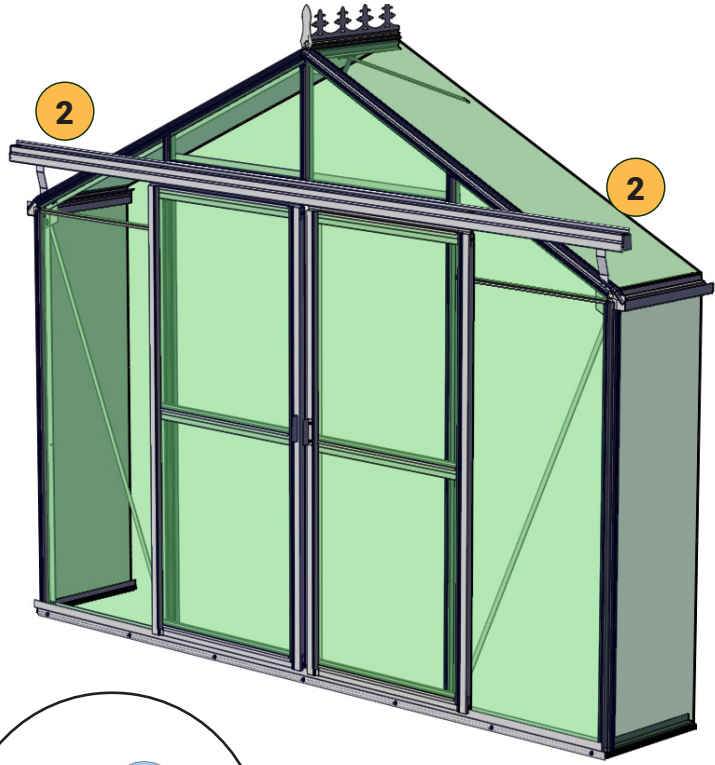
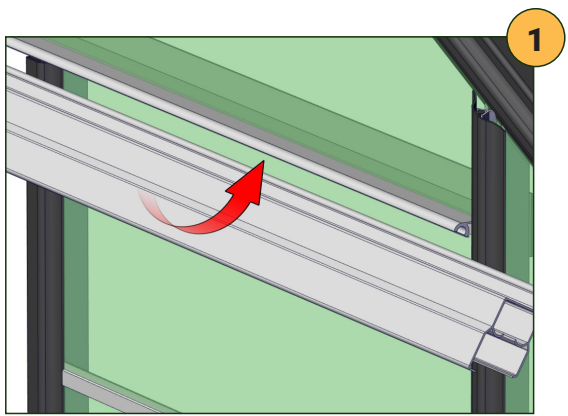


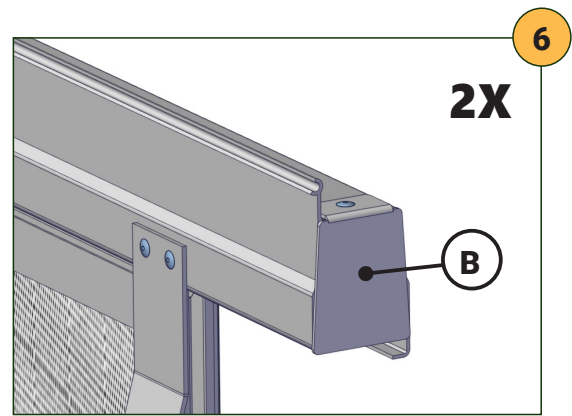
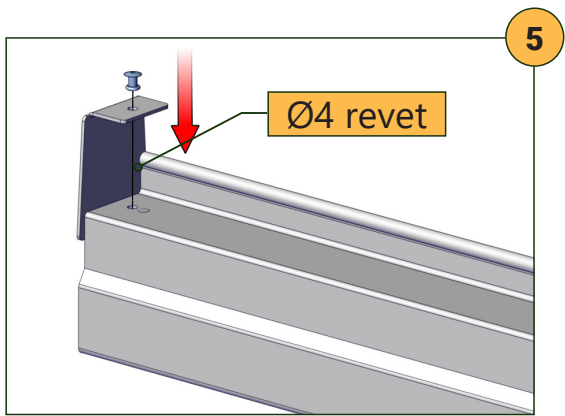
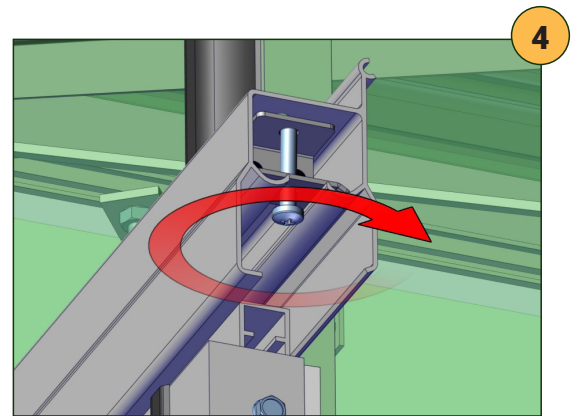
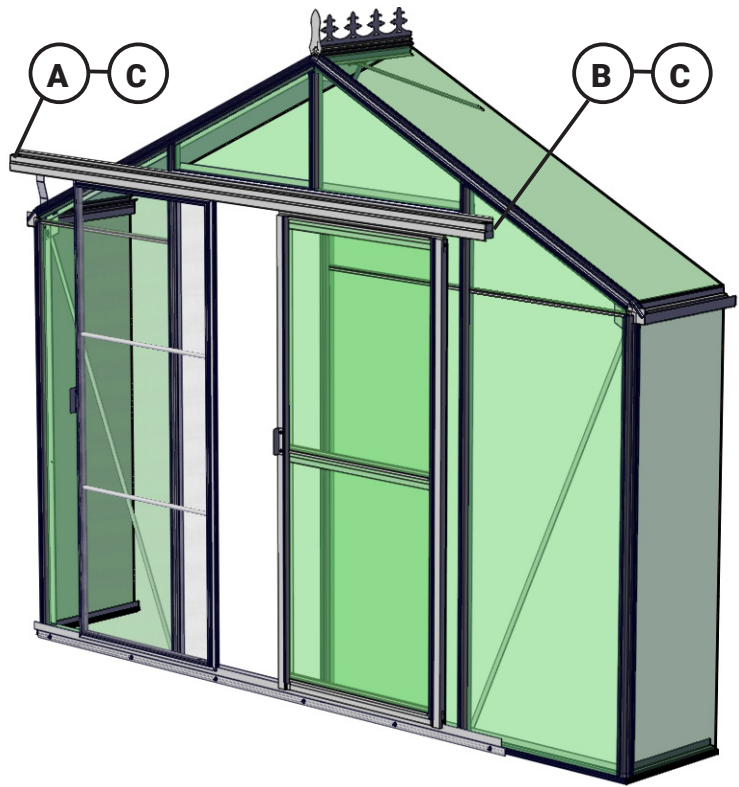
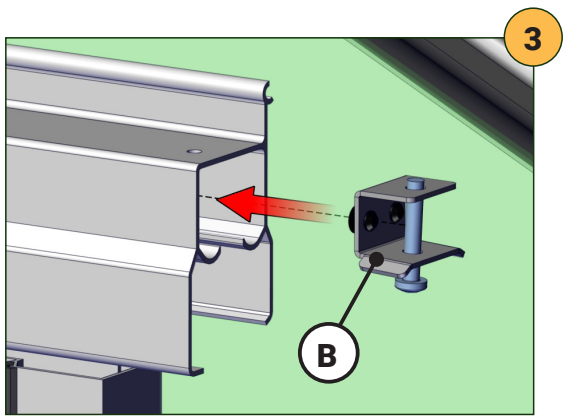
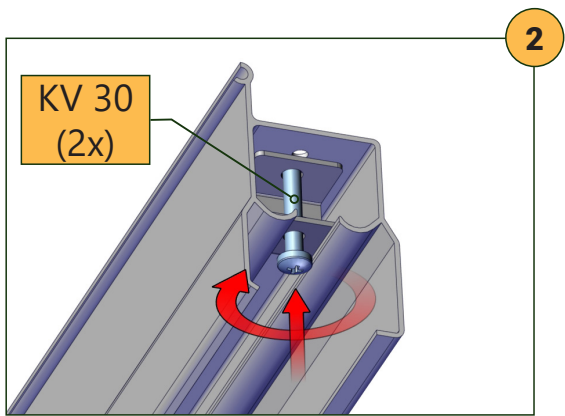
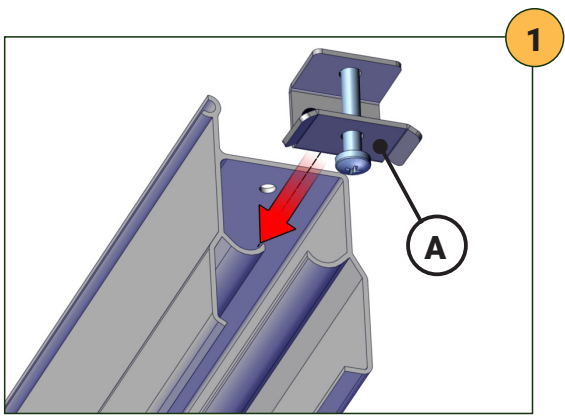


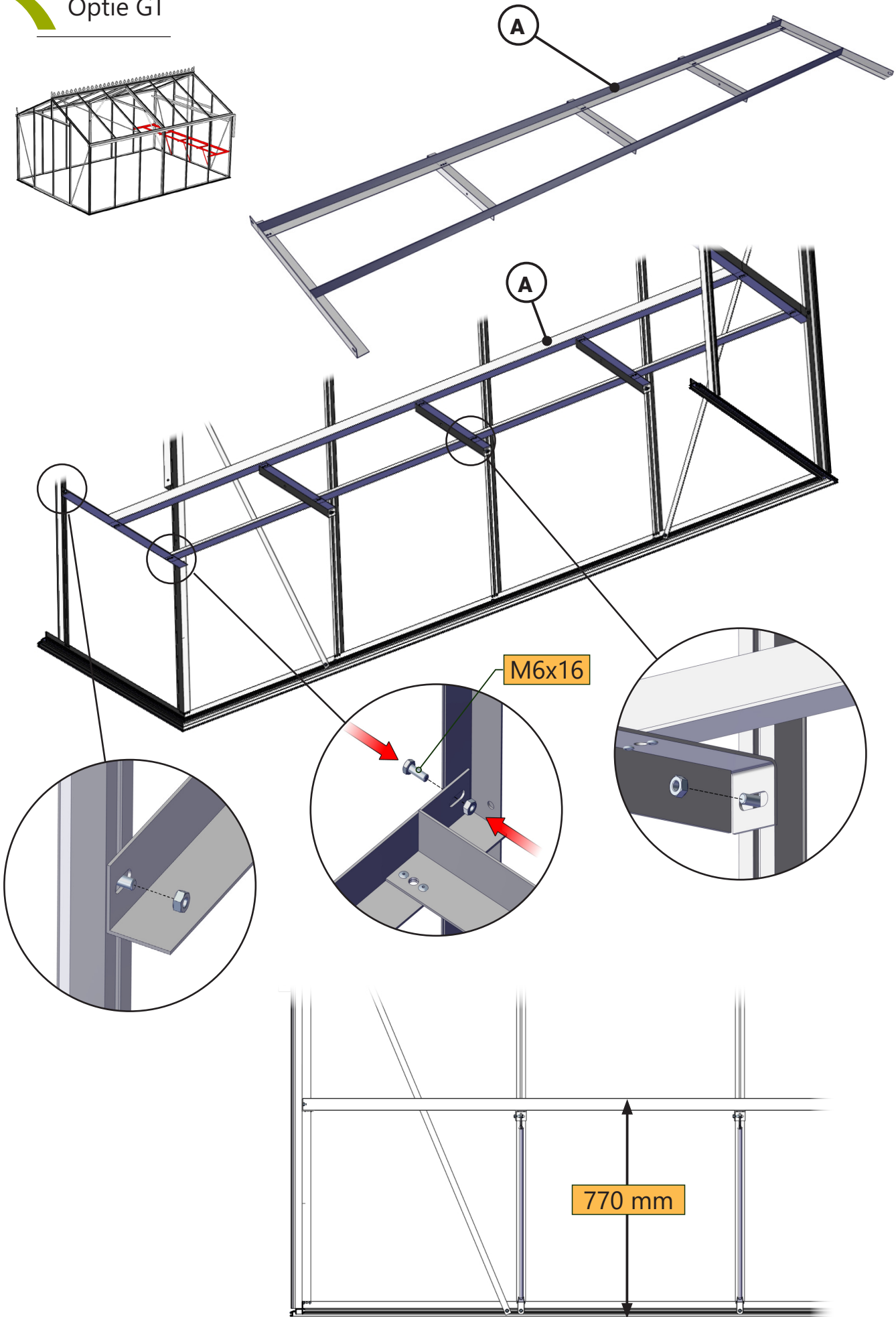




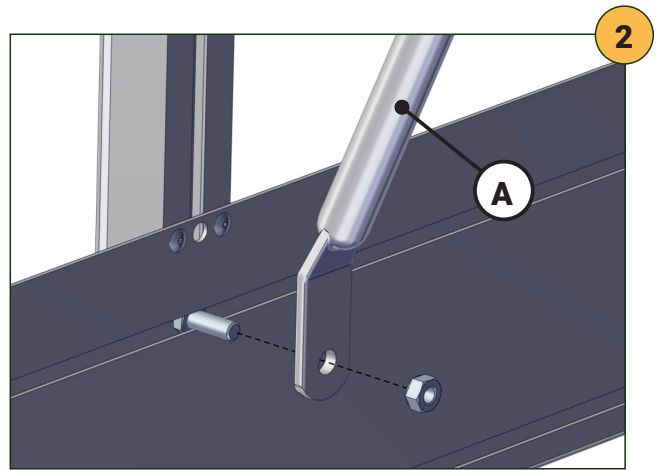
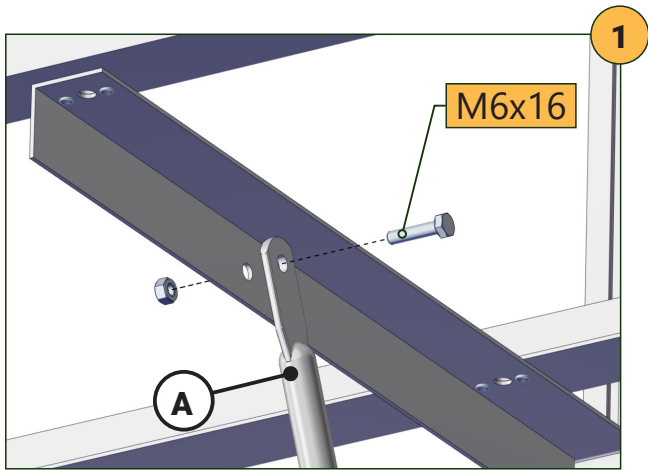
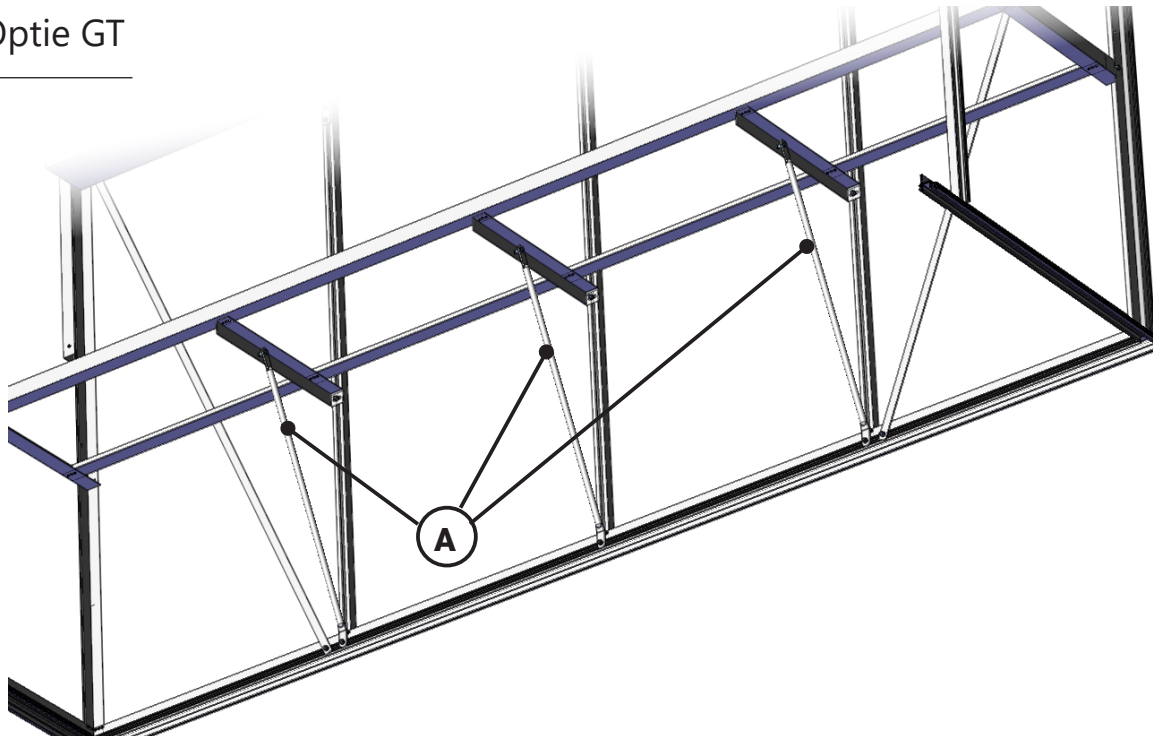
VG: DD



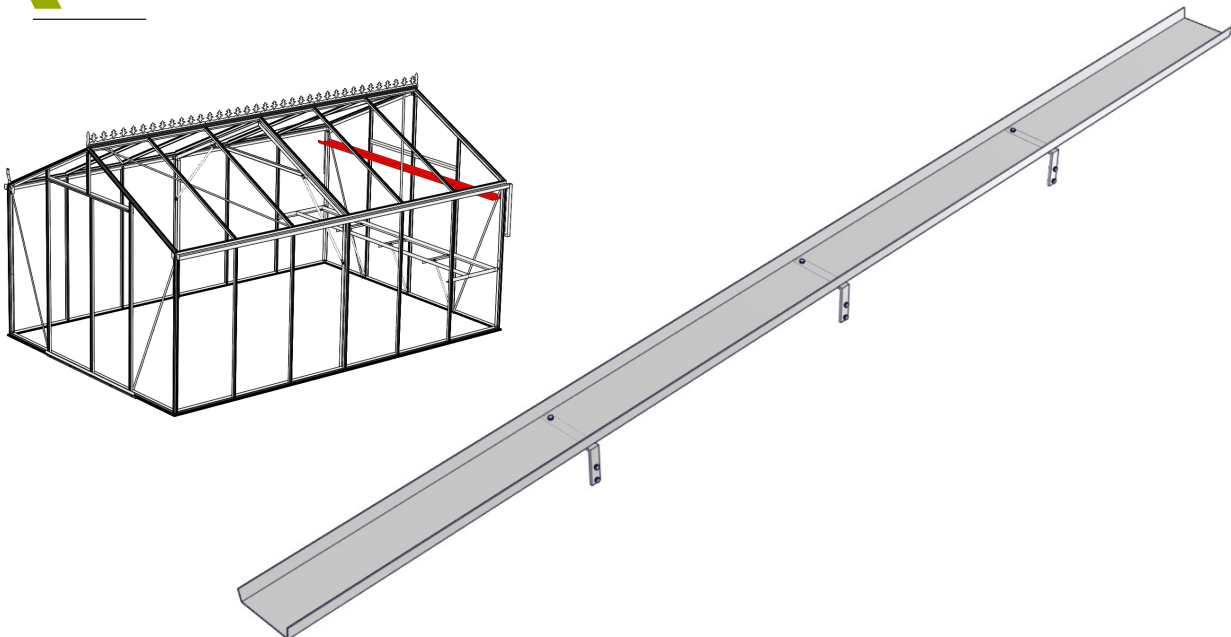


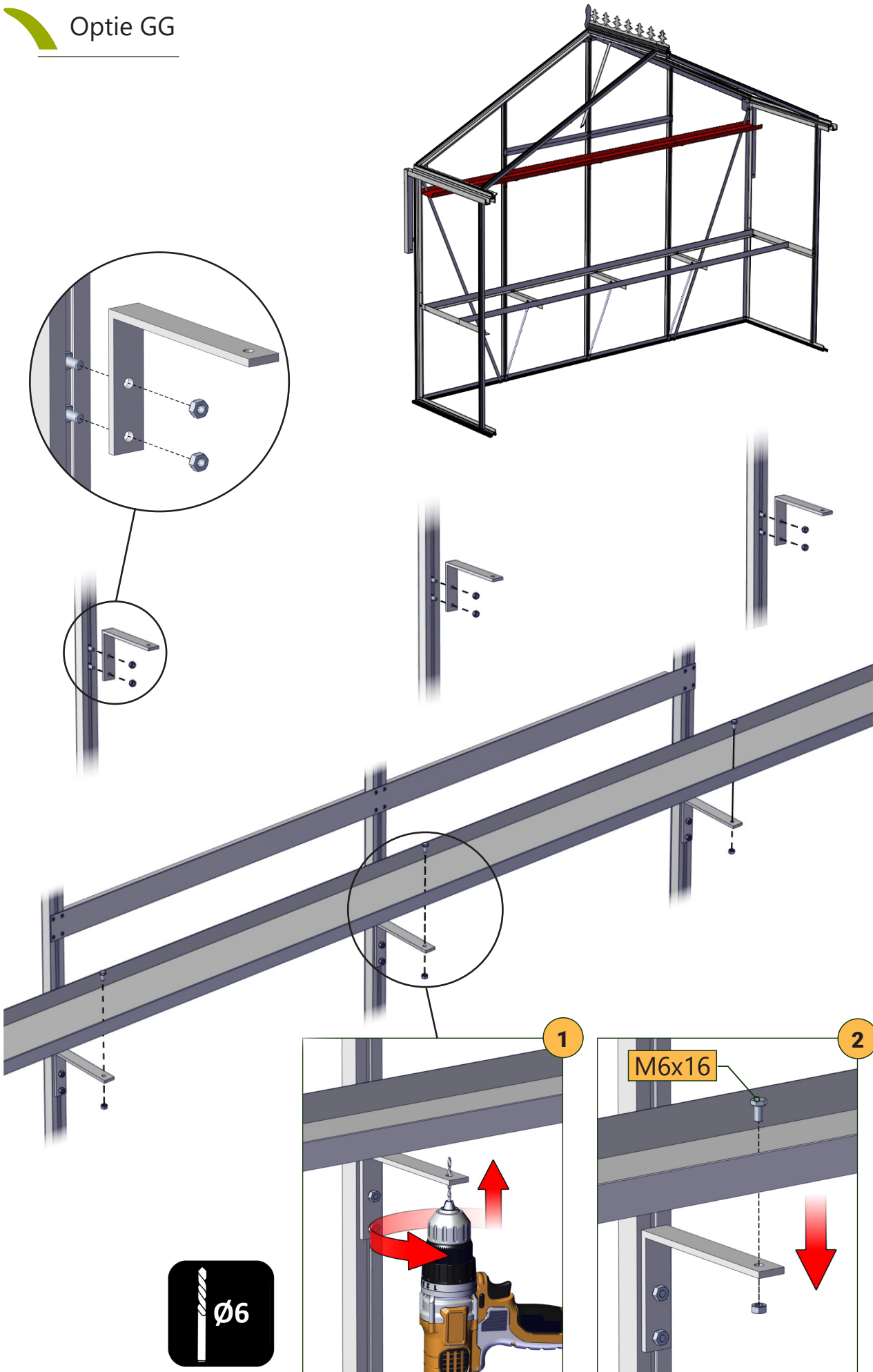


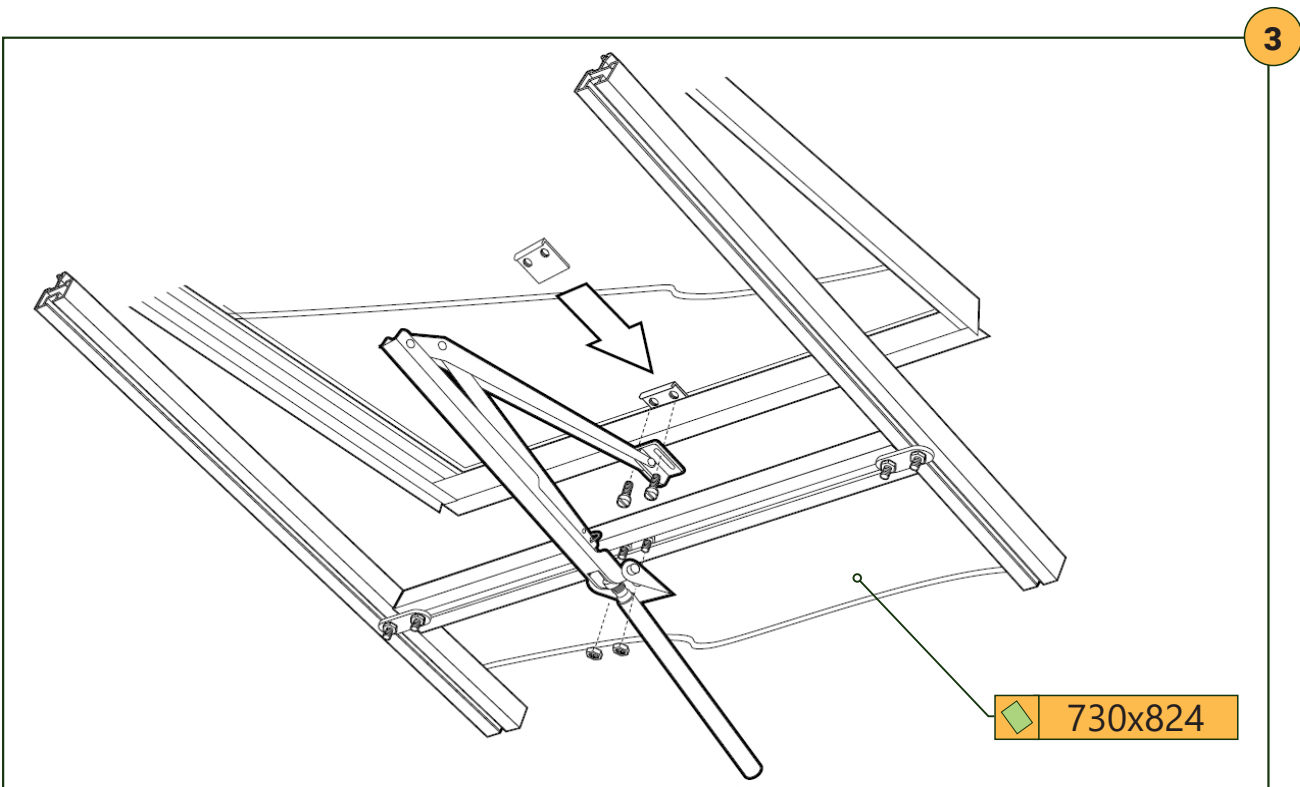
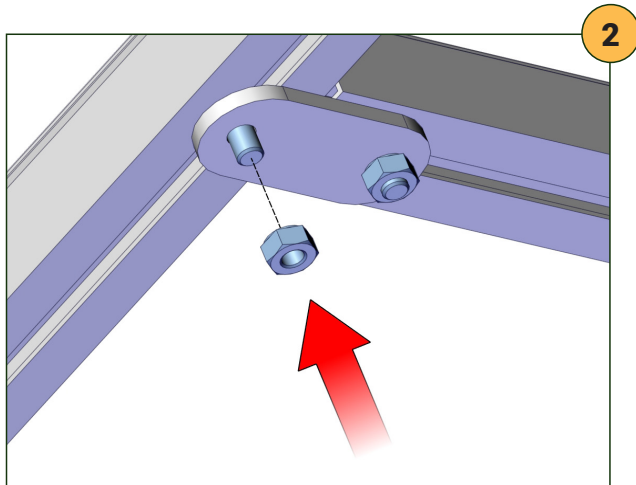
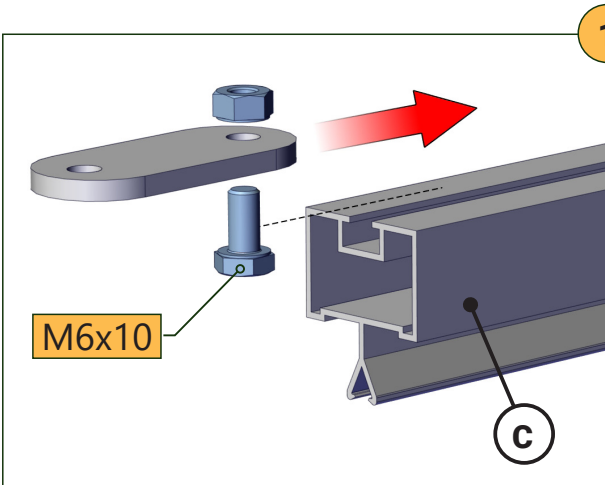
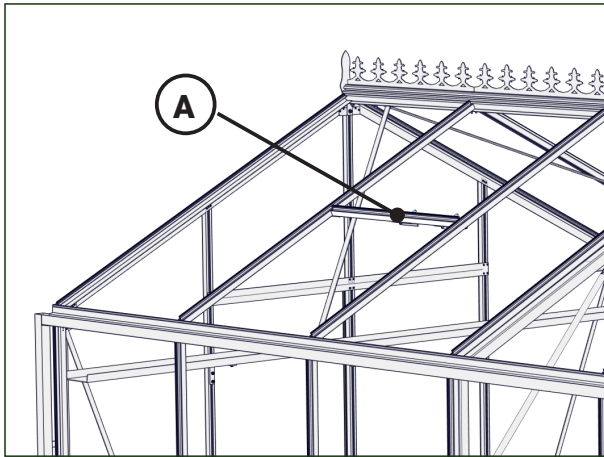
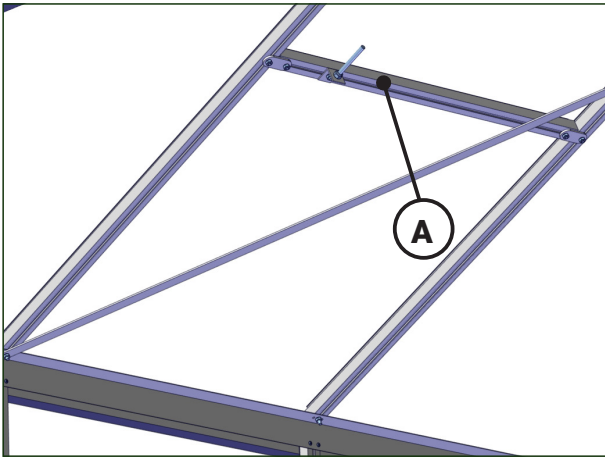
Optie GT



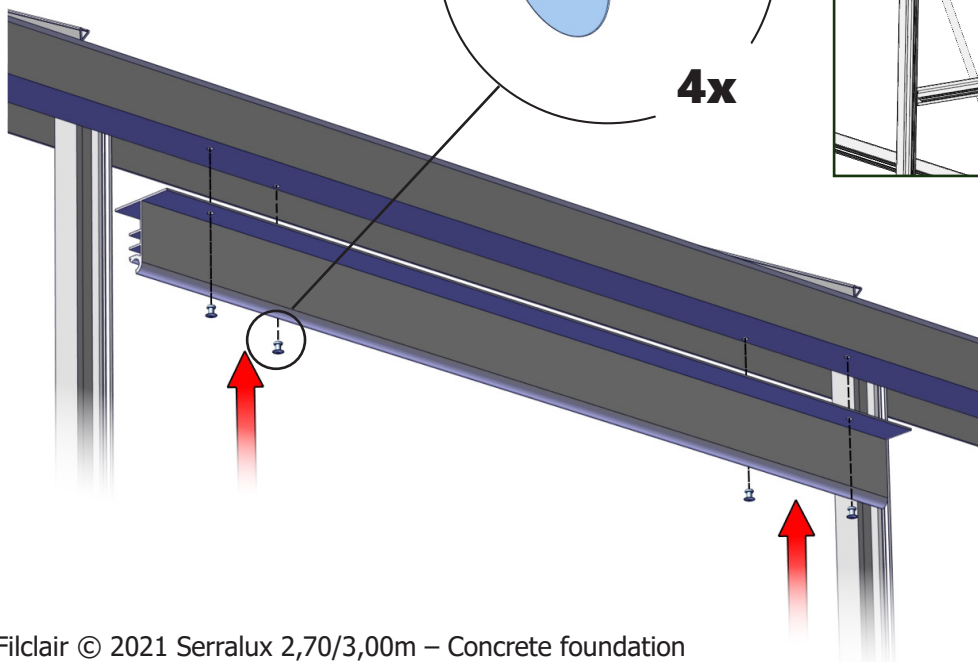
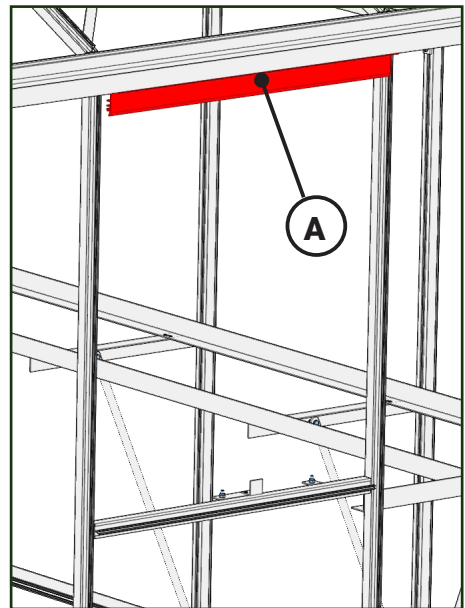
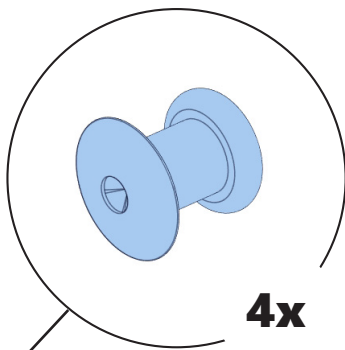
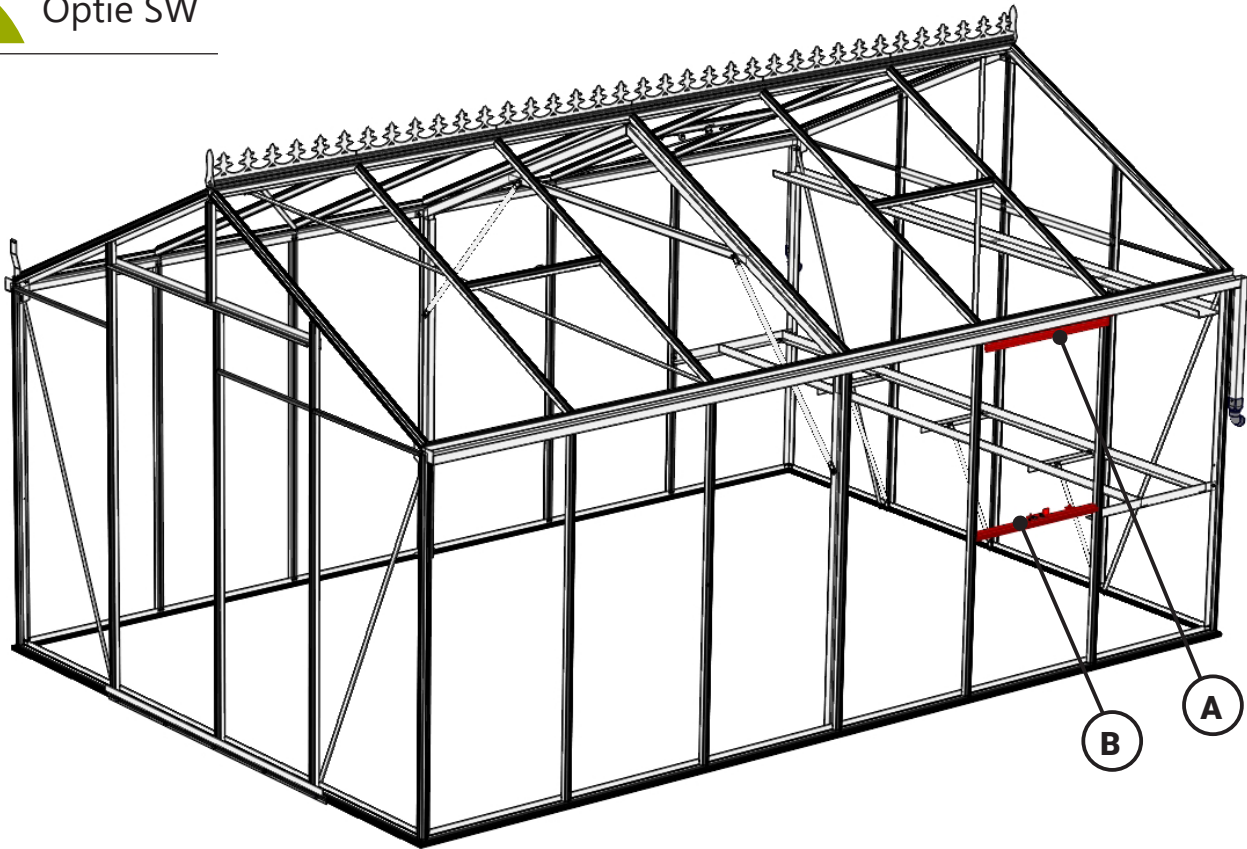
GG

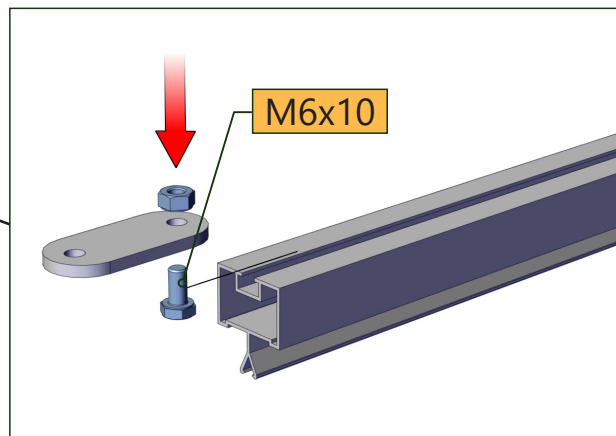
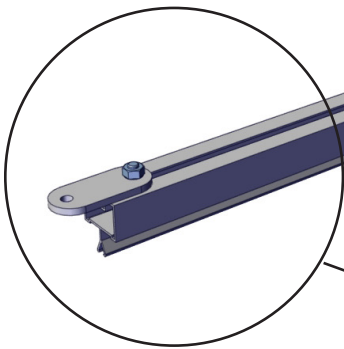
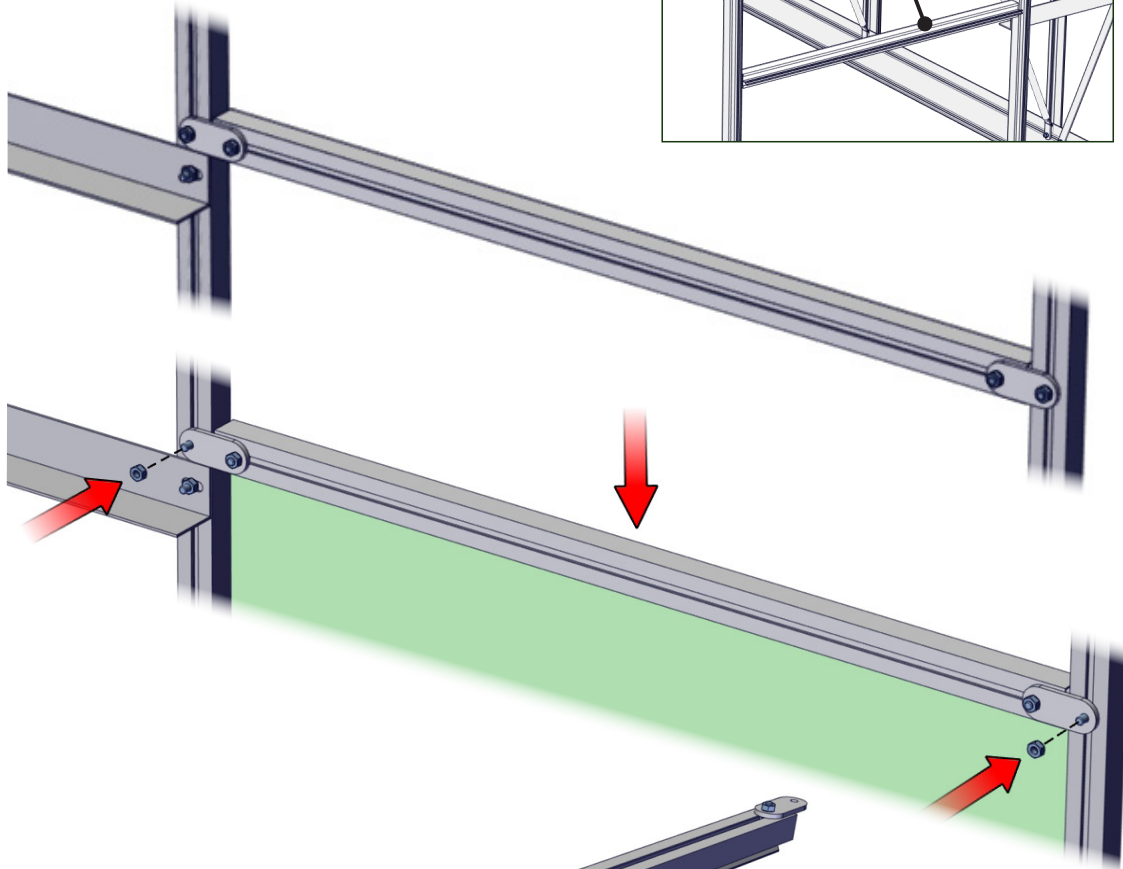
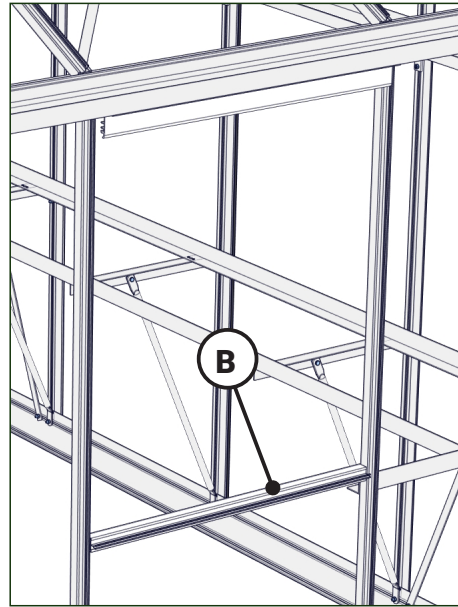
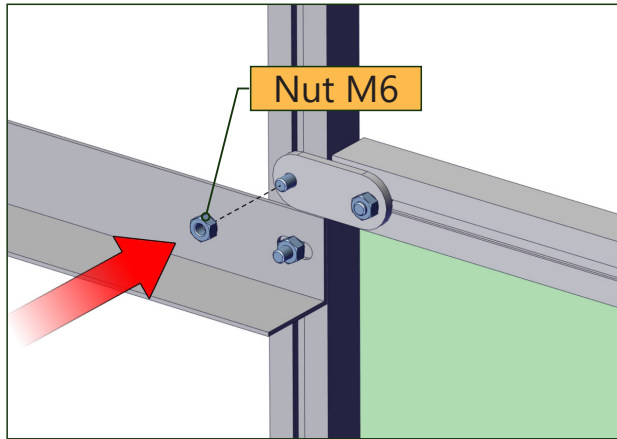












Optie SW

